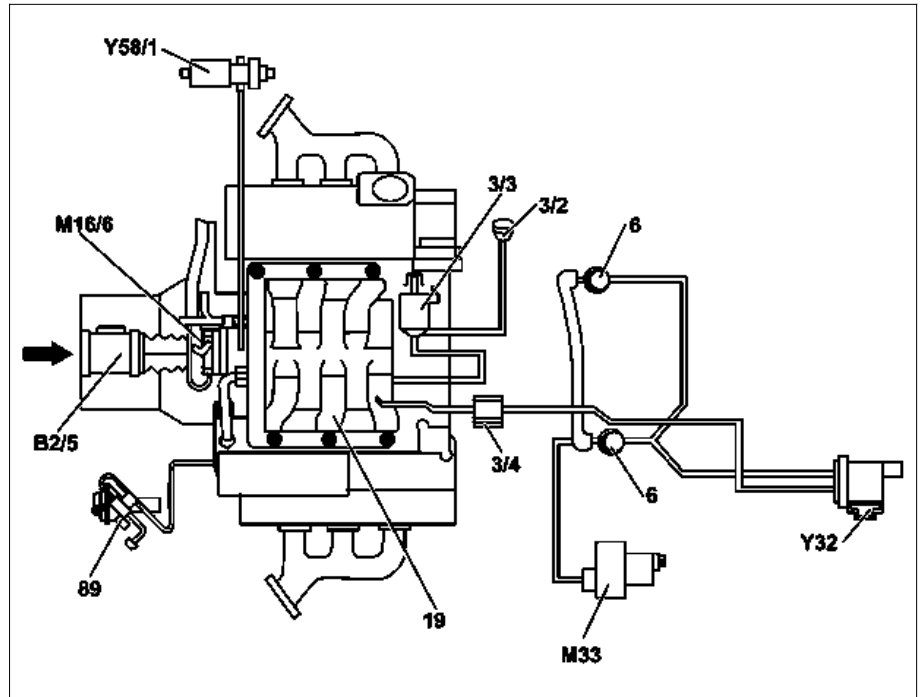


### Connection schema intake manifold Engine 112

- 3/2 Vacuum control unit control flap  
intake manifold  
3/3 Switchover valve control flap  
intake manifold  
3/4 Check valve  
6 Air injection combination valve  
19 Intake manifold
- 89 Exhaust gas recirculation valve  
B2/5 Hot film mass air flow sensor  
M16/6 Throttle valve actuator  
M33 AIR pump  
Y32 Air pump switchover valve  
Y58/1 Purge control valve



P09.20-2001-06