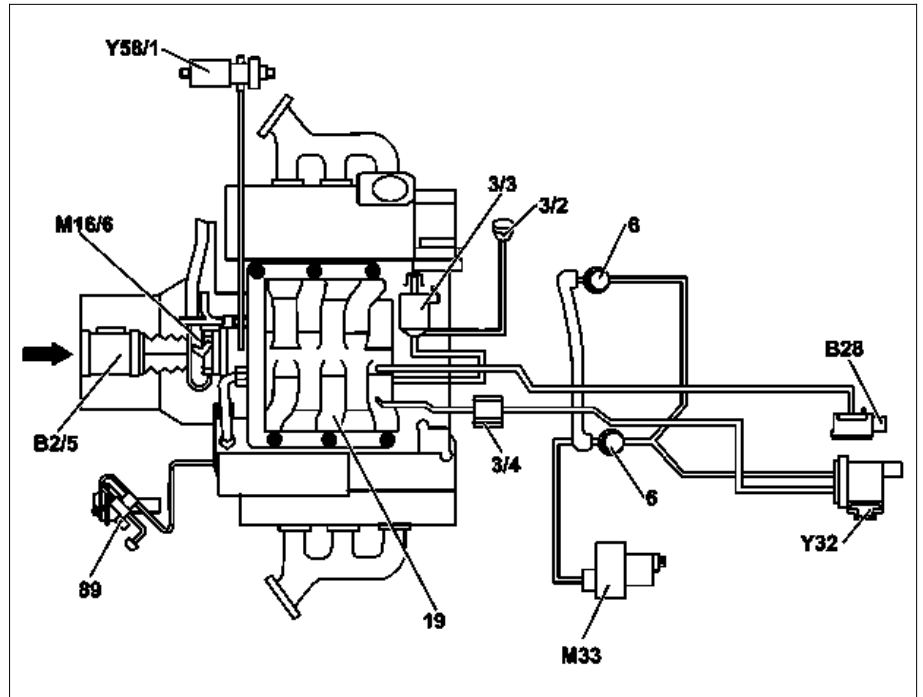


Connection diagram of intake manifold engine 112 with USA version code 494a

- 3/2 Vacuum control unit control flap intake manifold
 3/3 Switchover valve control flap intake manifold
 3/4 Check valve
 6 Air injection combination valve
 19 Intake manifold
- 89 Exhaust gas recirculation valve
 B2/5 Hot film mass air flow sensor
 B28 Pressure sensor
 M16/6 Throttle valve actuator
 M33 AIR pump
 Y32 Air pump switchover valve
 Y58/1 Purge control valve



P09.20-2002-06