

AR30.12-P-1321GH	Removing and installing accelerator pedal	4.3.97
------------------	---	--------

ENGINE 112.942 in MODEL 163.154

ENGINE 112.970 in MODEL 163.157

ENGINE 113.981 in MODEL 163.174

24 Accelerator pedal

24/1 Expanding wedge pin

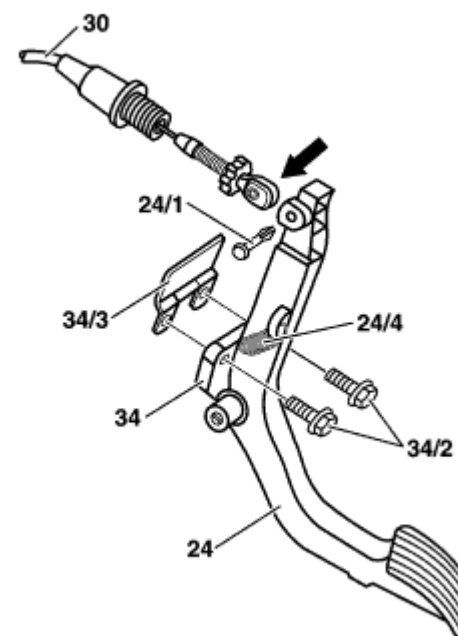
24/4 Retracting spring of accelerator pedal

30 Control cable




34 Firewall pivot point

34/2 Bolts

34/3 Locking plate



P30.12-0211-03

 	Remove, Install		
1	Detach control cable (30) at accelerator pedal (24) (arrow)	 Pull out expanding wedge bolt (24/1) in order to do this.	

2	Unscrew screws (3/4") from accelerator pedal (24)		
3	Remove accelerator pedal (24)		
4	Install in the reverse order		