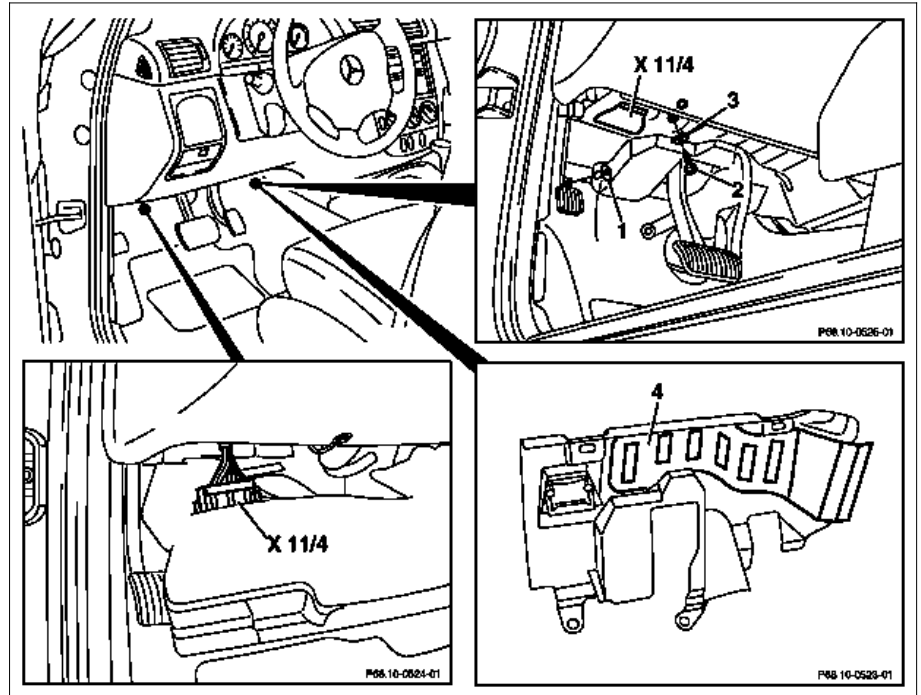


MODELS 163.113 /128 /136 /154 /157 /172 /174 /175

- 1 Plugs
 2 Bolt
 3 Clips
 4 Cover
 X11/4 Datalink connector



P68.10-0522-06

☒ ☒	Remove/install		
1	Remove plug (1)	i 2 each.	
2	Unscrew screw (2)	i 2 each.	
3	Unlock and remove data link connector (X11/4)	i Installation: Observe clips (3).	
4	Take off cover (4)		
5	Install in the reverse order		