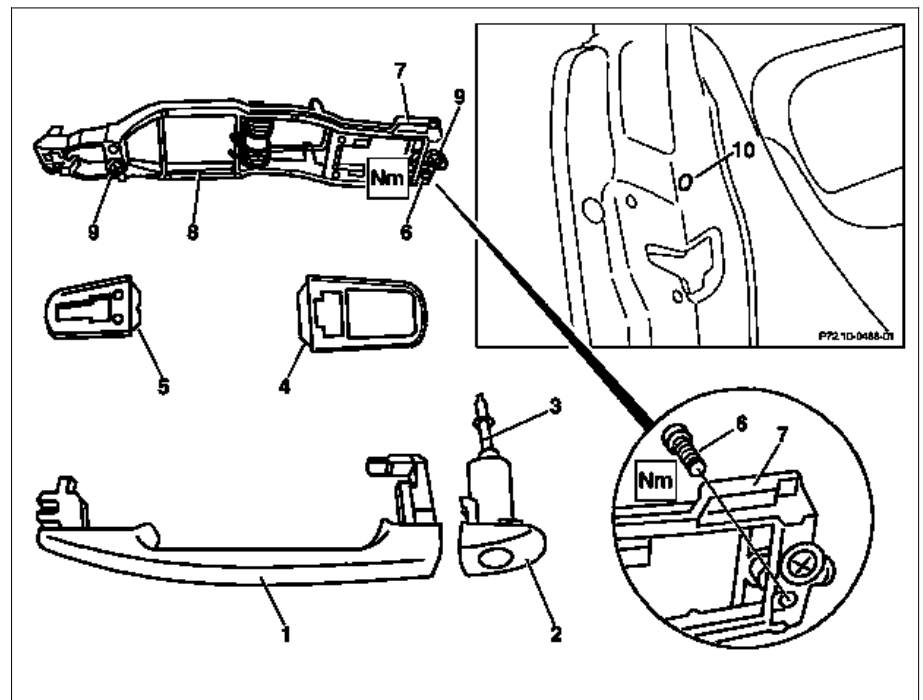


MODEL 163

- 1 Handle
- 2 Lock cylinder guide
- 3 Rotating rod
- 4 Base
- 5 Base
- 6 Screw
- 7 Retaining strap
- 8 Bearing bracket
- 9 Screw
- 10 Screw opening



P72.10-0488-06

	Removal, installation		
1	Loosen screw (6)	Accessible through opening (10) on inner side of door, loosen screw (6) max. 5 turns	
		Nm	*BA72.10-P-1003-01D
2	Pull off cylinder guide (2) outward to remove	Installation: Insert rotary rod (3) into door lock actuating mechanism	
3	Pull handle (1) toward rear together with base (4) out of bearing bracket (8)		
4	Remove base (5)	Installation: Insert base (5) into bearing bracket (8)	
5.1	Remove bearing bracket (8)	Only if bearing bracket is defective. The bearing bracket (8) can only be removed through the installation opening in the inner door panel. For this purpose ↓ Remove door liner on front door	AR72.10-P-1000GH
6	Install in opposite order		
7	Adjust clearance between handle (1) and actuating lever on door lock with eccentric adjustment screw	Eccentric adjustment screw: Accessible through opening on end of door. Use Phillips screwdriver	
8	Check for proper function		

Front door

Number	Designation	Model 163
BA72.10-P-1003-01D	Screw for door handle	Nm 3