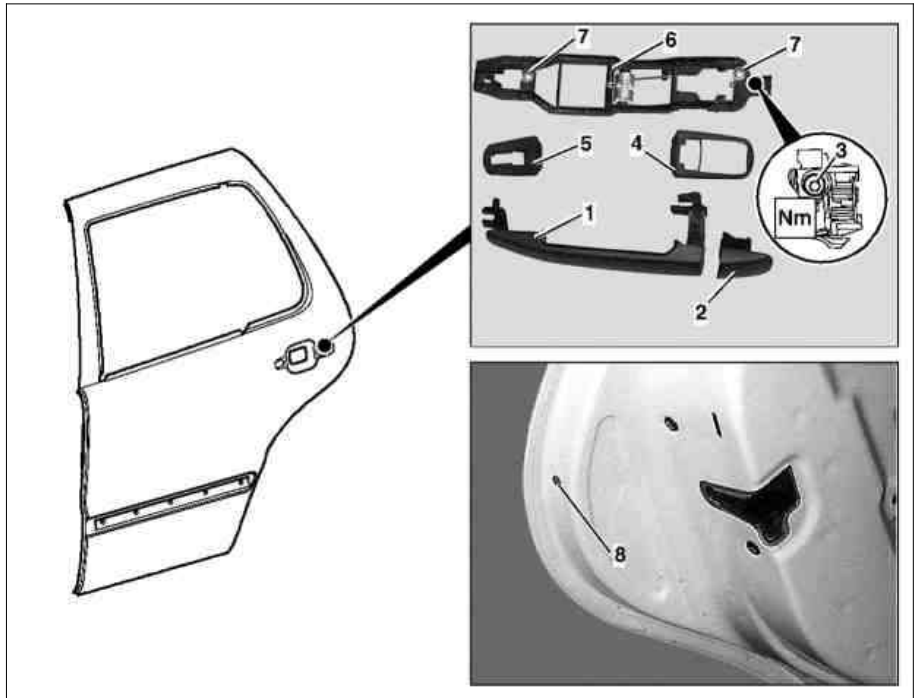


MODEL 163

- 1 Handle
- 2 Guide
- 3 Torx screw (T25x100)
- 4 Base
- 5 Base
- 6 Bearing bracket
- 7 Screws
- 8 Opening on inside of door

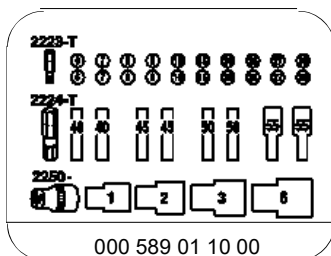


P72.12-0306-06

Remova, installation			
1	Loosen screw (3)	ⓘ Accessible through opening (8) in end of door, loosen screw (3) max. 5 turns Nm ⚙ Torx bit set	*BA72.12-P-1002-01C *000589011000
2	Remove guide (2)		
3	Pull handle (1) toward rear together with base (4) out of bearing bracket (6) and remove		
4	Remove base (5)		
5.1	Remove bearing bracket (6)	ⓘ Only if bearing bracket is defective. The bearing bracket (8) can only be removed through the installation opening in the inner door panel. For this purpose ↓ Remove door liner on rear door	AR72.12-P-1010GH
6	Install in opposite order		
7	Check for proper function		

Nm Rear door

Number	Designation	Model 163
BA72.12-P-1002-01C	Screw for door handle	Nm 1.5



Torx bit set