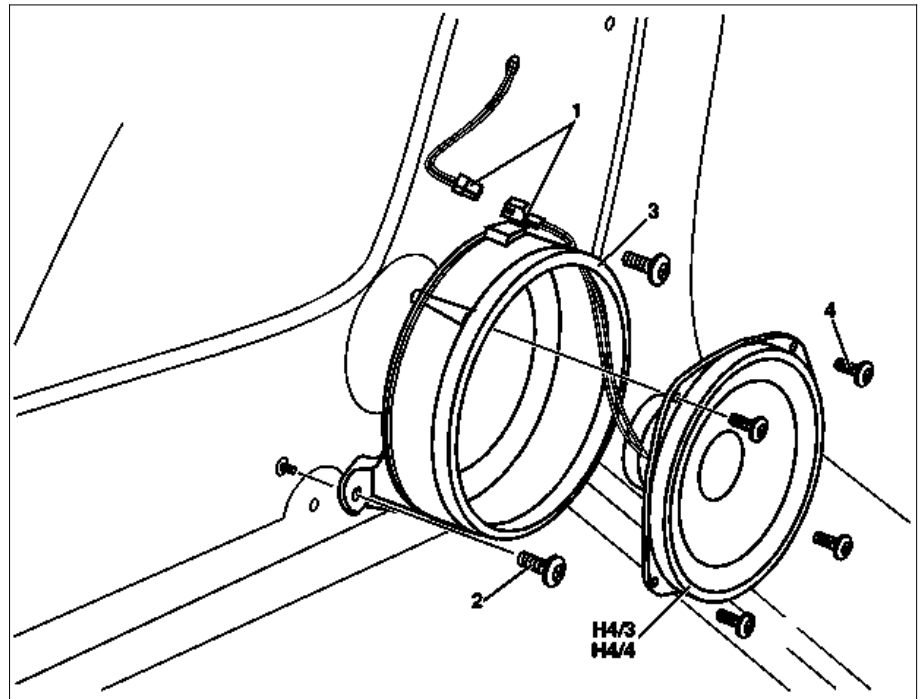


MODEL 163

- 1 Electrical connector
 2 Screw
 3 Loudspeaker housing
 4 Screw
 H4/3 Left rear door speaker
 H4/4 Right rear door speaker



P82.62-0338-06

☒ ☒	Removal, installation		
i	Switch off radio		
1	Remove door liner on rear door		AR72.12-P-1010GH
2	Disconnect electrical connector (1)		
3	Unscrew screws (2) and remove loudspeaker housing (3)		
4	Unscrew screws (4) and remove loudspeaker (H4/3, H4/4)		
5	Reinstall in opposite order		
6	Check for proper function	i Switch on radio, actuate balance control, check left and right loudspeakers	