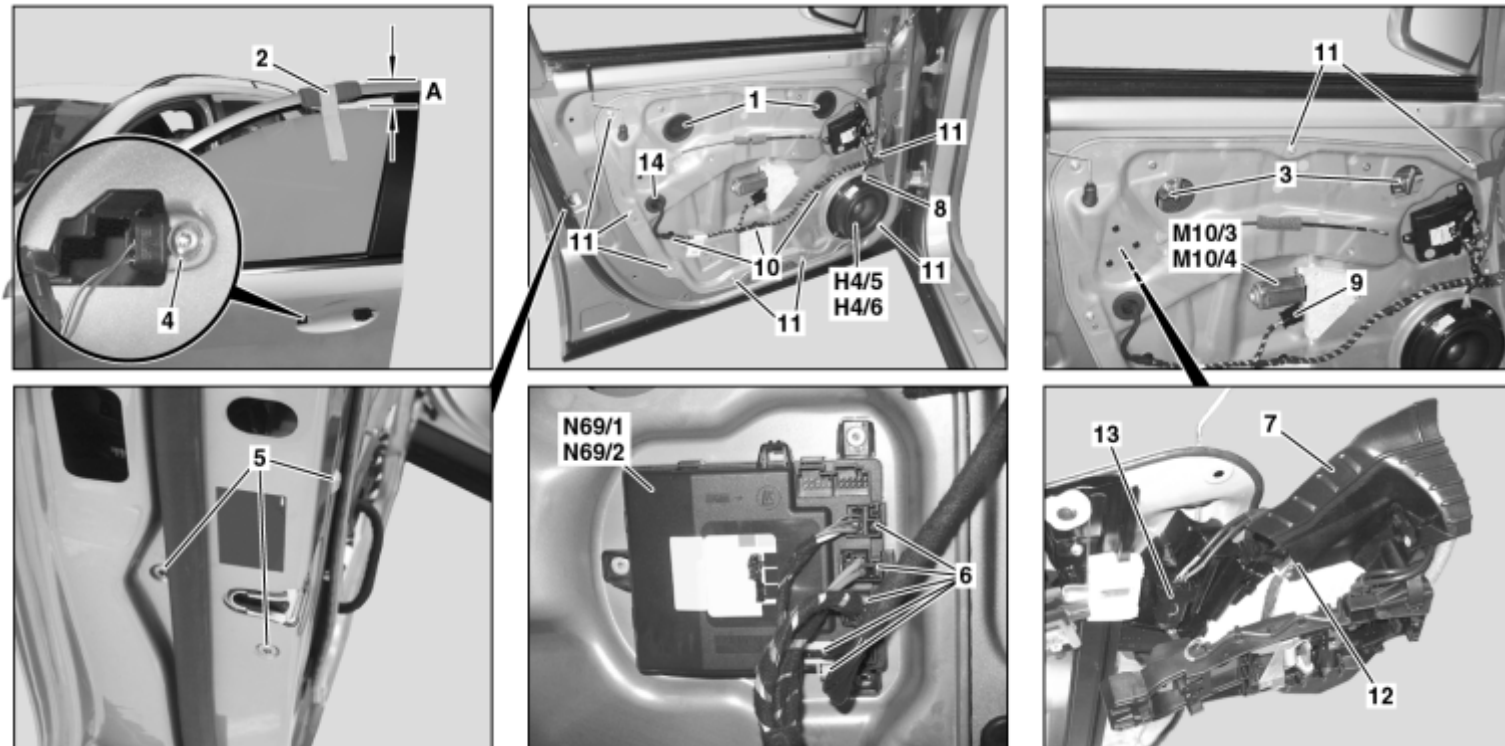


MODEL 164



P72.10-3066-09

Illustrated on model 164.1

- 1 Access opening covers
- 2 Fabric adhesive tape
- 3 Screws
- 4 Screw
- 5 Screws
- 6 Electrical connectors
- 7 Door lock
- 8 Electrical connector

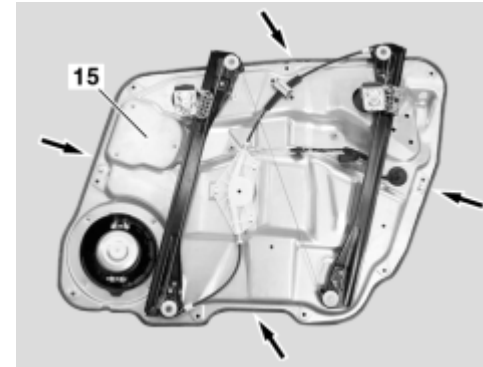
- 12 Electrical connector
- 13 Electrical connector
- 14 Rubber grommet

- H4/5 Left front door speaker
- H4/6 Right front door speaker
- M10/3 Left front power window motor

9 Electrical connector
 10 Clips
 11 Screws

M10/4 Right front power window motor
 N69/1 Door control unit front left
 N69/2 Door control unit front right

15 Door module



P72.10-3145-01

	Remove/install		
Danger!	Risk of injury due to hands being crushed when window glass is not secure	Secure window to prevent it from falling down.	AS67.00-Z-0002-01A
1	Remove front door lining		AR72.10-P-1000GZ
2	Remove outside door handle on front door		AR72.10-P-2400GZ
3	Open access opening covers (1)		
4	Close crank window (dimension A) and secure with fabric adhesive tape (2)	The bonding surfaces must be free of dust and grease, otherwise the crank window could fall down and be damaged.	
		Place a rag underneath to prevent adhesive residue from falling on the paintwork.	
		Dimension A approx. 80 mm; the screws (3) in the access openings must be accessible.	

5	Loosen screws (3)	Nm	BA72.10-P-1001-01O
6	Loosen screw (4)		
7	Slide door lock (7) toward front and unhook		
8	Remove screws (5)		
9	Disconnect electrical connectors (6) from left door control module (N69/1) or right front door control module (N69/2)		
10	Disconnect electrical connector (8) from left front door speaker (H4/5) or right front door speaker (H4/6)		
11	Disconnect electrical connector (9) from left front power window motor (M10/3) or right front power window motor (M10/4)		
12	Unclip clips (10) from door module (15)		
13	Remove screws (11)		
14	Disconnect electrical connector (12, 13) from door lock (7)	i Pull door module (15).	
15	Guide wiring harness through rubber grommet (14).		
16	Remove door module (15)	i Installation: Coat seal (arrows) with lubricant	
		Lubricant	BR00.45-Z-1012-06A
17	Install in the reverse order		

Nm Front door

Number	Designation	Model 164.1/8
BA72.10-P-1001-01O	Bolt, crank window to window lift	Nm 7

Auxiliary repair materials

--	--	--

Number	Designation	Order number
BR00.45-Z-1012-06A	Lubricant	000 989 03 67