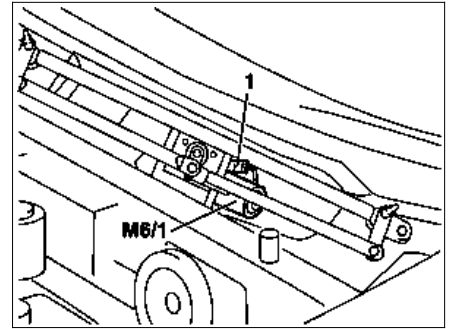
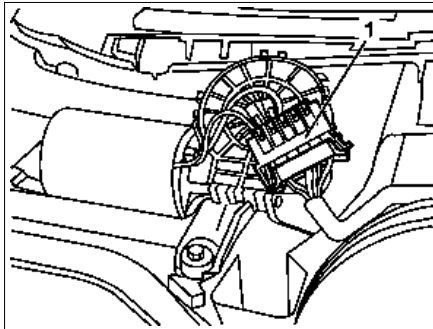


Illustrated on model 163

Procedure is shown on front wiper motor but it is the same for the rear.

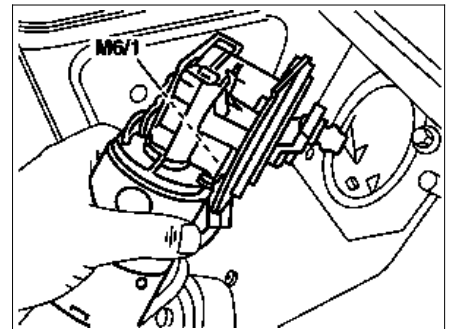


P82.30-0396-01



P82.30-0213-01

Shown on models 215, 220, 230



P82.30-0321-01

Using Model 463 as an example

- 1 Connect wiper motor (M6/1) to wiper motor connector (1).
- 2 Hold wiper motor (M6/1) using the left hand.
- 3 Switch on ignition.
- 4 Set combination switch to "stage 1".
- 5 Turn combination switch back to "level 0".
- 6 If the wiper motor (M6/1) is in the park position, switch off the ignition.
- 7 Detach wiper motor connector (1) from wiper motor (M6/1).

Helper needed for steps 3-4-5.