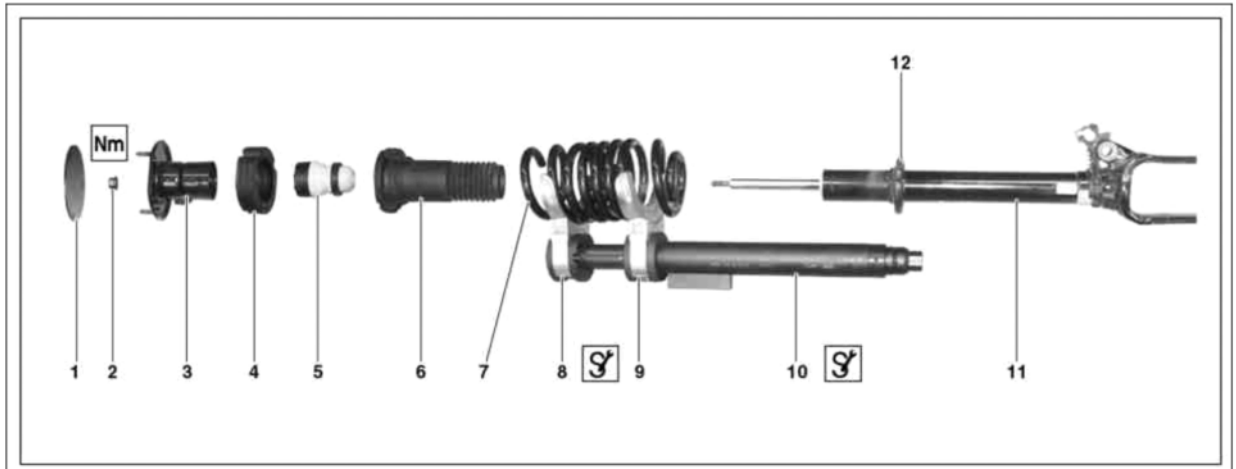


Printout

17 June 2019 12:06



P32.25-2144-08

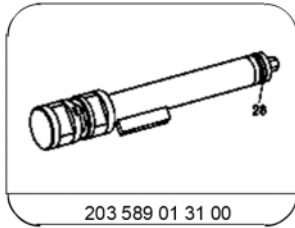
- | | | |
|-----------------------|------------------|----------------------|
| 1 Cap | 5 Stop damper | 9 Clamping plate |
| 2 Securing nuts | 6 Bellows | 10 Tensioning device |
| 3 Top spring retainer | 7 Spring | 11 Shock absorber |
| 4 Spring seat | 8 Clamping plate | |

Icon	Remove		
	Danger!	Risk of death caused by vehicle slipping or toppling off of the lifting platform.	Align vehicle between the columns of the and position the four support plates below the lifting platform support points specified by the vehicle manufacturer.
	Danger!	Risk of injury caused by pinching or crushing when working on springs or spring bodies that are under load	Use only approved tensioning devices; shield off hazard area if necessary. Inspect special tools for damage and proper operation (visual inspection). Wear protective gloves.
	Notes on self-locking nuts and bolts	All models	AH00.00-N-0001-01A
	1 Remove front suspension strut		AR32.25-P-1017GZ
	Disassemble/assemble		
	2 Clamp tensioning device (10) in vise and insert clamping plate (8, 9)	Tensioning device Tensioning plates	*203589013100 *169589026300
	3 Insert suspension strut into tensioning device (10)	When positioning the strut, attempt to get the maximum possible number of spring coils (7) in the spring clamp.	
	4 Clamp spring (7) until the upper spring cup (3) is relieved of load.		
	5 Remove cap (1)		
	6 Undo fastening nut (2) and remove shock absorber (11)	Counterhold the piston rod using a wrench socket. Nm Socket wrench	*BA32.25-P-1003-01G *164589001000
	7 Remove bellows (6) and stop damper (5)		
	8 Release tensioning device (10) and remove spring (7) with upper spring cup (3) and spring seat (4)		
	Check		
	9 Inspect shock absorber (11)	Check shock absorber (11) for leaks. A thin film of oil on the shock absorber (11) is acceptable. Replace shock absorber (11) if necessary.	AR32.25-P-0121A
	10 Check bellows (6), stop damper (5) and spring seat (4) for signs of wear	Replace any components with oil contamination, cracks or deformation.	
	11 Assemble in reverse order	Assemble suspension strut such that the upper spring cup (3) is correctly assembled and positioned on the suspension strut.	
	Install		
	12 Install front suspension strut		AR32.25-P-1017GZ

13.1 AP	Check headlamp adjustment and correct if necessary Check and correct headlamp setting	i After installing new parts.	AP82.10-P-8260GZ
-------------------	--	--------------------------------------	-------------------------

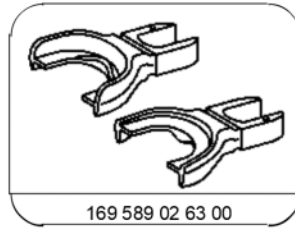
Nm Front axle shock absorber

Number	Designation	Model 164.1/8
BA32.25-P-1003-01G	Nut to piston rod	Nm 30



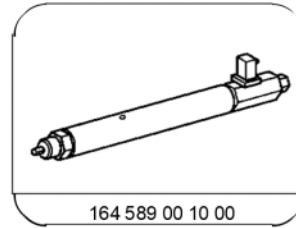
203 589 01 31 00

Tensioning device



169 589 02 63 00

Tensioning plates



164 589 00 10 00

Socket wrench