

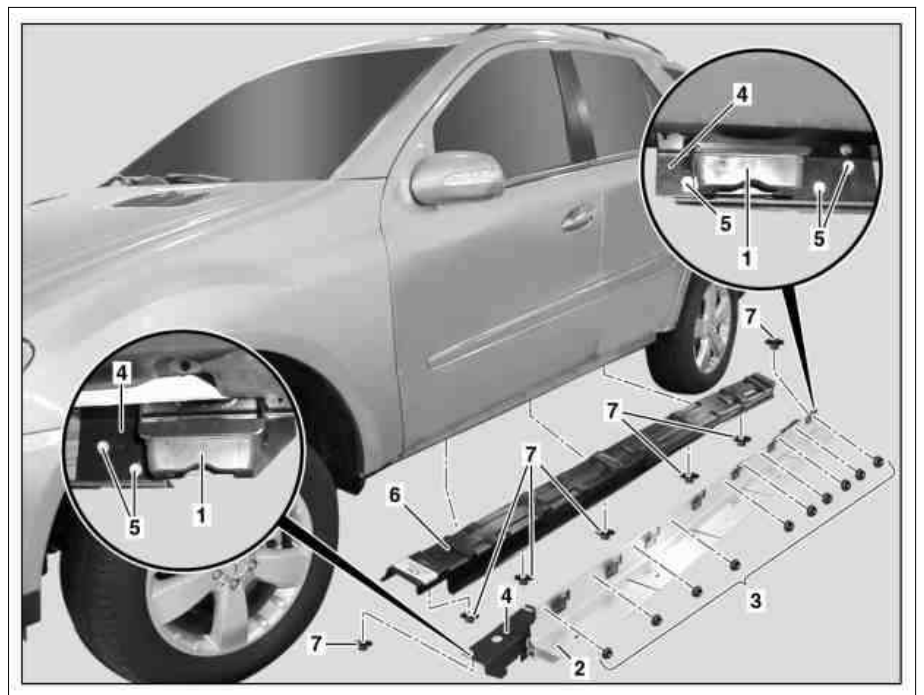
**MODEL 164**

without mud guards (accessory),  
without side step bar

8 *Running board cover*

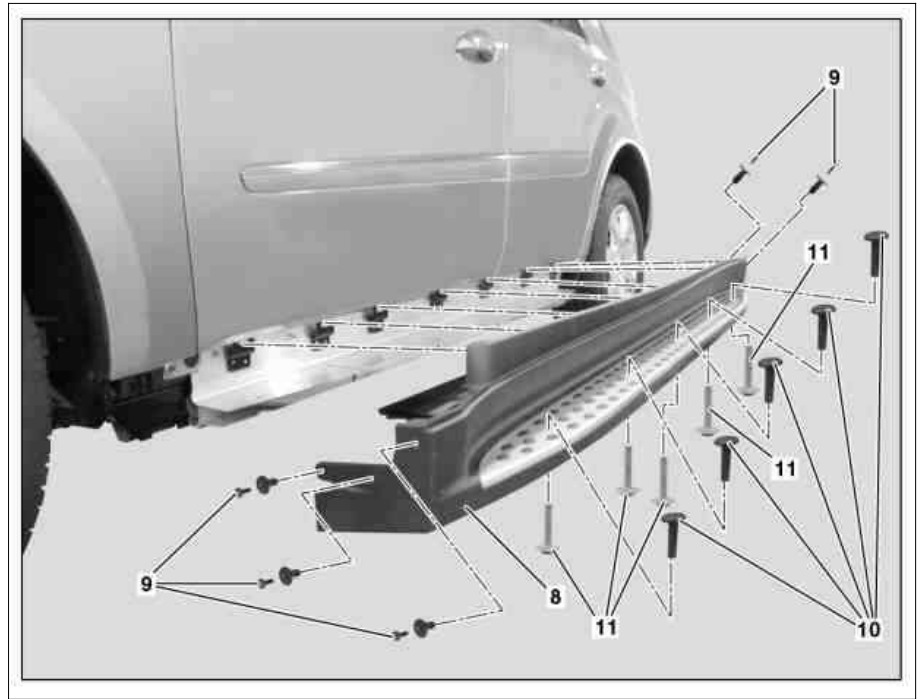
P88.30-2380-06

- 1 *Jack tubes*
- 2 *Step platform*
- 3 *Nuts*
- 4 *Bracket*
- 5 *Bolts*
- 6 *Cover*
- 7 *Nuts*



P88.30-2381-06

- 8 Running board cover
- 9 Expansion clip
- 10 Bolt inserts
- 11 Bolts



P88.30-2382-06

**Modification notes**

17.1.11	Connect, disconnect STAR DIAGNOSIS	Operation steps 12 and 14	AD00.00-P-2000-04A
	Enter new special equipment	Step 13	AN00.01-P-1001-01V
	Document retrofitted equipment using vehicle documentation (VeDoc) added	Step 15	

☒	Remove		
1	Move vehicle to ramp platform		
2	Remove longitudinal member paneling	<b>i</b> Dispose of longitudinal member paneling and retaining rails.	AR88.80-P-6000GZ
3	Remove jack tubes (1) from body	<b>i</b> Remove seam seal in mounts for vehicle jack support points (1).	
☒	Install		
4	Install stop plugs in body	<b>i</b> Instead of vehicle jack support points (1).	
5	Install running board (2) with nuts (3) in correct installation position	<b>i</b> If necessary, adjust bracket (4) at end of running board (2).	
6	Tighten bracket (4) with bolts (5)		
7	Install cover (6) with nuts (7) at bottom of longitudinal member	<b>i</b> Tighten two nuts (7) at end of bracket (4).	
8	Install vehicle jack support points (1) on bracket (4)		
9	Clip running board cover (8) into running board (2)		
10	Install expansion clips (9)		
11	Install bolt inserts (10) with bolts (11)		
12	Connect STAR DIAGNOSIS		AD00.00-P-2000-04A
13	Enter special equipment in the vehicle data card and in the vehicle's online data card	<b>i</b> Code (846) Enter running board. ↓ Initial startup of retrofits and modifications	AN00.01-P-1001-01V
14	Close STAR DIAGNOSIS		AD00.00-P-2000-04A
15	Document retrofitted equipment using vehicle documentation (VeDoc)	<b>i</b> Attach note "Running board retrofitted according to AN88.30-P-0005GZ" to field organization texts for design group 88.	
☒	Checking		
16	Check vehicle jack version	<b>i</b> Check in EPC if vehicle jack included with the vehicle equipment can still be used. If necessary, replace vehicle jack with vehicle jack compatible with running boards (2). If vehicle jack is to be replaced, also include new ratchet. Inform customer of this modification.	

**Parts ordering notes**

Part no.	Designation	Quantity
KG99 (see EPC)	Running boards	1
KG99 (see EPC)	Vehicle jack	1
KG99 (see EPC)	Ratchet	1