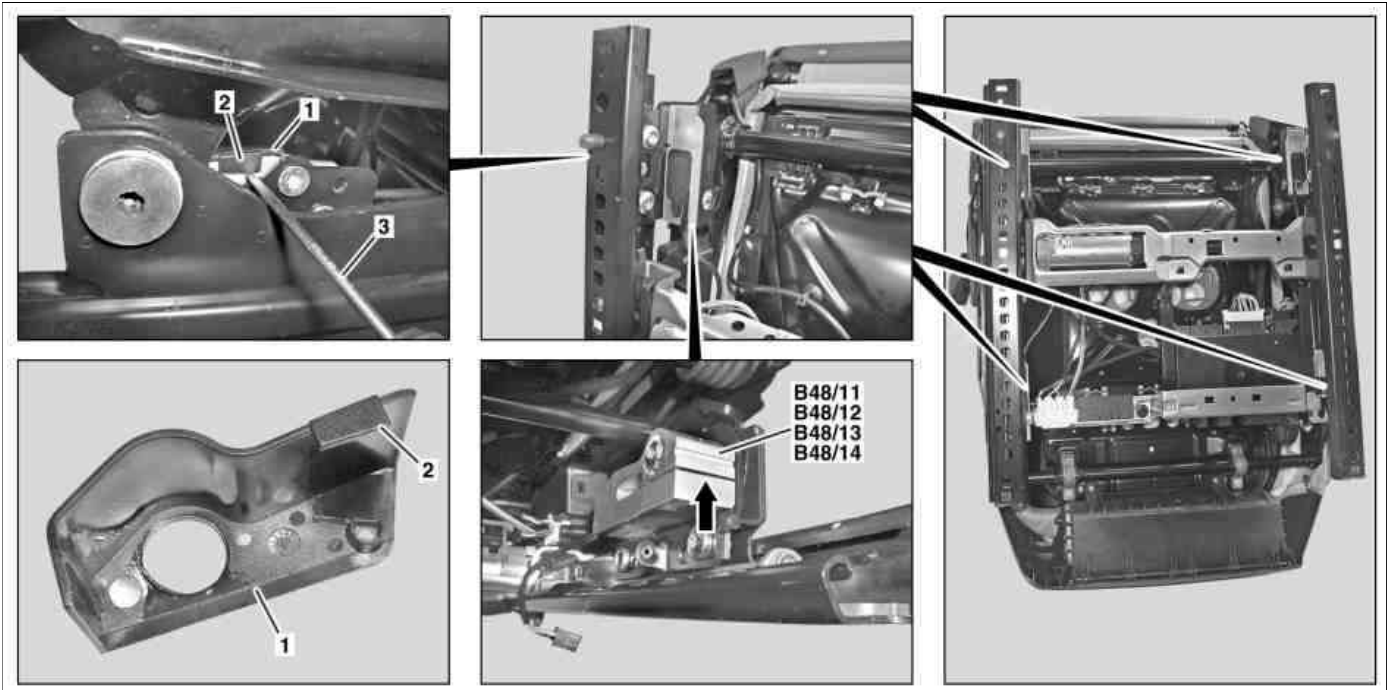


MODEL 164  
up to model year 09  
with CODE (494) USA version  
Only passenger side



P91.60-2924-09

- 1 Dust protection cap
- 2 Retaining tab
- 3 Screwdriver

- B48/11 Left front WSS (Weight Sensing System) sensor
- B48/12 Right front WSS (Weight Sensing System) sensor

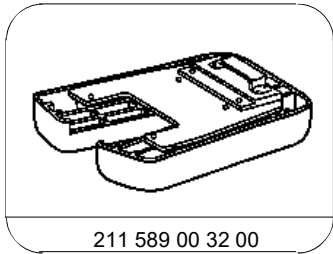
- B48/13 Left rear WSS (Weight Sensing System) sensor
- B48/14 Right rear WSS (Weight Sensing System) sensor

**Modification notes**

26.7.06	"Disconnect/connect ground line for battery" and "Perform basic programming" eliminated	Steps 1 and 7	
---------	---	---------------	--

	Remove/install		
1	Remove front passenger seat and set down on a suitable support surface leaning forward on the seat backrest		AR91.10-P-1000GZ
2	Unclip dust cap (1) from the retaining tab (2) using a suitable screwdriver (3) at the corresponding WSS (Weight Sensing System) sensor and remove dust cap (1)		
3	Check gap (arrow) on corresponding WSS sensor (Weight Sensing System) for dirt, clean gap (arrow) using a lint-free cloth if necessary	The gap (arrow) at the WSS sensor (Weight Sensing System) must not be dirty at all, otherwise it may no longer function.	
4	Install in the reverse order		
5	Calibrate left front WSS sensor (weight sensing system) (B48/11), right front WSS sensor (weight sensing system) (B48/12), left rear WSS sensor (weight sensing system) (B48/13) and right rear WSS sensor (weight sensing system) (B48/14) with STAR diagnosis system. Connect STAR DIAGNOSIS and read out fault memory	Plates	*211589003200  AD00.00-P-2000-04A





211 589 00 32 00

Plates