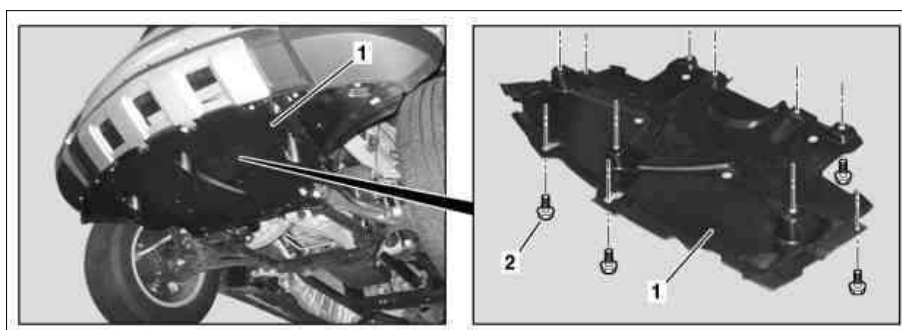


Model 164 with engine 113, 156, 272, 273

Shown on model 164.175

- 1 Engine compartment paneling
2 Bolts



P61.20-2052-04

☒ ☒	Remove/install		
	Risk of death caused by vehicle slipping or toppling off of the lifting platform.	Align vehicle between vehicle lift columns and position the four support plates at the vehicle lift support points specified by the vehicle manufacturer.	AS00.00-Z-0010-01A
1	Lift vehicle with two-post lift		AR00.60-P-1000GZ
2	Remove bolts (2)	i 11 bolts.	
3	Remove engine compartment paneling (1)		
4	Install in the reverse order		