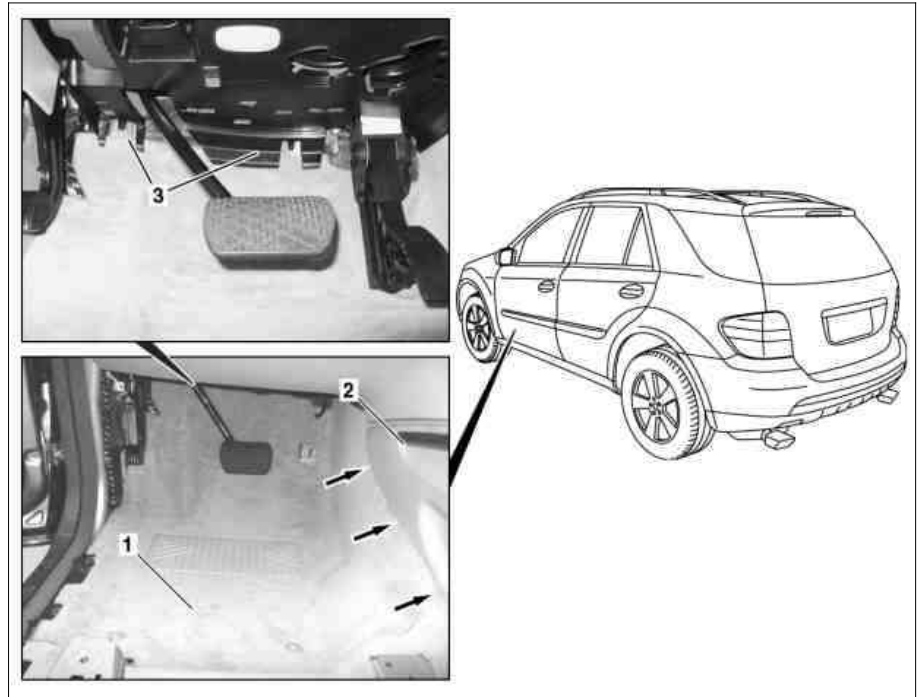


MODEL 164

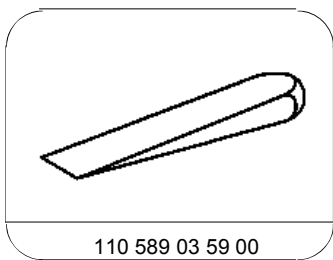
Front seat removed for better illustration. Shown on model 164.1

- 1 Front floor covering
- 2 Center console
- 3 Hook



P68.20-3257-06

☒ ☒	Remove/install		
1	Drive front seat backwards	i Only on left side	
2	Remove paneling in footwell.	i Only on left side	AR68.30-P-4010GZ
3	Remove accelerator pedal		AR30.12-P-1321GZ
4	Move out front floor coverings (1) below center console (2)	i Installation: Carefully raise center console (2) with mounting wedge (arrows) to prevent damage ☑ Mounting wedge	*110589035900
5	Remove front floor coverings (1)	i Remove toward outside through front door. i Installation: Hook front floor covering (1) into hook (3).	
6	Install in the reverse order		



110 589 03 59 00

Mounting wedge