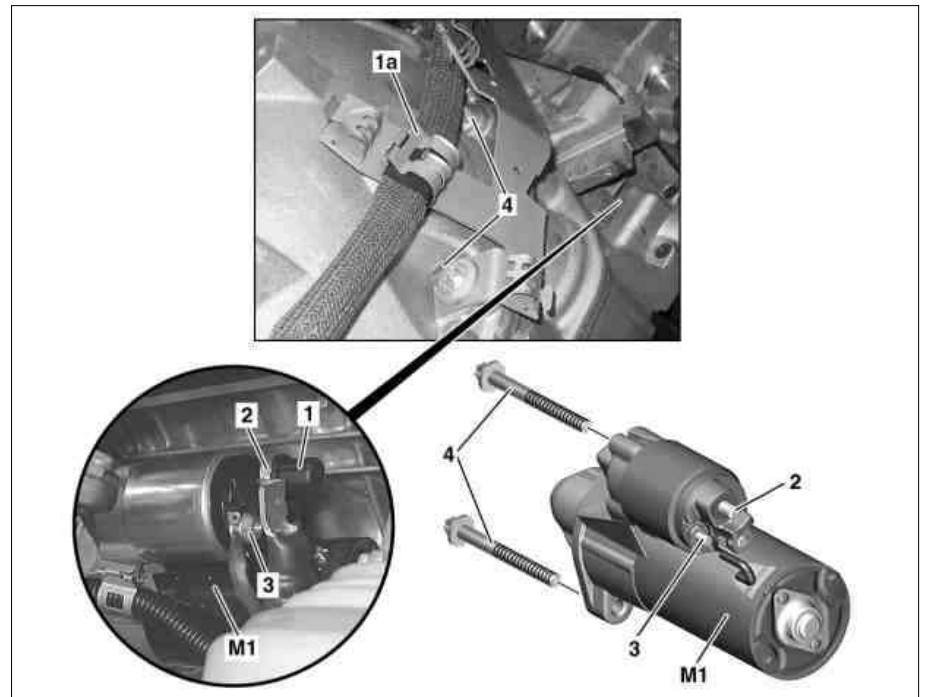


## Engine 272, 273 in model 164

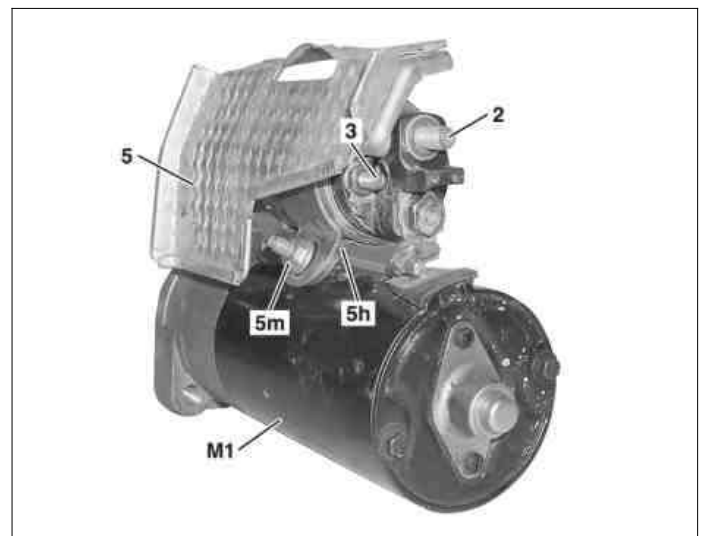
## Shown on model 164.1

- 1 Cap
- 1a Cable bracket
- 2 Electrical connection (circuit 30)
- 3 Electrical connection (circuit 50)
- 4 Screw/bolts
- M1 Starter




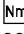
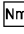


P15.30-2150-06

- 2 Electrical connection (circuit 30)
- 3 Electrical connection (circuit 50)
- 5 Heat shield
- 5h Bracket
- 5m Nut
- M1 Starter



P15.30-2167-11

	<b>Risk of death</b> caused by vehicle slipping or toppling off of the lifting platform.	Align vehicle between vehicle lift columns and position the four support plates at the vehicle lift support points specified by the vehicle manufacturer.	AS00.00-Z-0010-01A
	Notes on self-locking nuts and bolts		AH00.00-N-0001-01A
	<b>Remove/install</b>		
1	Detach ground line from battery Notes on battery		AR54.10-P-0003GZ AH54.10-P-0001-01A
2	Remove bottom engine compartment paneling		AR61.20-P-1105GZ
3	Remove right catalytic converter		AR49.10-P-7100GZA
4	Unhook nuts (5m), heat shield (5) from bracket (5h) and take off		
5	Pry off cable bracket (1a) from transmission bracket		
6	Remove screw/bolts (4) from starter (M1)	Bolt, starter to crankcase/transmission	*BA15.30-P-1003-01J

7	Move starter (M1) out of transmission bell housing	 First lower starter with attached lines to the rear, then to the front out of the transmission bell housing until the electrical connections are accessible.	
8	Detach cap (1) and detach lines from the electrical connections (2, 3) on starter (M1)	 Nut, connection for terminal designation 30  Nut, connection for terminal designation 50	*BA15.30-P-1001-01J *BA15.30-P-1002-01J
9	Remove starter (M1) from below		
	<b>Check</b>		
10	Check ring gear at the drive plate for wear and damage	When replacing the starter (M1)   Rotate engine at center Bolt, crankshaft in the direction of engine rotation. If necessary:  ↓ Replace drive plate.	AR03.30-P-8001GZA
11	Install in the reverse order		

 Starter

Number	Designation		Engine 272, 273
BA15.30-P-1001-01J	Nut, connection for terminal designation 30	Nm	15

 Starter

Number	Designation		Engine 272, 273
BA15.30-P-1002-01J	Nut, connection for terminal designation 50	Nm	8

 Starter

Number	Designation		Engine 272, 273
BA15.30-P-1003-01J	Bolt, starter to crankcase/transmission	Nm	40