

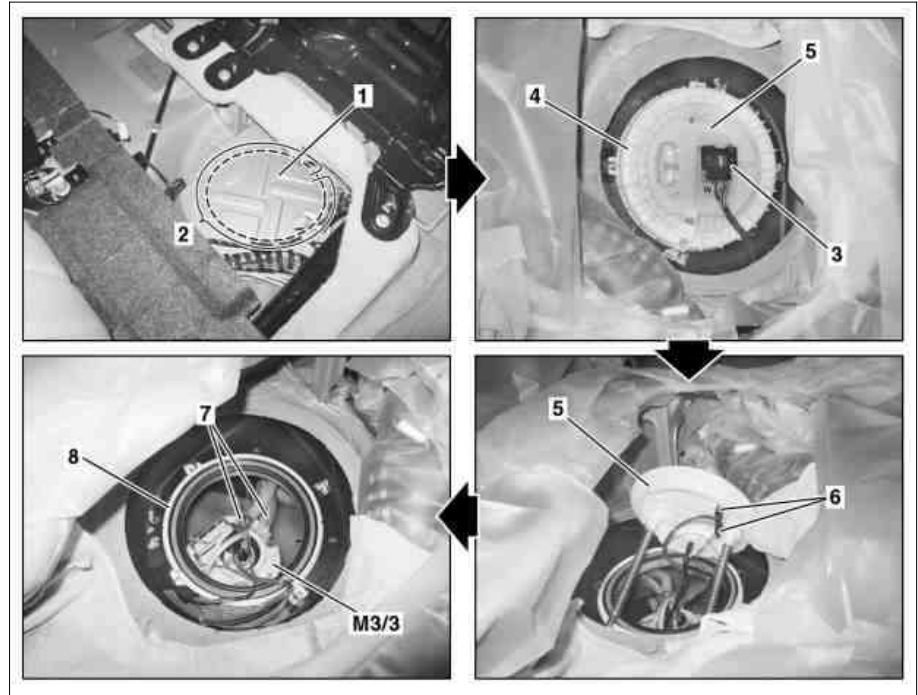
ENGINE 113, 156, 272, 273, 629, 642 in MODEL 164  
without CODE 917 (Gas-tight fuel tank)

### Modification notes

04.08.2006 "Disconnect ground line" has been removed

#### Shown on model 164.1

- 1 Right cap
- 2 Separation point
- 3 Electrical connector
- 4 Ring nut
- 5 Mounting cap
- 6 Electrical connectors
- 7 Fuel feed line, fuel return line and level line
- 8 Threaded ring
- M3/3 Fuel pump with fuel level sensor



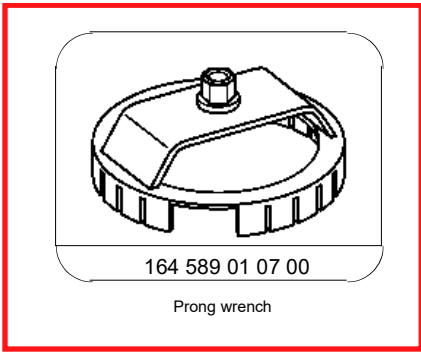
P47.10-2337-06

☒ ☒	Remove/install		
	<b>Risk of explosion</b> caused by fuel igniting, risk of poisoning caused by inhaling and swallowing fuel as well as risk of injury to eyes and skin caused by contact with fuel.	No fires, sparks, open flames or smoking. Pour fuels into suitable and appropriately marked containers only. Wear protective clothing when handling fuel.	AS47.00-Z-0001-01A
1	<del>Remove fuel tank</del>	<del>Model 164.0</del>	<del>AR47.10-P-4100GZ</del>
	<b>Only perform operation steps 2 to 6 for model 164.1</b>		
2	Pump or suction off fuel out of right-hand chamber of fuel tank	If fuel pump is intact Engine 113, 156, 272, 273 If fuel pump is defective Engine 113, 156, 272, 273, 629, 642 <b>i</b> Pump or suction off about 20 liters if fuel tank is full.	AR47.10-P-4001GZ AR47.10-P-4000GZ
3	Fold rear seat cushion forward		
4	Raise sound deadening mat and place to one side out of working area		
5	Remove cap on the right (1) at marked separation point (2) and remove	<b>i</b> <b>Installation:</b> Replace cap on the right (1) and insert with new sealing mass. <b>i</b> The right cap (1) is glued in with body sealer. Heat with hot air gun to make it easier to remove. White sealing compound, 310 ml, DBL 6069.20	*BR00.45-Z-1003-01A
6	Disconnect electrical connector (3)		
7	<b>Use pronged wrench to unscrew on ring nut (4)</b>	<b>i</b> <b>Installation:</b> The parts kit with ring nut (4), sealing ring and threaded ring (8) must be replaced. <b>Nm</b> Ring nut to fuel tank <b>S</b> Prong wrench	*BA47.10-P-1004-01J *164589010700

8	Disconnect electrical connector (6) and remove mounting cap (5)		
9	Disconnect fuel feed line, fuel return line and level line (7) from fuel pump with fuel level sensor (M3/3)	<b>i</b> Level line is used for adjusting fuel level of both halves of tank.	
10	Remove swirl pot and fuel pump with fuel level sensor (M3/3)		
11	Install in the reverse order		
12	Connect STAR DIAGNOSIS, read and erase diagnostic trouble code memory		
<b>AD</b>			AD00.00-P-2000-04A
<b>Check</b>			
13	<b>Risk of accident</b> from vehicle starting off by itself when engine running. <b>Risk of injury</b> (bruises and burns) resulting from working on the engine while it is being started or when it is running. Carry out engine test run and check fuel system for leaks	Secure vehicle to prevent it from starting off by itself. Wear closed and snug-fitting work clothes. Do not touch hot or rotating parts.	AS00.00-Z-0005-01A

**Nm** Fuel tank

Number	Designation	MODEL 164.1/8
BA47.10-P-1004-01J	Ring nut to fuel tank	Nm 110=81 ft. lbs



Repair materials

Number	Designation	Order number
BR00.45-Z-1003-01A	White sealing compound, 310 ml, DBL 6069.20	A 001 989 63 20