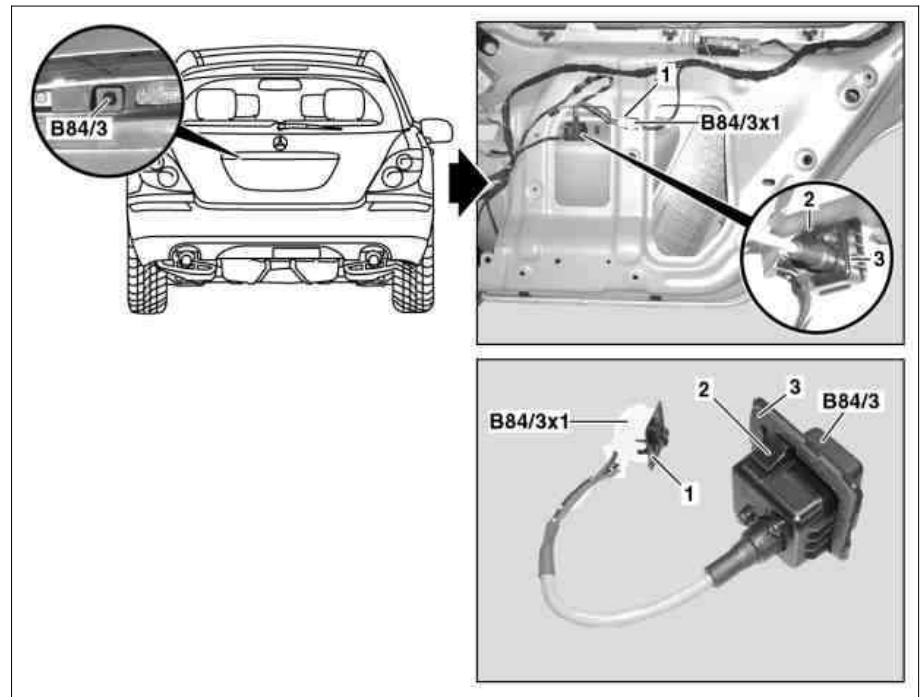


Model 164, 251
with code 218 (Rear view camera)

Shown on model 251

- 1 Retaining clip
2 Retaining clip
3 Bracket
B84/3 Backup camera
B84/3x1 Backup camera connector



P54.65-3155-06

	Information on preventing damage to electronic components due to electrostatic discharge		AH54.00-P-0001-01A
	Remove/install		
1	Switch off ignition and remove transmitter key		
2	Remove handle strip from liftgate	Model 164 Model 251	AR72.20-P-3650GZ AR72.20-P-3650RT
3	Detach connector from reversing camera (B84/3x1), twist retaining clip (1) and detach from liftgate		
4	Press in retaining clip (2) and remove reversing camera (B84/3) with bracket (3) outwards and out of the liftgate		
5	Install in the reverse order		
6	Calibrate reversing camera (B84/3) using diagnostic system	Model 164, 251 with code 218 (Rear view camera) Model 164 with code 218 (Rear view camera) with code 498 (Japanese version) except code 849 (Spare wheel carrier) Model 251 with code 218 (Rear view camera) with code 498 (Japanese version)	AR54.65-P-0022GZ