

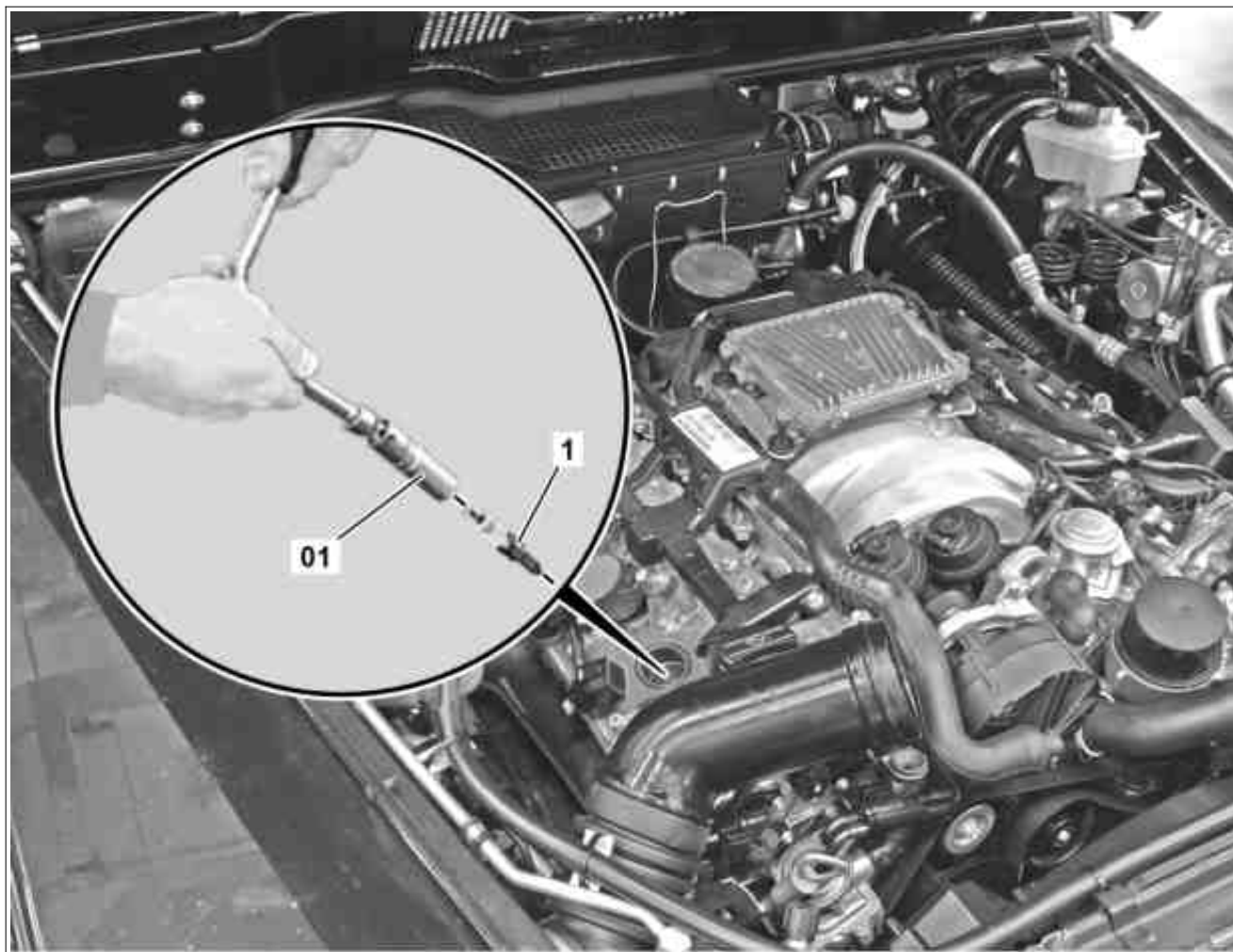
Engine 157, 276, 278 in model 166

Engine 272, 273 in model 164

Shown on engine 273 in model 463

01 Spark plug wrench

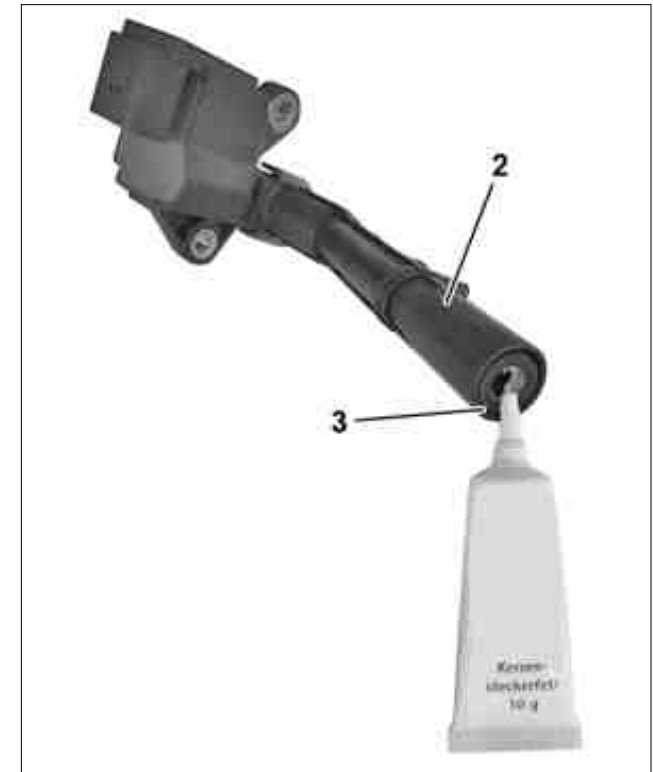
1 Spark plug



P15.10-2306-06


**Shown on ignition coil in engine 157.980**

- 2 Spark plug connector
- 3 Rubber lip



P15.10-2579-02

<b>Danger !</b>	<b>Risk of injury.</b> Skin or eye injuries may result when handling hot or glowing objects.	Wear protective gloves, protective clothing and safety glasses, if necessary.	AS00.00-Z-0002-01A
<b>Danger !</b>	<b>Risk of death</b> caused by contact with parts conducting high voltages.	Do not touch parts which conduct high voltages. Persons who have electronic implants (e.g. cardiac pacemakers) may not perform any work on the ignition system.	AS15.10-Z-0001-01A
	Information on avoiding damage when replacing spark plugs		AH15.10-P-0002-02A
	<b>Remove</b>		
1 AR	Enable high voltage on-board electrical system	Model 164.195	AR54.10-P-1150GZH
2	Remove power electronics with power distributor	Model 164.195	

 AR			AR08.10-P-0011GZH
3	Remove hose between air filter housing and intake manifold	Model 164.195	
4	Remove ignition coils	Engine 157, 278 Engine 272, 273 Engine 276	AR15.12-P-2003MLJ AR15.12-P-2003GZA AR15.12-P-2003GQ
 AR  AR  AR			
	<b>Clean</b>		
5	Blow out any dirt residue in the spark-plug recesses using compressed air	 Record plug  Set of protective covers	*129589009100 *001589019100
	<b>Remove</b>		
6	Remove spark plugs (1) using spark plug wrench (01) from cylinder heads	 Motor 157, 276, 278 Spark plug wrench  Motor 272, 273 Spark plug wrench	*278589000900 *112589010900
	<b>Install</b>		
7	Screw new spark plugs (1) using spark plug wrench (01) into cylinder heads	 Spark plug to cylinder head  Motor 157, 276, 278 Spark plug wrench  Motor 272, 273 Spark plug wrench	*BA15.10-P-1001-01C *278589000900 *112589010900
	<b>Check</b>		
8	Check spark plug connector (2), ignition coils and ignition lines for damage, deformation and crack formation	If there are problems:  ↓ Rectify problem subject to separate repair order.	
	<b>Install</b>		
9	Grease rubber lips (3) of spark plug connectors (2) using spark plug connector grease before installation	Spark plug connector grease	*BR00.45-Z-1102-06A
10	Install ignition coils	Engine 157, 278	AR15.12-P-2003MLJ

AR		Engine 272, 273	AR15.12-P-2003GZA
AR		Engine 276	AR15.12-P-2003GQ
11	Install hose between air filter housing and intake manifold	Model 164.195	
12	Install power electronics with power distributor	Model 164.195	
AR			AR08.10-P-0011GZH
13	Switch on high voltage on-board electrical system	Model 164.195	
AR			AR54.10-P-1150GZH

**Nm** Spark plugs

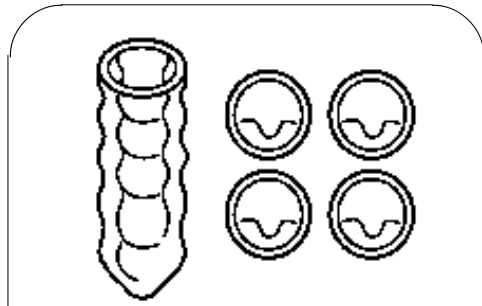
Number	Designation		Engine 157	Engine 272
BA15.10-P-1001-01C	Spark plug to cylinder head	Nm	23	23

**Nm** Spark plugs

Number	Designation		Engine 273	Engine 276
BA15.10-P-1001-01C	Spark plug to cylinder head	Nm	23	23

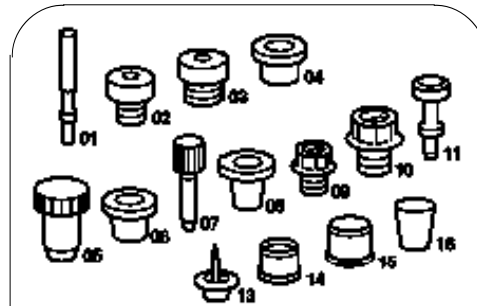
**Nm** Spark plugs

Number	Designation		Engine 278
BA15.10-P-1001-01C	Spark plug to cylinder head	Nm	23



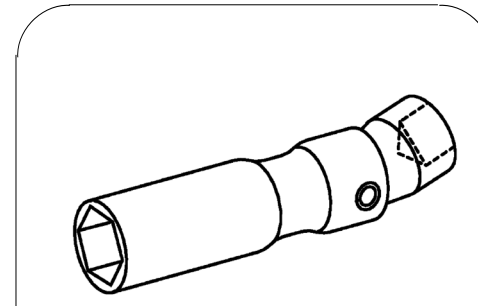
001 589 01 91 00

Set of protective covers



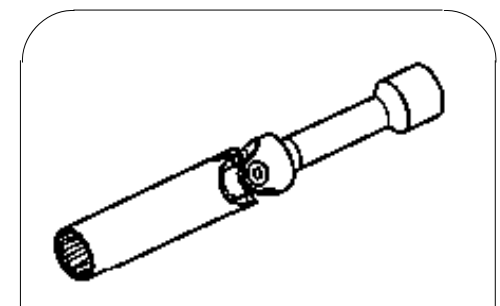
129 589 00 91 00

Record plug



112 589 01 09 00

Spark plug wrench



278 589 00 09 00

Spark plug wrench

**Repair materials**

Number	Designation	Order number
BR00.45-Z-1102-06A	Spark plug connector grease	A 002 989 80 51