



W/X 166 – Sealing bodyshell openings

Page 20-40

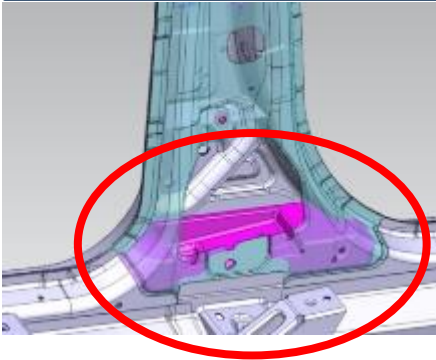
Date of issue: 2016.10.21
GSP/TPB I



Mercedes-Benz

BR166 - Sealing bodyshell openings

Fault location
B-pillar, bottom



Cut removed foam piece to size



Cut removed foam piece to size



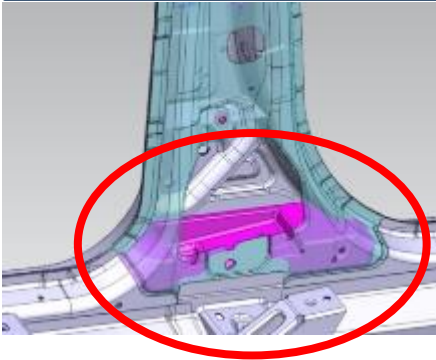
Item number
A 166 682 87 00



Note: Perform task on left- and right-hand sides. Cut removed foam piece to size. For details, see next slide.

BR166 - Sealing bodyshell openings

Fault location
B-pillar, bottom



Install foam piece



Direction of travel

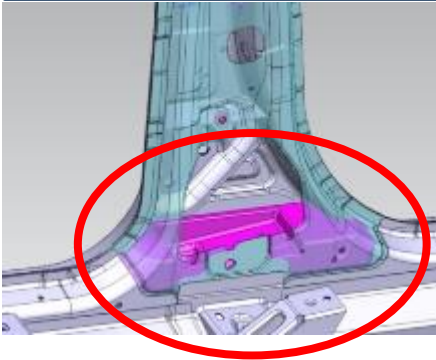
Foam piece installed



Note: Perform task on left- and right-hand sides. Depicted on left-hand side of vehicle. The foam pieces should fill the bodyshell openings in the longitudinal member.

BR166 - Sealing bodyshell openings

Fault location
B-pillar, bottom



Apply acoustic foam to entire surface



Direction of travel

Foam piece installed



Item number

A 000 989 35 73

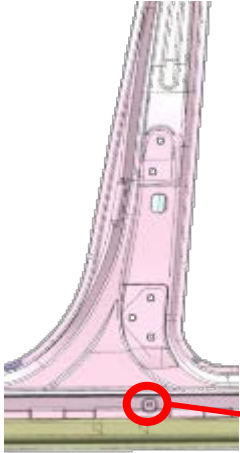
A 166 682 87 00



Note: Ensure that the entire surface in the foot of the B-pillar is coated with acoustic foam, then install the new left-hand foam piece A166 682 87 00. **Caution:** It must be ensured that the function of the seat belt is not compromised after the foam has been applied and the foam piece has been installed. Recommendation: Wear protective gloves.

BR166 - Sealing bodyshell openings

Fault location
B-pillar, bottom, outside



Item number
A 000 989 35 73



Area to be worked on



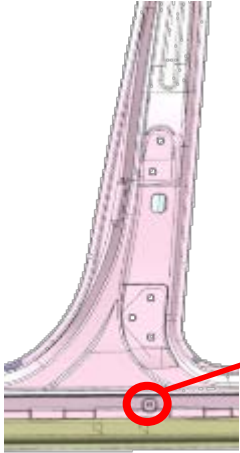
Bodyshell hole open



Note: Perform task on left- and right-hand sides. Expansion plug is located under the longitudinal member panel or the running board. For details, see next slide.

BR166 - Sealing bodyshell openings

Fault location
B-pillar, bottom, outside



Item number
A 000 989 35 73



Fill bodyshell hole with foam



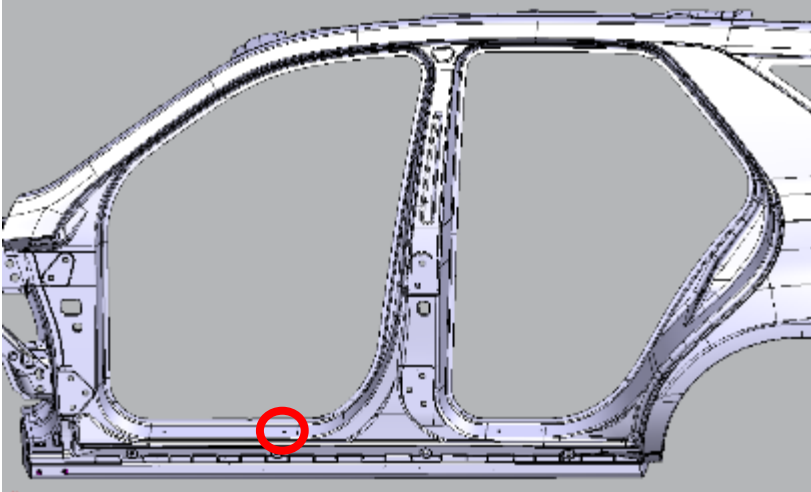
Fill bodyshell hole with foam



Note: Perform task on left- and right-hand sides. Fill specified area with foam for approx. 5-6 seconds with the pistol trigger fully depressed, pulling the hose out slowly in the process. Fill the specified area with foam toward the front (in the direction of travel) and toward the rear. After filling with foam, seal the bodyshell hole with the expansion plug. (Prevents the foam from escaping)

BR166 - Sealing bodyshell openings

Fault location
Door sill, outside, front



Item number
A 000 989 35 73



Fill bodyshell hole with foam

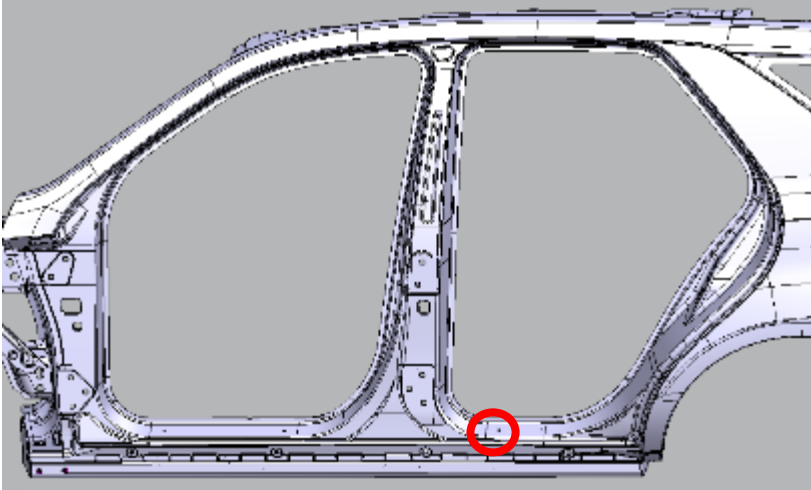


Caution: Depicted on right-hand side of vehicle

Note: Perform task on left- and right-hand sides. Bodyshell hole is located under the glued door sill panel. Fill specified area with foam for approx. 4-5 seconds with the pistol trigger fully depressed, pulling the hose out slowly in the process. Fill the specified area with foam only toward the rear in the direction of the B-pillar. After filling with foam, seal the bodyshell opening with adhesive tape. (Prevents the foam from escaping)

BR166 - Sealing bodyshell openings

Fault location
Door sill, outside, rear



Item number
A 000 989 35 73



Fill bodyshell hole with foam

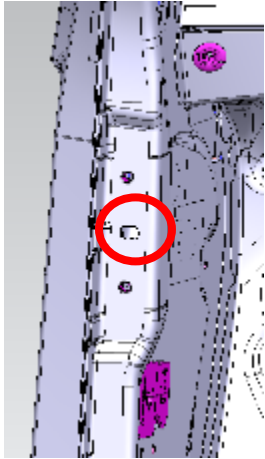


Caution: Depicted on right-hand side of vehicle

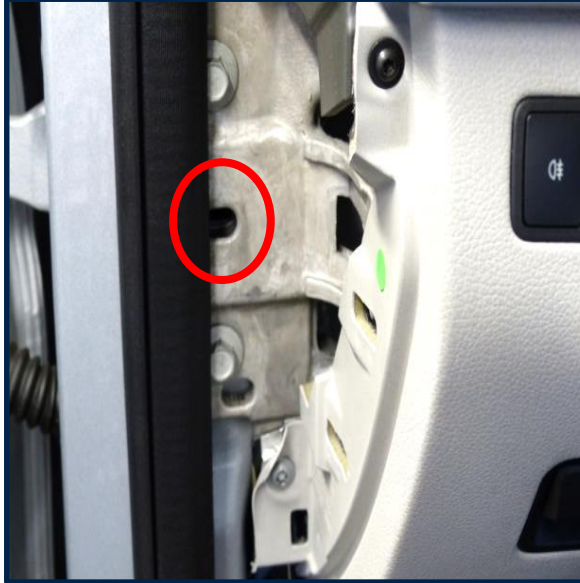
Note: Perform task on left- and right-hand sides. Bodyshell hole is located under the glued door sill panel. Fill specified area with foam for approx. 4-5 seconds with the pistol trigger fully depressed, pulling the hose out slowly in the process. Fill the specified area with foam only toward the front in the direction of the B-pillar. After filling with foam, seal the bodyshell opening with adhesive tape. (Prevents the foam from escaping)

BR166 - Sealing bodyshell openings

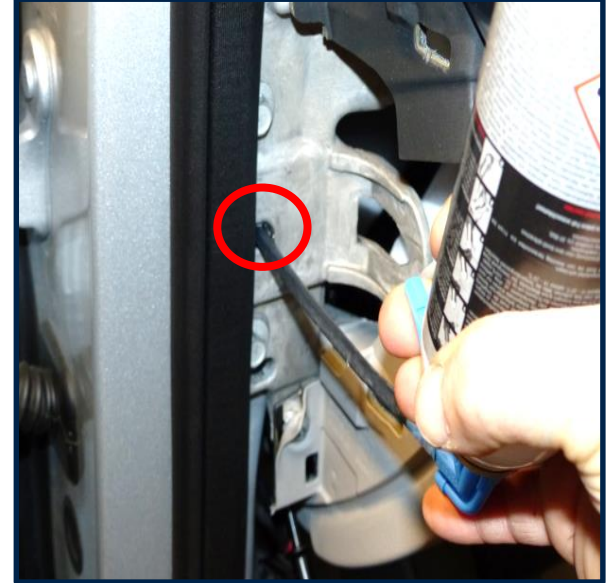
Fault location
A-pillar, top, inside



Bodyshell holes open



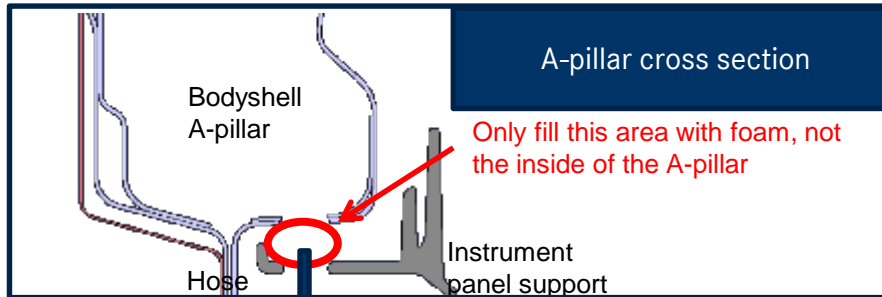
Bodyshell holes sealed



Item number
A 000 989 35 73



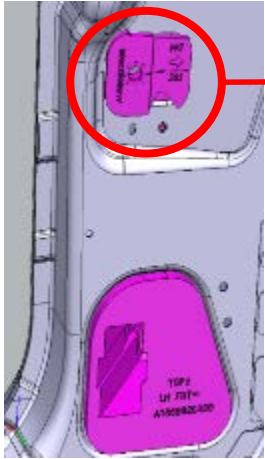
A-pillar cross section



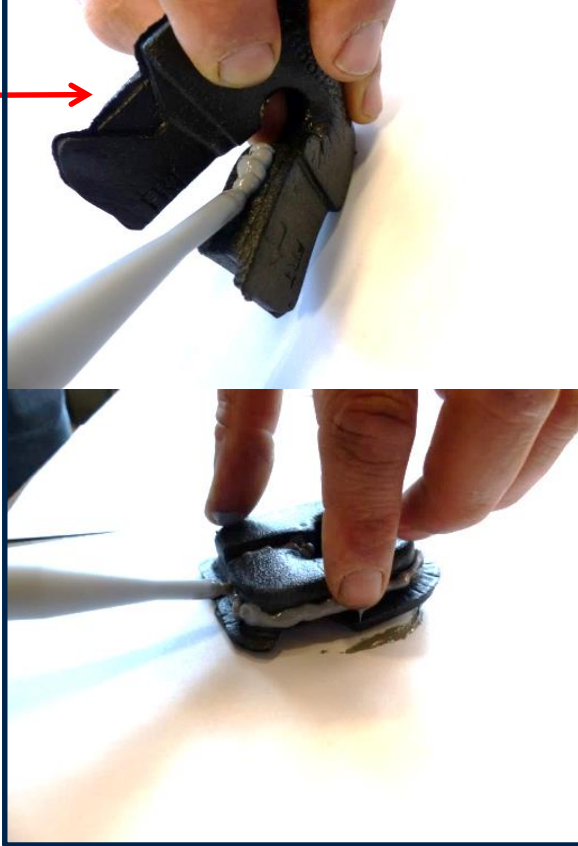
Note: Perform task on left- and right-hand sides. Fill specified area with foam for approx. 3 seconds with the pistol trigger fully depressed, pulling the hose out slowly in the process (do not guide the hose into the bodyshell A-pillar). After filling with foam, seal the hole in the instrument panel support with adhesive tape until the foam has set. (Prevents the foam from escaping)

BR166 - Sealing bodyshell openings

Fault location
A-pillar, top, inside



Sealing foam piece



Bodyshell hole sealed



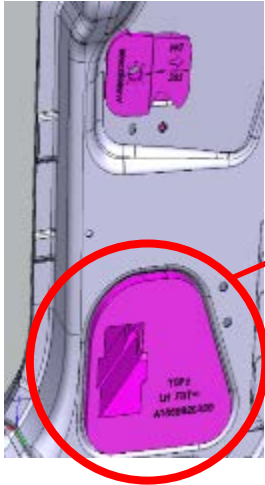
Item number
A 002 989 63 98



Note: Perform task on left- and right-hand sides.

BR166 - Sealing bodyshell openings

Fault location
A-pillar, bottom, inside



Item number
A 002 989 63 98



Sealing foam piece



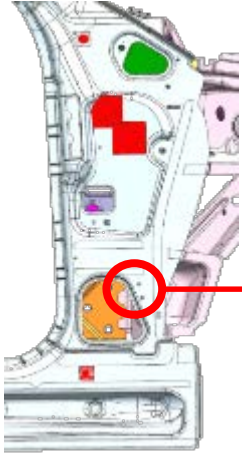
Bodyshell holes sealed



Note: Perform task on left- and right-hand sides.

BR166 - Sealing bodyshell openings

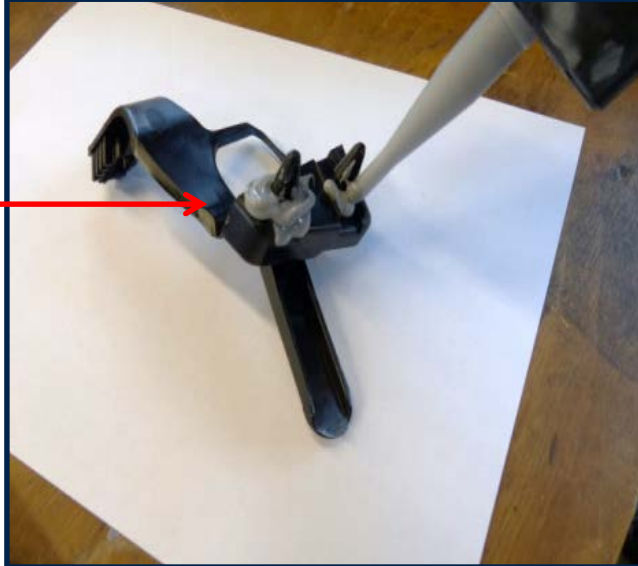
Fault location
A-pillar, bottom, inside



Item number
A 002 989 63 98



Bodyshell holes open



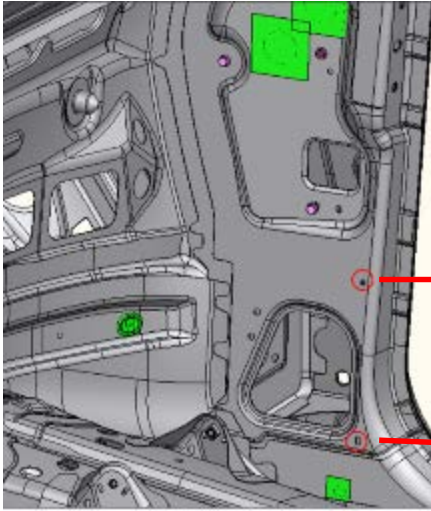
Bodyshell holes closed



Note: Perform task on left- and right-hand sides.

BR166 - Sealing bodyshell openings

Fault location
A-pillar, right



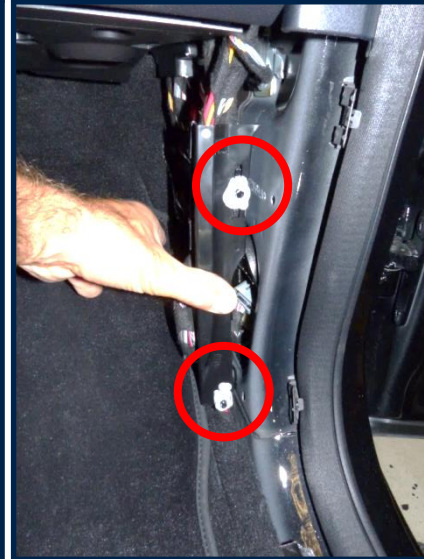
Item number
A 002 989 63 98



Bodyshell holes open



Bodyshell holes sealed



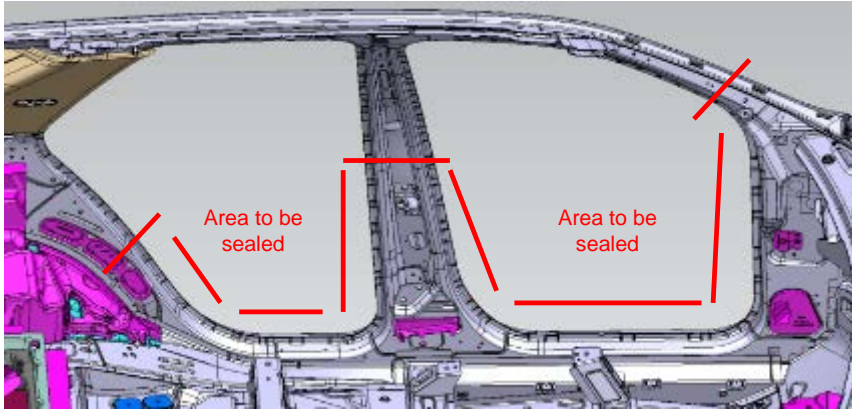
Cable duct, fixed



Note: Perform task on right-hand side. Check left-hand side (depending on equipment variant). If necessary, fix the cable duct with adhesive tape until the sealing compound has dried.

BR166 - Sealing bodyshell openings

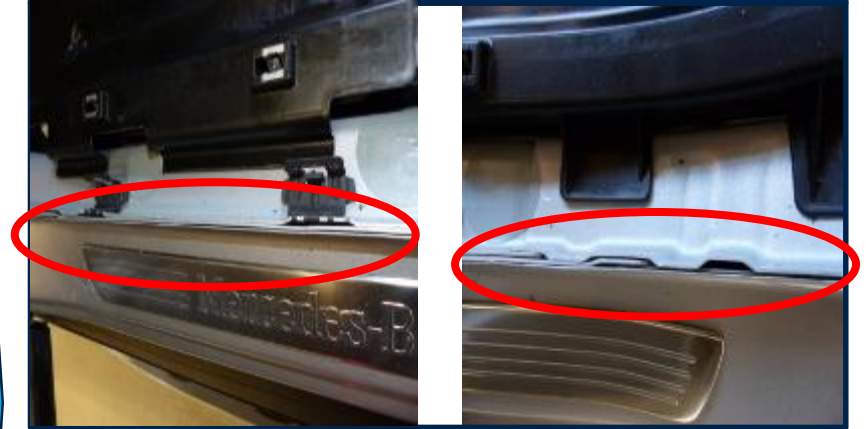
Fault location
Door cut-outs



Item number
A 002 989 63 98



Bodyshell holes open



Bodyshell holes sealed



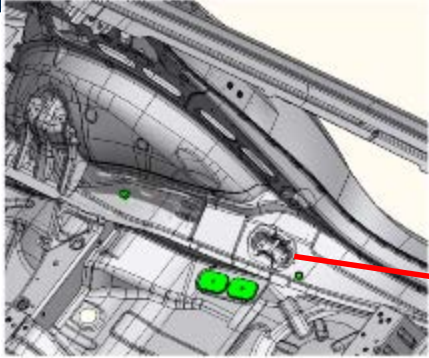
Note: Seal all spacers in the marked area (in illustration in top left) on the left- and right-hand side.

BR166 - Sealing bodyshell openings
Additionally for X166
Slide 34 to 39

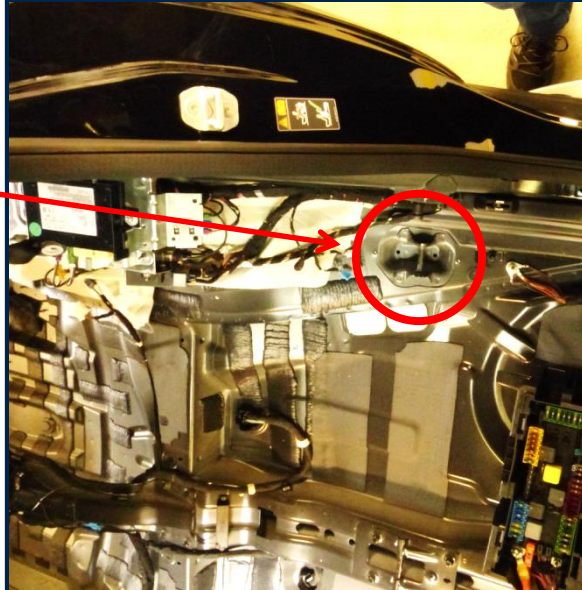


BR166 - Sealing bodyshell openings Additionally for X166

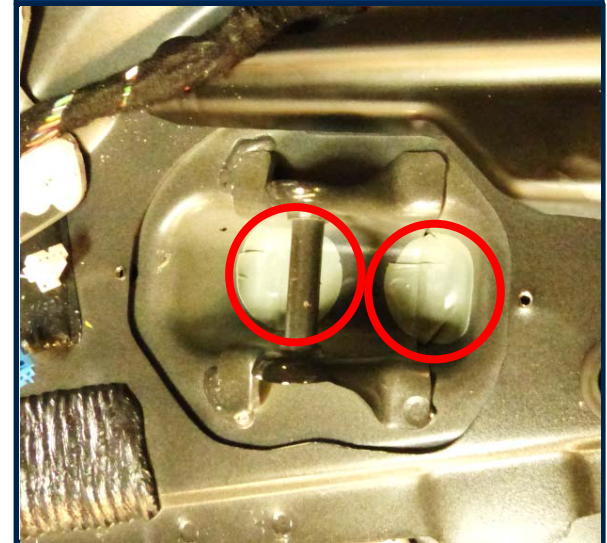
Fault location
Longitudinal member (rear
seat), rear



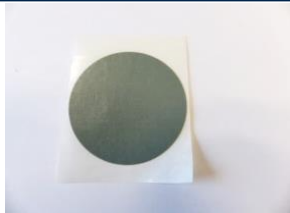
Bodyshell holes open



Bodyshell holes sealed



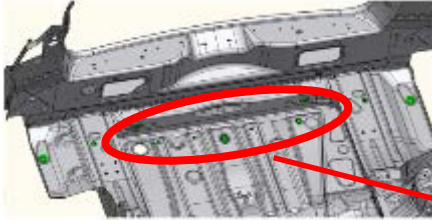
Item number
A 006 989 30 85



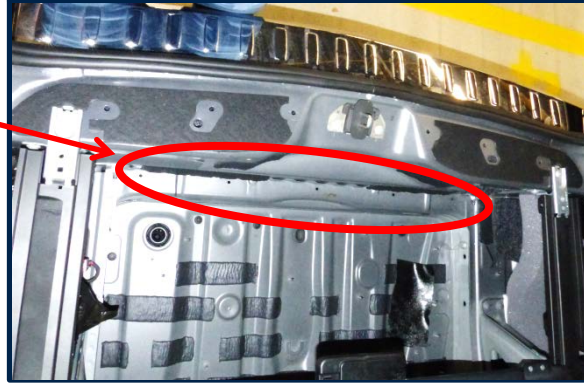
Note: Perform task on left- and right-hand sides

BR166 - Sealing bodyshell openings Additionally for X166

Fault location
Crossmember, rear



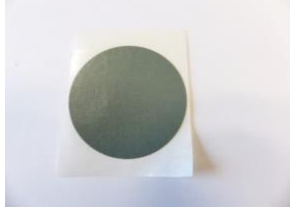
Bodyshell holes open



Bodyshell holes sealed



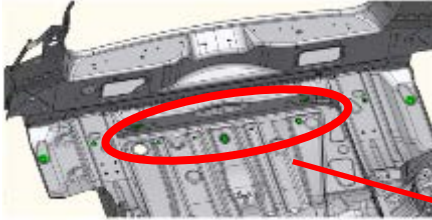
Item number
A 006 989 30 85



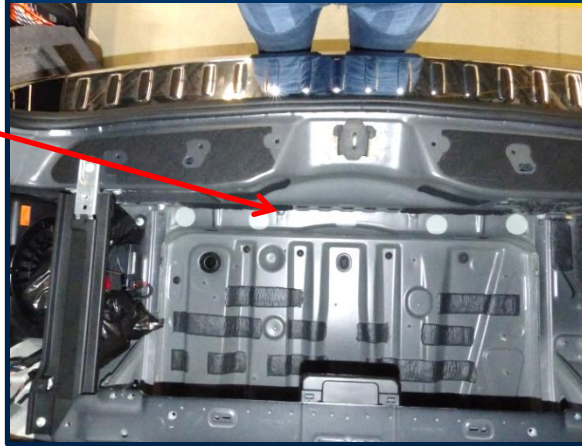
Note:

BR166 - Sealing bodyshell openings Additionally for X166

Fault location
Crossmember, rear



Bodyshell flange, open



Bodyshell flange, sealed



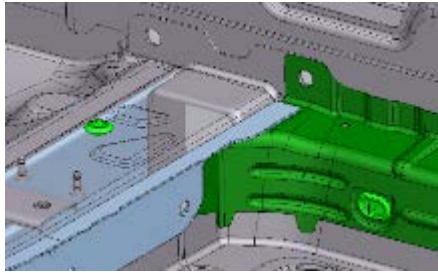
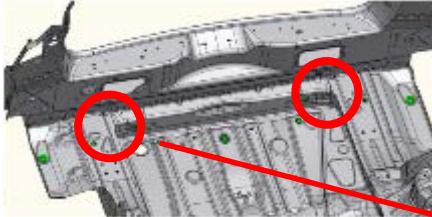
Item number
A 002 989 63 98



Note:

BR166 - Sealing bodyshell openings Additionally for X166

Fault location
Crossmember, rear



Item number
A 002 989 63 98



Bodyshell flange, open



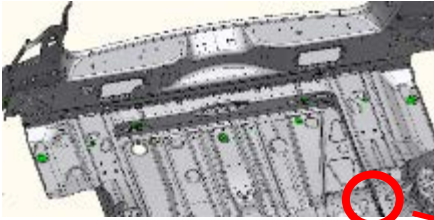
Bodyshell flange, sealed



Note: Perform task on left- and right-hand sides

BR166 - Sealing bodyshell openings Additionally for X166

Fault location
Longitudinal member, rear



Bodyshell flange, open



Bodyshell flange, sealed



Item number
A 002 989 63 98



Note: Perform task on left- and right-hand sides

BR166 - Sealing bodyshell openings Additionally for X166

Fault location
Longitudinal member, rear



Bodyshell flange, open



Bodyshell flange, sealed



Item number
A 002 989 63 98



Note: Perform task on left- and right-hand sides

BR166 – Sealing bodyshell openings

List of replacement parts

Designation	Replacement part no.	Quantity	Note	Misc.
Plug (d = 6.5 mm)	A 000 998 11 90	3	per vehicle	
Plug (d = 20 mm)	A 003 997 55 86	2	per vehicle	
Plug (d = 40 mm)	A 001 998 81 50	4	per vehicle	
Adhesive tape (d = 46 mm)	A 006 989 30 85	42	per vehicle	
Cable strap	A 007 997 56 90	4	per vehicle	
Clips	A 000 991 86 98	4	per vehicle	
Insulation, left	A 166 682 87 00	1	per vehicle	
Insulation, right	A 166 682 88 00	1	per vehicle	
Seam seal	A 002 989 63 98	1	per vehicle	
Acoustic foam	A 000 989 35 73	2	per vehicle	
Door sill panel, front right		1	Depending on equipment	Must be ordered for each specific vehicle
Door sill panel, front left		1	Depending on equipment	Must be ordered for each specific vehicle
Door sill panel, rear right		1	Depending on equipment	Must be ordered for each specific vehicle
Door sill panel, rear left		1	Depending on equipment	Must be ordered for each specific vehicle
Dust filter	A 166 830 02 18	1	Standard	
Fine particle filter	A 166 830 72 01	1	Standard	
Disinfectant cleaner for A/C system	A 000 989 46 00 09	1	per vehicle	