

Dokumenttitel Venting air from low temperature circuit

Dokumentnummer ar2000p1145h

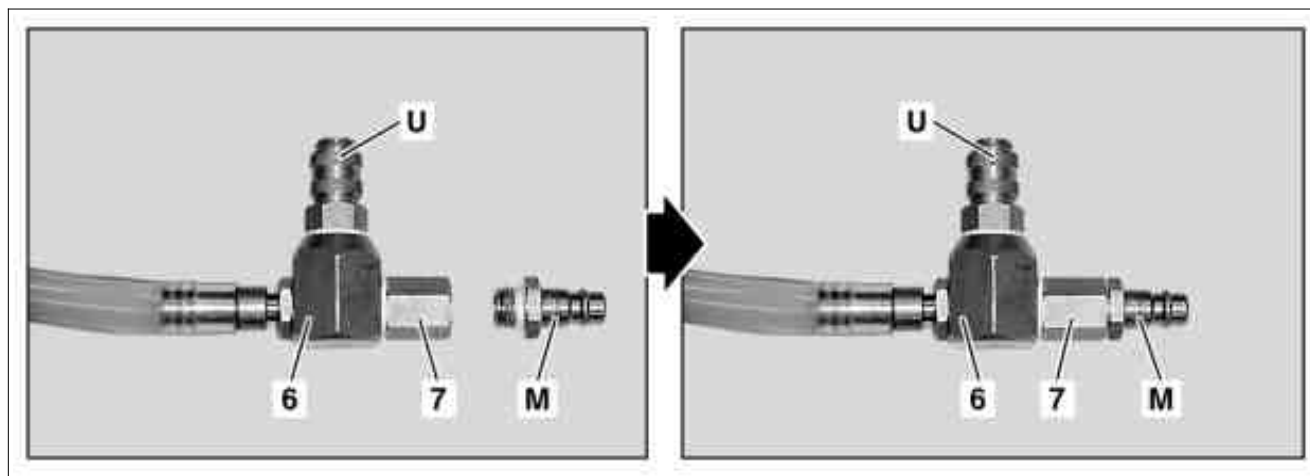
ENGINE 275, 285

6 Venturi nozzle

7 Pressure tube

M Connection

U Connection

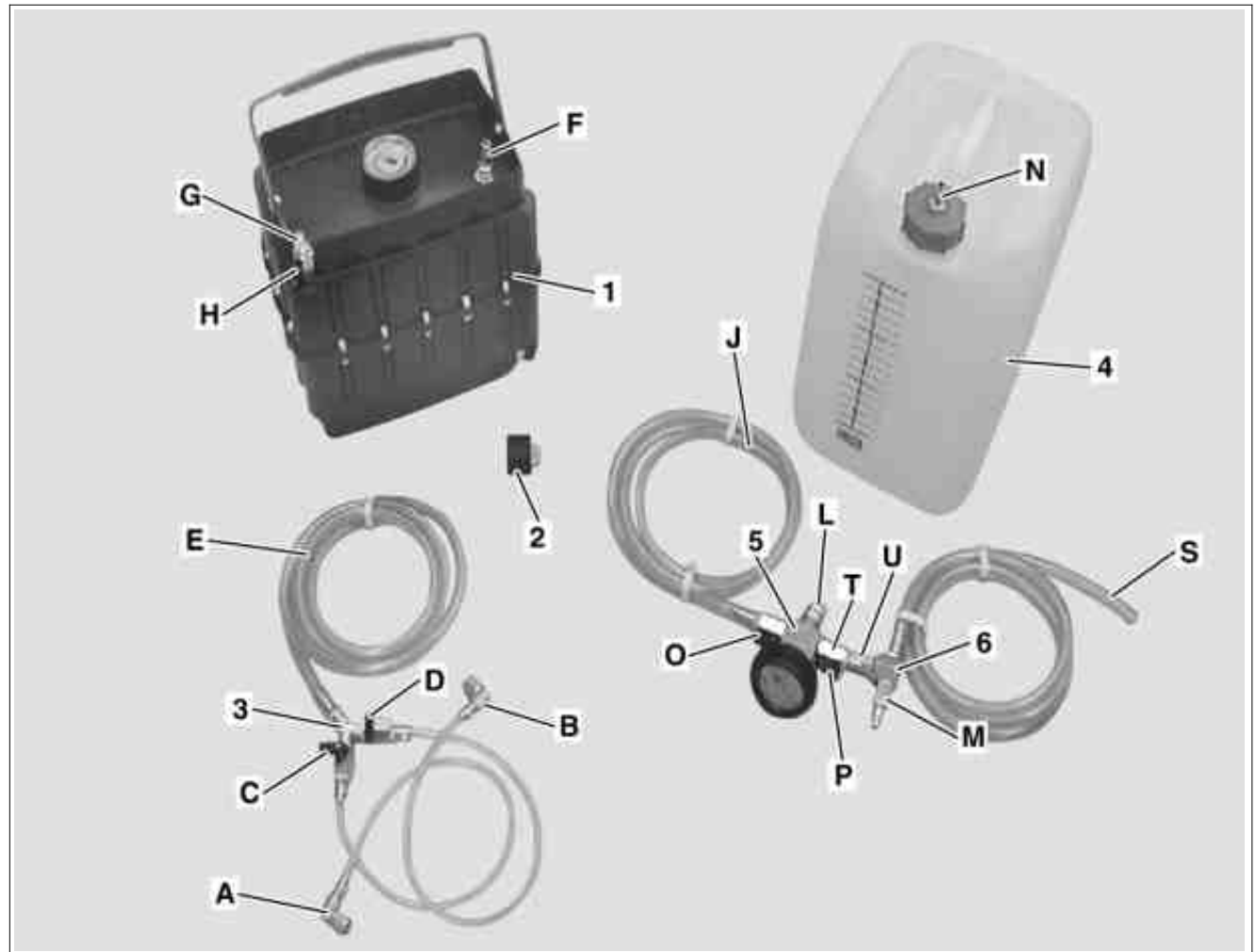


P58.30-2021-04

Vacuum-type cooling system filler with low-temperature circuit (NTKL) adaptation

- 1 Vacuum box
- 2 Switches
- 4 Coolant bottle
- 5 Control unit
- 6 Venturi nozzle

- A Connection
- B Connection
- C Valve
- D Valve
- E Coolant drain
- F Connection
- G Connection
- H Valve

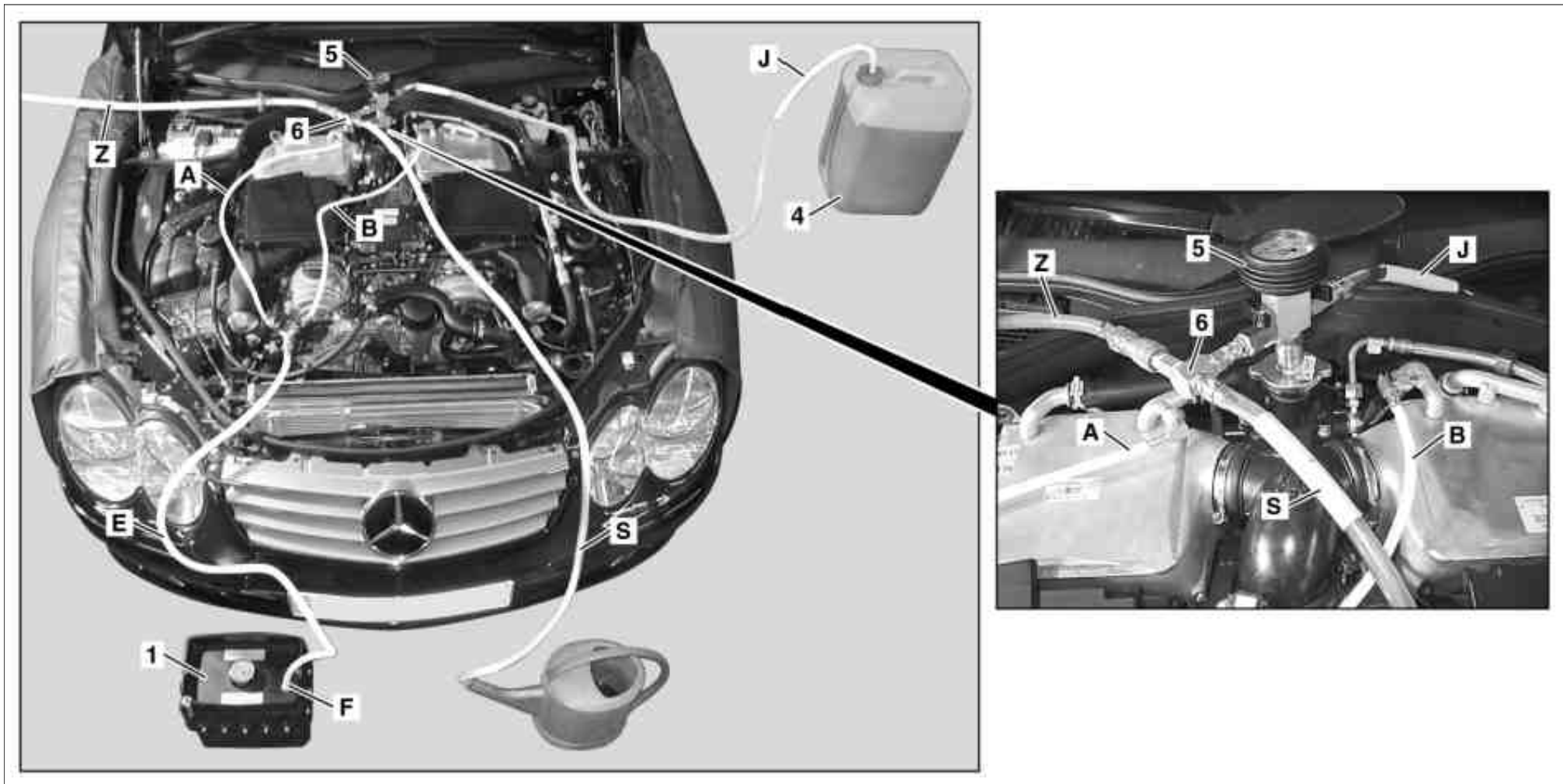


P20.00-2093-06

- J Coolant feed point
- L Connection
- M Connection

- N Connection
- O Valve
- P Valve

- S Waste air hose
- T Connection
- U Connection



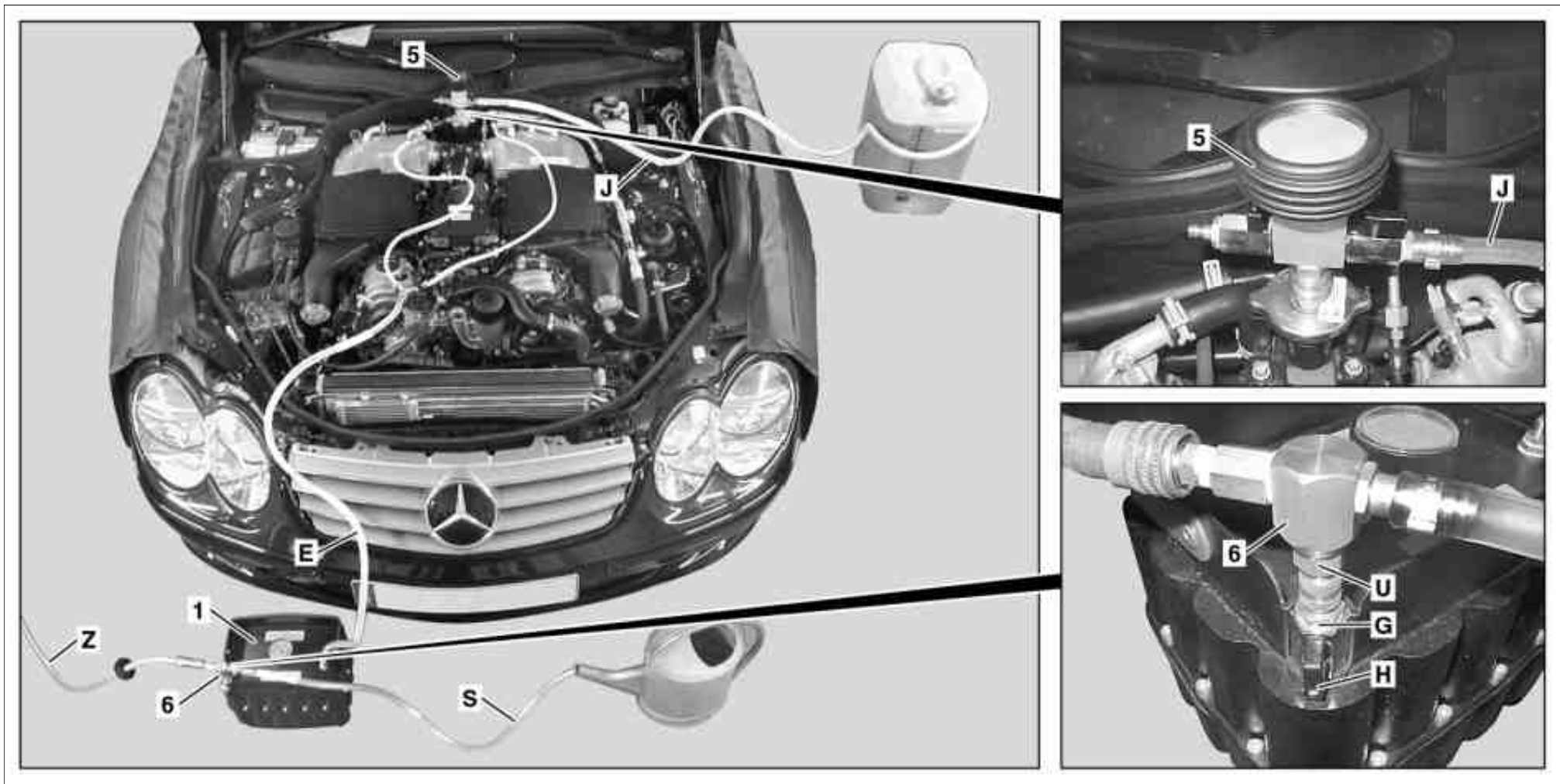
P20.00-2131-09

**Prepare for bleeding: line routing
Illustrated on model 230**

- 1 Vacuum box
- 4 Coolant bottle

- 5 Control unit
- 6 Venturi nozzle
- A Connection
- B Connection

- E Coolant drain
- F Connection
- J Coolant feed point
- S Waste air hose
- Z Compressed air












P20.00-2132-09


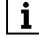
**Perform bleeding: line routing
Illustrated on model 230**

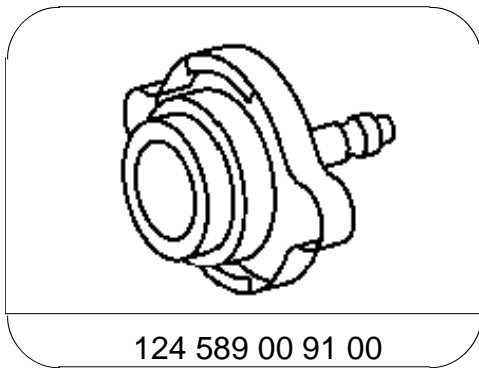
- 1 Vacuum box
- 5 Control unit

- 6 Venturi nozzle
- E Coolant drain
- G Connection
- J Coolant feed point

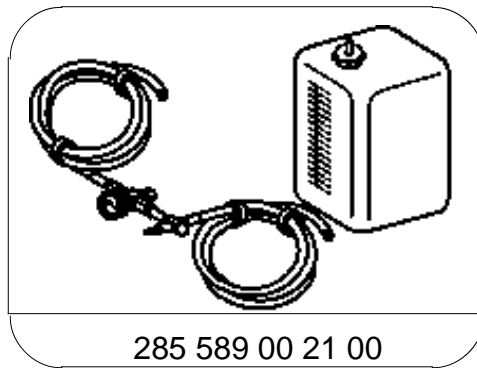
- S Waste air hose
- U Connection
- Z Compressed air

 Danger!	Risk of injury to skin and eyes caused by scalding from contact with hot coolant spray. Risk of poisoning caused by swallowing coolant.	Do not open cooling system unless coolant temperature is below 90°C. Open cap slowly and release the pressure. Do not pour coolant into beverage containers. Wear protective gloves, protective clothing and safety glasses.	AS20.00-Z-0001-01A
	Notes on coolant	All engines	AH20.00-N-2080-01A
	Only conduct ventilation procedure on a cold engine		
	Vacuum-type cooling system filler		*285589002100
	NTKL adapter		*285589012100
1.1 	Attach STAR DIAGNOSIS in order to actuate the circulation pump for the low-temperature circuit Connect STAR DIAGNOSIS and read out fault memory	Model 216, 221	AD00.00-P-2000-04A
1.2	Preparing for actuation of the circulation pump on the low temperature circuit	Model 215, 220 Model 230 Model 240	AR20.00-P-1145-01M AR20.00-P-1145-01R AR20.00-P-1145-01H
2	Screw on connection (M) at pressure tube (7) of the venturi nozzle (6)	 The venturi nozzle (6) will lose its function if used without the pressure tube (7). The venturi nozzle (6) does not generate a vacuum but creates excess pressure at connection (U) if the compressed air is connected without the pressure tube (7).  When first assembling the venturi nozzle (6) connection (M) on the workshop equipment compressed air system must be closed.	
3	Fill coolant reservoir (4) with coolant	 20 liter	

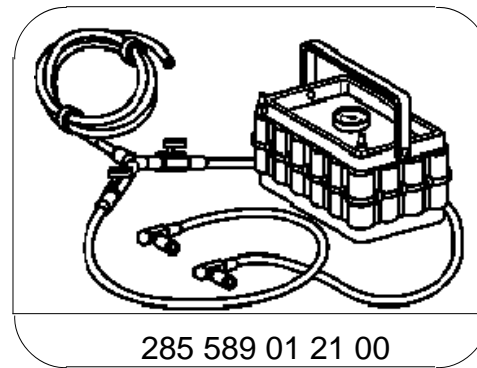
4	Open low temperature circuit at filler neck and screw on test cap	 Tester cap	*124589009100
5	Empty vacuum box (1)		
6	Prepare low temperature circuit for bleeding and check for leaks		AR20.00-P-1145-02R
7	Bleed low temperature circuit using circulation pump and vacuum		AR20.00-P-1145-03R
8	Close cooler vacuum filling device	 Close connections (A, B) and close diagnostic sockets for low temperature circuit.	
9	Screw on test cap and close low temperature circuit		
10	Replace switch (2) for manual actuation of the circulation pump against a relay		



Test cap



Vacuum-type cooling system filler



NTKL adapter