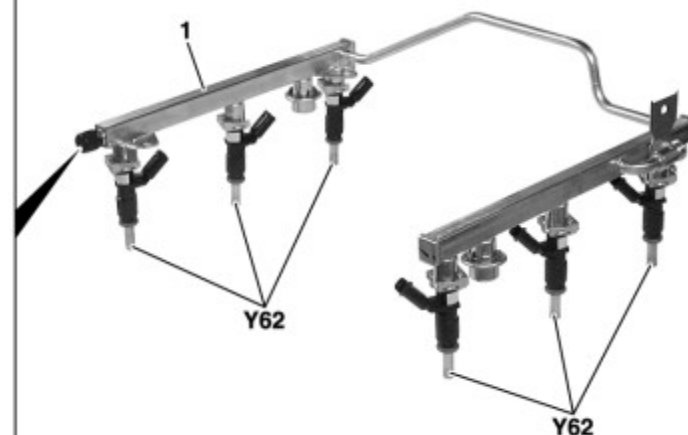
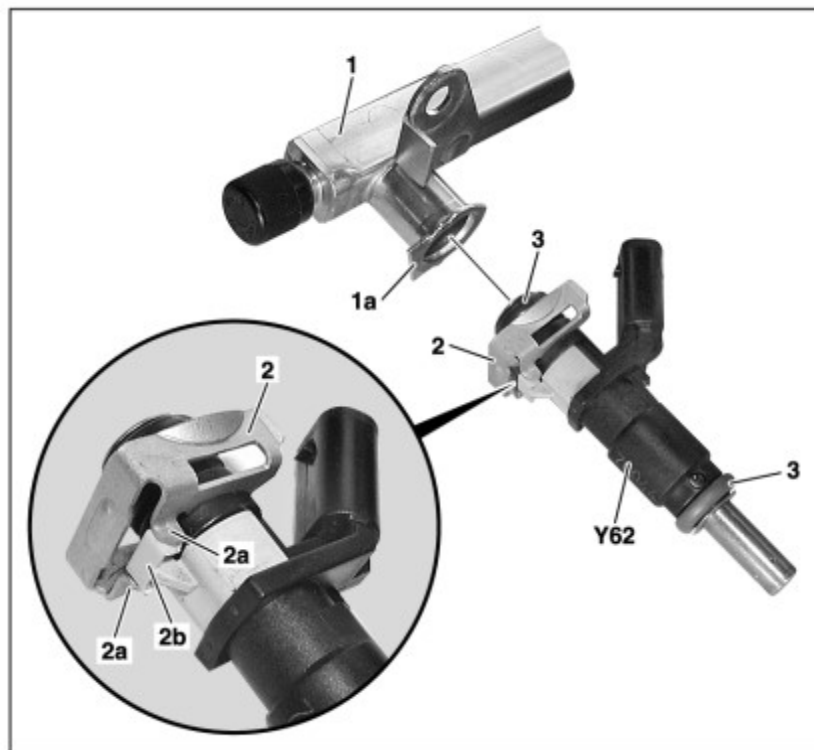


AR07.03-P-6520VA	Removing/installing injectors (ME-SFI)	4.11.03
------------------	--	---------

ENGINE 272.942 in MODEL 171.454
 ENGINE 272.963 in MODEL 171.456



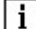




P07.03-2125-09

1 Fuel rail
 1a Connection
 2 Securing clamp

2a Pins
 2b Molding
 3 O-ring

Y62 Fuel injection valves

	Remove		
Danger!	Risk of explosion caused by fuel igniting, risk of poisoning caused by	No fire, sparks, open flames or smoking allowed.	AS47.00-Z-0001-01A

	inhaling and swallowing fuel as well as risk of injury to eyes and skin caused by contact with fuel.	Only pour fuels into suitable and appropriately marked containers. Wear protective clothing when handling fuel.	
1	Rotate key in ignition switch (electronic ignition switch control unit) to position "0"		
2	Open engine hood and raise to vertical position		AR88.40-P-1000V
3	Remove air cleaner housing		AR09.10-P-1150VA
4	Remove fuel distributor (1)		AR07.03-P-1451VA
5	Lever out securing clamps (2) on fuel injection valves (Y62)		
6	Pull out fuel injection valves (Y62) from the fuel distributor (1)	 Collect feathering out fuel with absorbent rag.	
	Installing		
7	Replace O-rings (3)		
8	Push securing clamps (2) onto the fuel injection valves (Y62)	 Mount securing clamps (2) in such a way that the lugs (2a) on the securing clamps (2) surround the moldings (2b) on the fuel injectors (Y62).	
9	Coat O-rings (3) with lubricating fluid	Liquid lubricant (Naphtolen H)	BR00.45-Z-1003-06A
10	Push fuel injection valves (Y62) into the fuel distributor (1) so as to sit properly	 The forms on the securing clamps (2) and the connecting pipes (1a) determine the installation position of the fuel injection valves (Y62). The securing clamps (2) must engage audibly.	
11	Install in reverse order		
 Danger!	Risk of accident caused by vehicle starting off by itself when engine is running. Risk of injury caused by contusions and burns when working in engine during starting procedure	Secure vehicle to prevent it from moving. Wear closed and snug-fitting work clothes. Do not grasp hot or rotating parts.	AS00.00-Z-0005-01A

12	Run engine as a check and inspect fuel system for leaks		
----	---	--	--

Auxiliary repair materials

Number	Designation	Order number
BR00.45-Z-1003-06A	Liquid lubricant (Naphtolen H)	000 989 01 60