


Search

Fuse Box Diagram (<http://knigaproavto.ru/shemy/en/>) » Mercedes (<http://knigaproavto.ru/shemy/en/mercedes/>) » C-Class (<http://knigaproavto.ru/shemy/en/mercedes/c-class/>) » Mercedes-Benz C-Class (W205) fuse diagram



**Start Download - View PDF**

Convert From Doc to PDF,  
PDF to Doc Simply With The  
Free Online App!

## MERCEDES-BENZ C-CLASS (W205) FUSE DIAGRAM

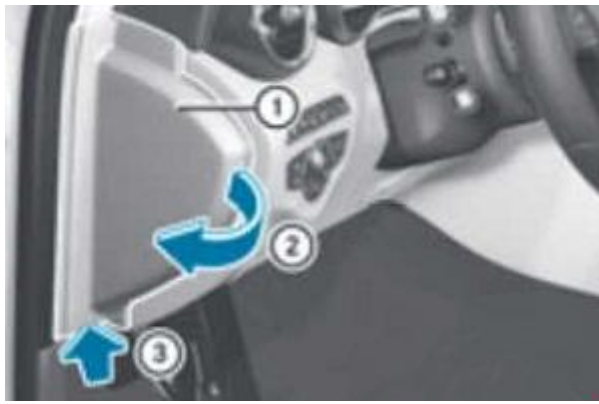
AdChoices

- W205 Fuse Box Diagram
- W205 Cigarette Lighter Fuse
- Electrical Wiring Chart
- A Engine Diagram
- 
- E

**Mercedes-Benz (<http://knigaproavto.ru/shemy/en/mercedes/>)**

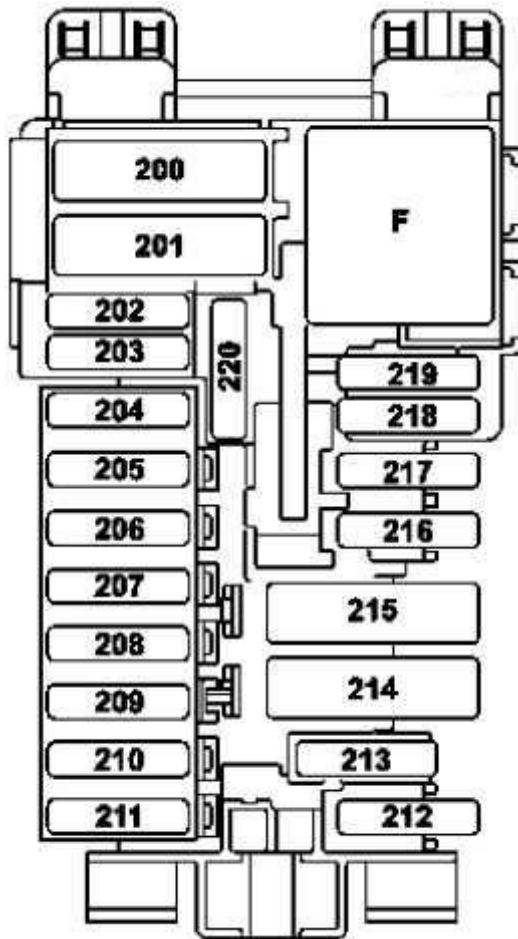
<p>W202 (1993-2001) (<a href="http://knigaproavto.ru/shemy/en/mercedes/c-class/285-w202-fuse-diagram.html">http://knigaproavto.ru/shemy/en/mercedes/c-class/285-w202-fuse-diagram.html</a>)</p>  <p>(<a href="http://knigaproavto.ru/shemy/en/mercedes/c-class/285-w202-fuse-diagram.html">http://knigaproavto.ru/shemy/en/mercedes/c-class/285-w202-fuse-diagram.html</a>)</p>	<p>W203 (2000-2007) (<a href="http://knigaproavto.ru/shemy/en/mercedes/c-class/236-mercedes-c-class-w203-fuse-box-diagram-20012007.html">http://knigaproavto.ru/shemy/en/mercedes/c-class/236-mercedes-c-class-w203-fuse-box-diagram-20012007.html</a>)</p>  <p>(<a href="http://knigaproavto.ru/shemy/en/mercedes/c-class/236-mercedes-c-class-w203-fuse-box-diagram-20012007.html">http://knigaproavto.ru/shemy/en/mercedes/c-class/236-mercedes-c-class-w203-fuse-box-diagram-20012007.html</a>)</p>	<p>W204 (2007-2014) (<a href="http://knigaproavto.ru/shemy/en/mercedes/c-class/278-20072014-mercedes-c-class-fuse-diagram.html">http://knigaproavto.ru/shemy/en/mercedes/c-class/278-20072014-mercedes-c-class-fuse-diagram.html</a>)</p>  <p>(<a href="http://knigaproavto.ru/shemy/en/mercedes/c-class/278-20072014-mercedes-c-class-fuse-diagram.html">http://knigaproavto.ru/shemy/en/mercedes/c-class/278-20072014-mercedes-c-class-fuse-diagram.html</a>)</p>
--	---	--

## Dashboard Fuse Box



([http://fotohostingtv.ru/show.php/18806\\_knigaproavtoru05022527.jpg.html](http://fotohostingtv.ru/show.php/18806_knigaproavtoru05022527.jpg.html))

- Open the driver's door.
- **To open:** pull out cover (1) slightly at the bottom in the direction of arrow (3).
- Fold cover (1) outwards in the direction of arrow (2).
- **To close:** fold in cover (1) until it engages.

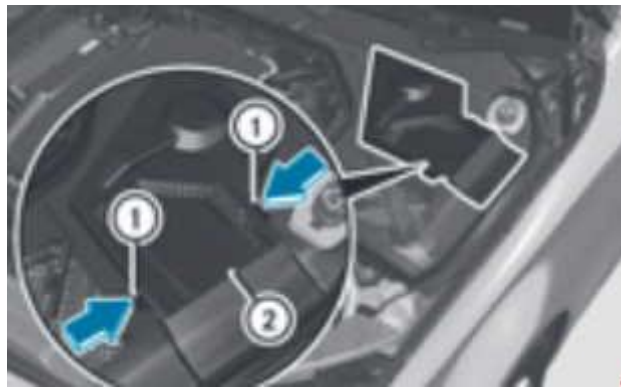


([http://fotohostingtv.ru/show.php/18807\\_knigaproavtoru05022146.jpg.html](http://fotohostingtv.ru/show.php/18807_knigaproavtoru05022146.jpg.html))



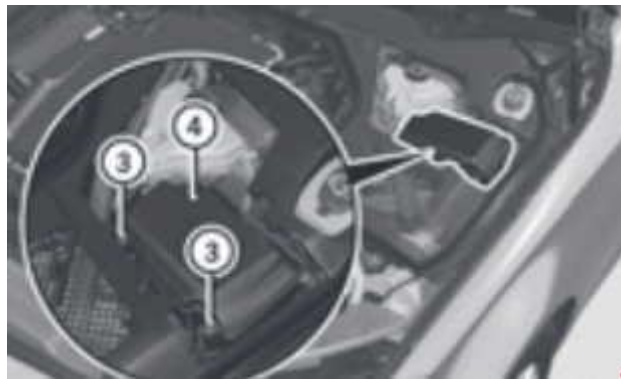
No.	Fused component	A
200	Front SAM control unit	5
201	Front SAM control unit	4
202	Alarm siren ATA [EDW]/tow-away protection/interior protection control unit (A205)	5
203	<b>Valid with transmission 716:</b> Electric steering lock control unit	2
204	Diagnostic connector	5
205	Electronic ignition lock control unit	7.
206	Analog clock	5
207	Climate control control unit	1
208	Instrument cluster	7.
209	Climate control operating unit Upper control panel control unit	5
210	Steering column tube module control unit	5
211	<b>AMG:</b> Electronic Stability Program control unit	2
212	<b>as of 01.06.2016:</b> Antenna changeover switch for telephone and stationary heated	5
213	Electronic Stability Program control unit	5
214	<b>AMG:</b> Electric parking brake control unit	3
215	Spare	-
216	Glove compartment lamp	7.
217	<b>Japan version:</b> Dedicated Short-Range Communications control unit	5
218	Supplemental Restraint System control unit	7.
219	Weight sensing system (WSS) control unit	5
220	Spare	-
<b>Relay</b>		
F	Relay, circuit 15R	

## Fuse Box in the Engine Compartment



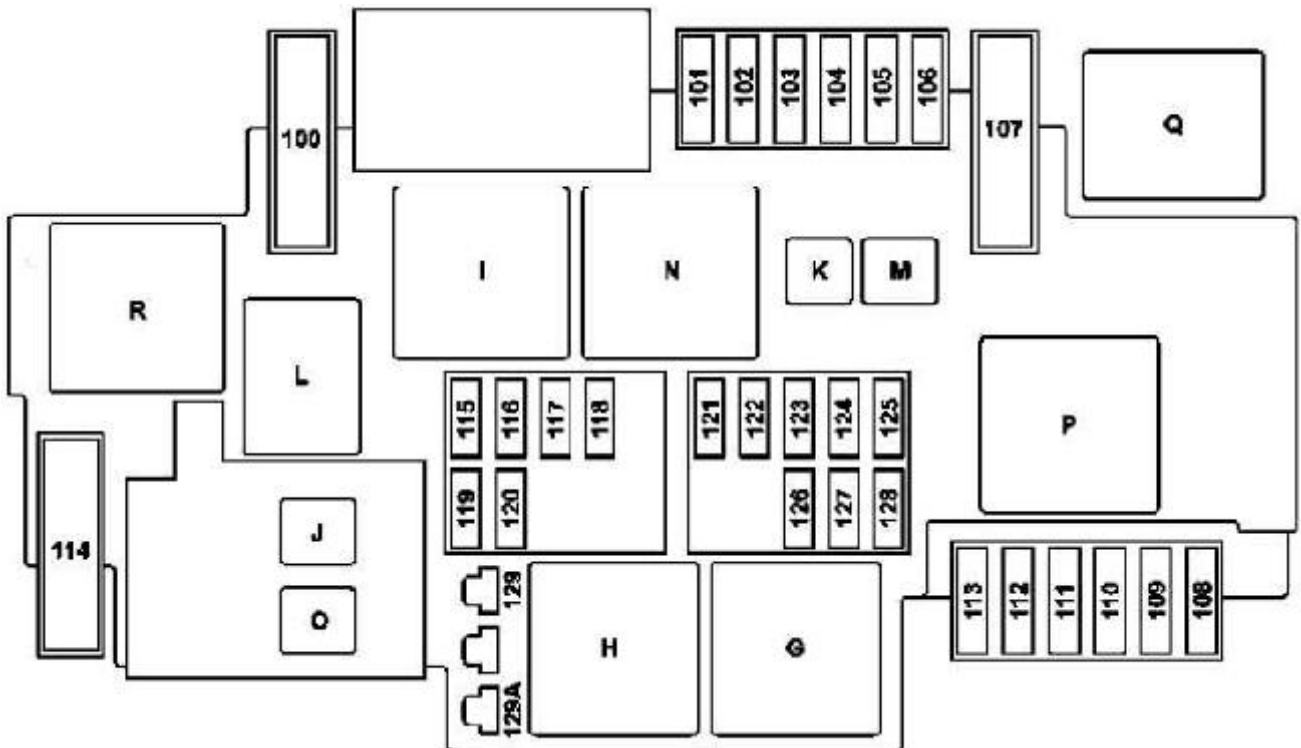
([http://fotohostingtv.ru/show.php/18809\\_knigaproavtoru05023322.jpg.html](http://fotohostingtv.ru/show.php/18809_knigaproavtoru05023322.jpg.html))

- Open the hood.
- **To open:** press safety clips (1) on the cover together.
- Remove fuse box cover (2) upwards.



([http://fotohostingtv.ru/show.php/18808\\_knigaproavtoru05023334.jpg.html](http://fotohostingtv.ru/show.php/18808_knigaproavtoru05023334.jpg.html))

- Use a dry cloth to remove any moisture from the fuse box.
- Loosen screws (3), fold up fuse box lid (4) and remove it.
- **To close:** check whether the seal is positioned correctly in the lid (4).
- Insert lid (4) into the bracket at the rear of the fuse box.
- Fold down lid (4) of the fuse box and tighten screws (3).



No.	Fused component	A
100	<b>Hybrid:</b> Vacuum pump	4
101	<b>Valid except AMG:</b> Connector sleeve, circuit 87/2	1
	<b>AMG:</b> Connector sleeve, circuit 87/2	2
102	<b>Valid except AMG:</b> Connector sleeve, circuit 87/1	2
	<b>AMG:</b> Connector sleeve, circuit 87/1	2
103	<b>Valid except AMG:</b> Connector sleeve, circuit 87/4	1
	<b>AMG:</b> Connector sleeve, circuit 87/4	2
104	<b>Valid except AMG:</b> Connector sleeve, circuit 87/3	1
	<b>AMG:</b> Connector sleeve, circuit 87/3	2
105	<b>Valid for transmission 722.9 (except 722.930):</b> Automatic transmission fluid auxiliary oil pump control unit	1
106	Spare	.
107	<b>Valid with engine 274.9:</b> Electric coolant pump	6
108	<b>Static LED headlamp:</b> Right front lamp unit	2
	<b>High performance LED, Dynamic LED headlamp:</b> Left front lamp unit	
	Right front lamp unit	
109	Wiper motor	3
110	<b>Static LED headlamp:</b> Left front lamp unit	2
	<b>High performance LED, Dynamic LED headlamp:</b> Left front lamp unit	
	Right front lamp unit	
111	Starter	3
112	<b>Hybrid:</b> Accelerator pedal sensor	1
113	Spare	.
114	AIRmatic compressor	4
115	Left horn and right horn	1
116	Spare	.
117	Spare	.
118	<b>Hybrid:</b> Electronic Stability Program control unit	5
119	Circuit 87 C2 connector sleeve	1
120	<b>Valid except AMG:</b> Circuit 87 C1 connector sleeve	5

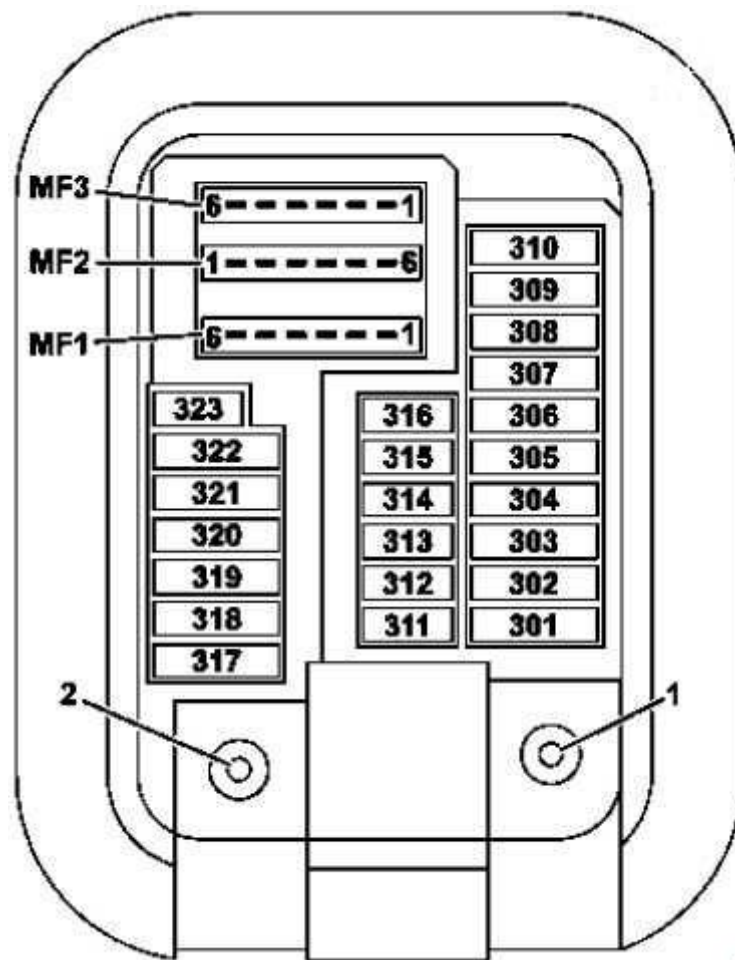
	<b>AMG:</b> Circuit 87 C1 connector sleeve	1
121	Electronic Stability Program control unit	5
122	CPC relay	5
123	Spare	-
124	Spare	-
125	Front SAM control unit	5
126	Powertrain control unit <b>Valid for diesel engine:</b> CDI control unit <b>Valid for gasoline engine:</b> ME-SFI control unit	5
127	<b>Hybrid:</b> Voltage dip limiter	5
128	Left front lamp unit and exterior lights switch	5
129	<b>Hybrid:</b> Starter circuit 50 relay	3
129A	<b>Hybrid:</b> Starter circuit 50 relay	3
Relay		
G	Engine compartment circuit 15 relay	
H	Starter circuit 50 relay	
I	<b>Hybrid:</b> Vacuum pump relay (+)	
J	CPC relay	
K	<b>Valid for transmission 722.9 (except 722.930):</b> Oil pump relay	
L	Horn relay	
M	Wiper park position heater relay	
N	Circuit 87M relay	
O	<b>Hybrid:</b> Starter circuit 15 relay	
P	<b>Valid with engine 274.9:</b> Coolant pump relay	
Q	<b>Hybrid:</b> Vacuum pump relay (-)	
R	AIRmatic relay	

## Fuse Box in the Front-Passenger Footwell



([http://fotohostingtv.ru/show.php/18811\\_knigaproavtoru05023906.jpg.html](http://fotohostingtv.ru/show.php/18811_knigaproavtoru05023906.jpg.html))

- Open the front-passenger door.
- **To open:** fold cover (1) out towards the rear and remove it.
- **To close:** clip in cover (1) at the rear.
- Fold cover (1) forwards until it engages.



([http://fotohostingtv.ru/show.php/18812\\_knigaproavtoru05023809.jpg.html](http://fotohostingtv.ru/show.php/18812_knigaproavtoru05023809.jpg.html))

No.	Fused component	A
301	<b>Hybrid:</b> Pyrofuse via high-voltage disconnect device	5
302	Right front door control unit	3
303	<b>W205, S205, V205:</b> Left rear door control unit <b>A205, C205:</b> Rear control unit	3
304	<b>Valid for transmission 722:</b> Intelligent servo module for DIRECT SELECT	2
305	Driver seat control unit Driver seat heater control unit Front seat heater control unit	3

306	Front passenger seat control unit Front passenger seat heater control unit Front seat heater control unit	3
307	<b>AMG:</b> Active engine mounts control unit	5
308	<b>USA version:</b> Electric Brake Control electrical connector	3
309	Emergency call system control unit	1
	HERMES control unit Telematics services communications module	5
310	<b>AMG:</b> Active engine mounts control unit	2
311	Booster blower electronic blower regulator	1
312	Overhead control panel control unit	1
313	<b>Hybrid:</b> Power electronics control unit	1
314	<b>AMG:</b> Electronic differential control unit	5
315	Powertrain control unit	5
	<b>Valid for diesel engine:</b> CDI control unit <b>Valid for gasoline engine:</b> ME-SFI control unit	
316	Supplemental Restraint System control unit	7
317	Panoramic sliding sunroof control module	3
	Sliding roof control module	
318	Stationary heater control unit	2
319	<b>Hybrid:</b> High-voltage PTC heater	5
320	AIRMATIC control unit	2
	Adaptive damping system control unit	
321	<b>Japan version:</b> Dedicated Short-Range Communications control unit	5
322	Head unit	2
323	Parking system control unit	5
MF1/1	Audio/COMAND display	7
	Audio equipment fan motor	
MF1/2	Stereo multifunction camera	7
	Mono multifunction camera	
MF1/3	Rain/light sensor with additional functions	7
	<b>W205, S205, V205:</b> Overhead control panel control unit	
MF1/4	Driver seat control unit	7
	Driver seat heater control unit	
	Front seat heater control unit	
MF1/5	Front passenger seat control unit	7
	Front passenger seat heater control unit	
	Front seat heater control unit	
MF1/6	Steering column tube module control unit	7
MF2/1	Left front reversible emergency tensioning retractor	5
MF2/2	Audio/COMAND control panel	5
	Touchpad	
MF2/3	Right front reversible emergency tensioning retractor	5
MF2/4	Heads-up display	5
MF2/5	Multimedia connection unit	5
MF2/6	<b>Hybrid:</b> Electrical refrigerant compressor	5



MF3/1	Feedback line, terminal 30g, front SAM control unit	E
MF3/2	Radar sensors control unit	E
MF3/3	Spare	-
MF3/4	Driver side instrument panel button group	E
MF3/5	Rear air conditioning operating unit	E
MF3/6	Tire pressure monitor control unit	E

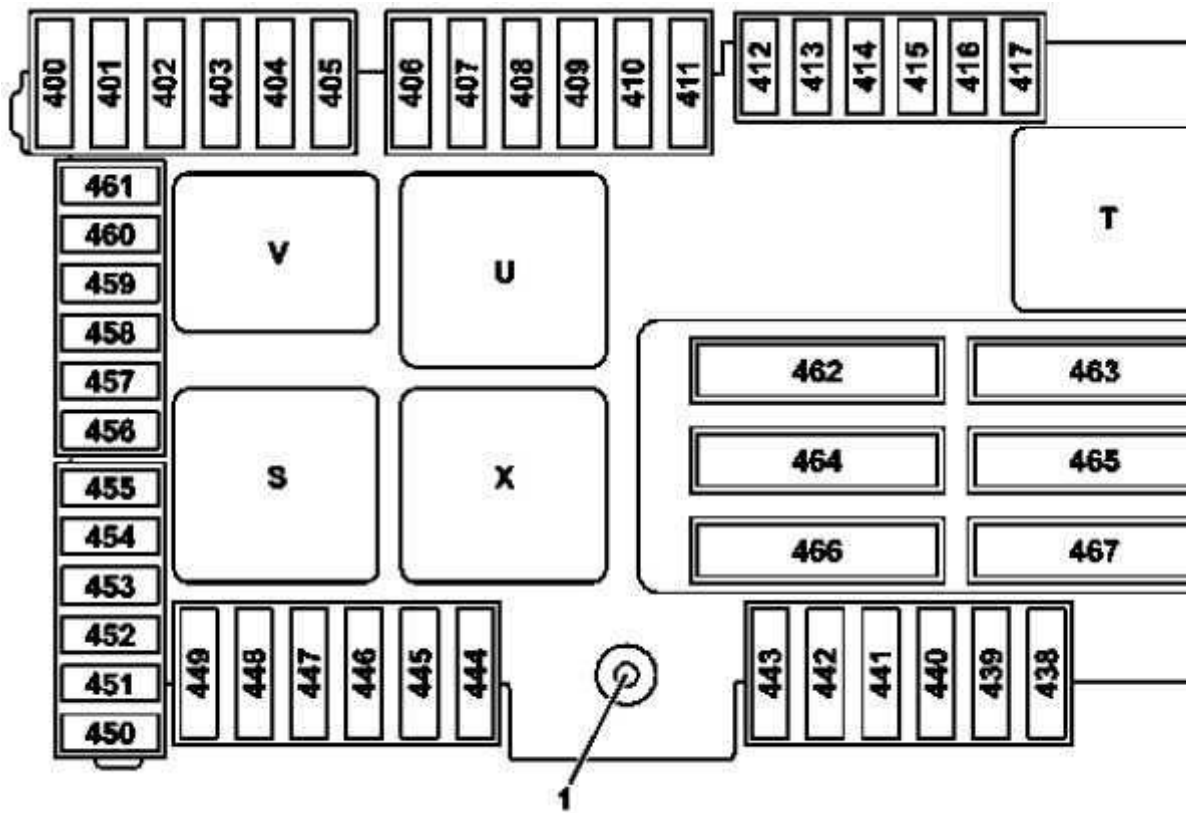
## Fuse Box in the Trunk



([http://fotohostingtv.ru/show.php/18813\\_knigaproavtoru05020557.jpg.html](http://fotohostingtv.ru/show.php/18813_knigaproavtoru05020557.jpg.html))

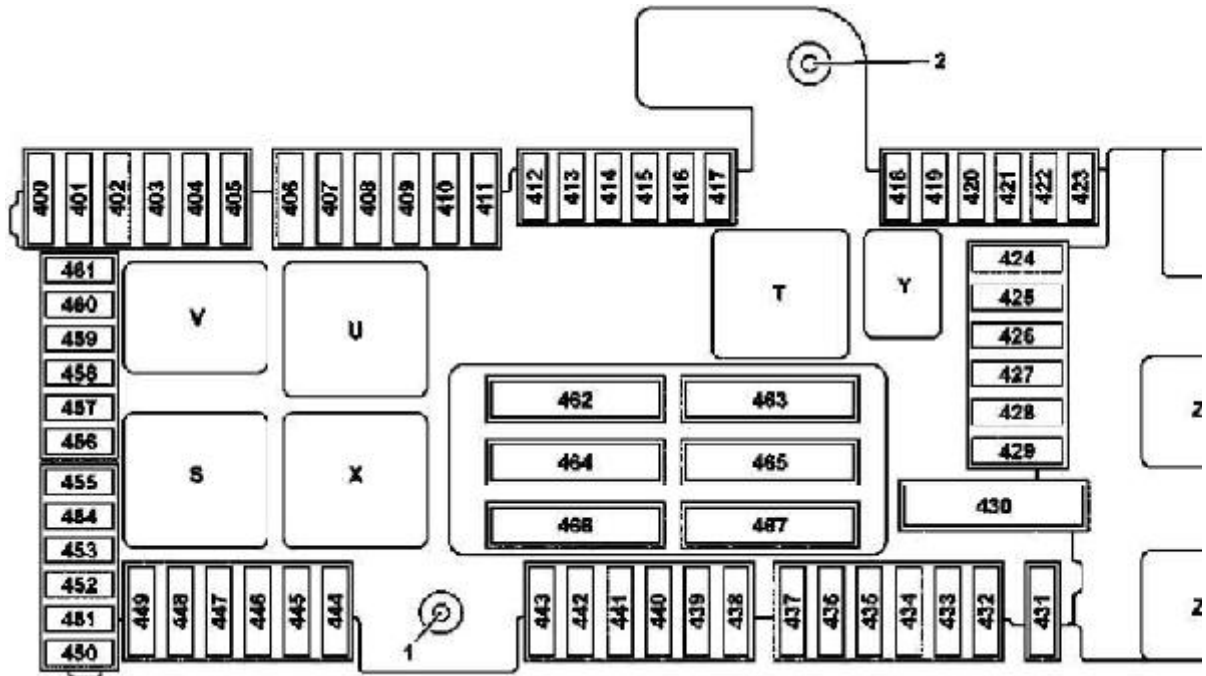
- Open the trunk lid.
- Lift the trunk floor upwards.
- **To open:** swing cover (1) upwards in the direction of the arrow.
- **To close:** fold down cover (1) in the opposite direction to the arrow.
- Make sure that the cover is in the recess provided for it.

**Variant 1**



([http://fotohostingtv.ru/show.php/18814\\_knigaproavtoru05020910.jpg.html](http://fotohostingtv.ru/show.php/18814_knigaproavtoru05020910.jpg.html))

**Variant 2**



([http://fotohostingtv.ru/show.php/18815\\_knigaproavtoru05020720.jpg.html](http://fotohostingtv.ru/show.php/18815_knigaproavtoru05020720.jpg.html))

- 1 - Terminal 30 "E1" feed
- 2 - Terminal 30g "E2" feed

Start Download - View PDF



Ad Merge & Convert Files into PDFs w/ EasyPDFCombine

EasyPDFCombine

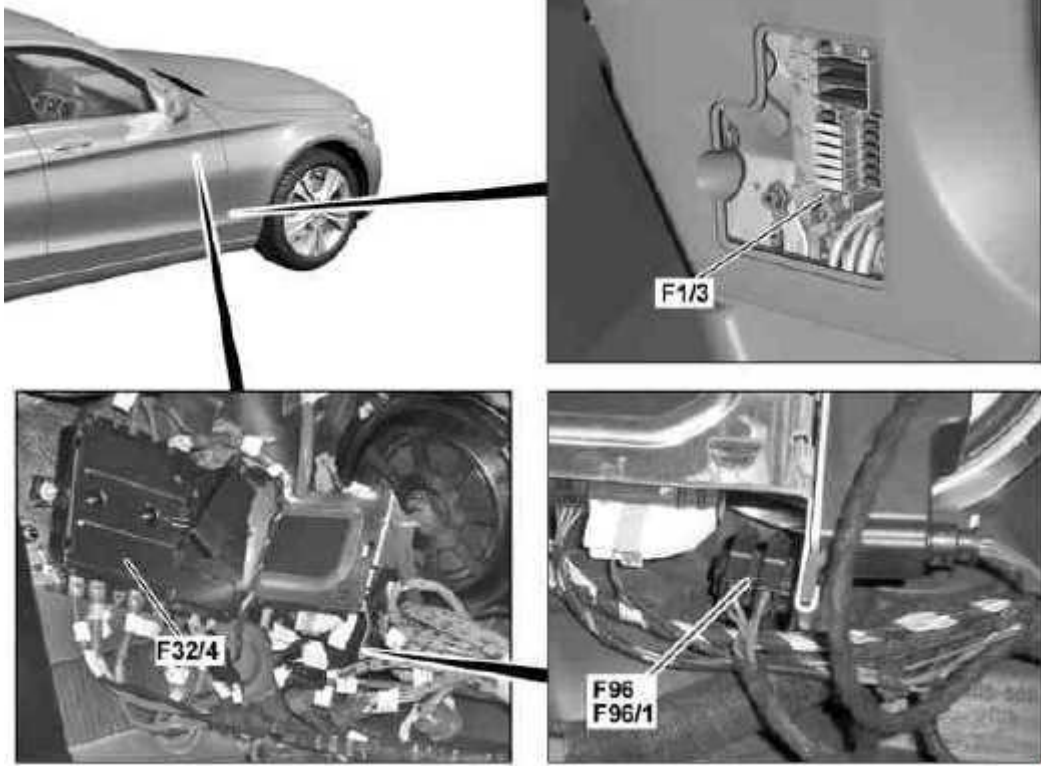
[Learn more](#)

No.	Fused component	A
400	<b>BlueTEC:</b> AdBlue® control unit	2
401	<b>BlueTEC:</b> AdBlue® control unit	1
402	<b>BlueTEC:</b> AdBlue® control unit	2
403	<b>Valid up to 30.11.2015:</b> Front passenger seat partially electric seat adjustment switch	3
	<b>Valid as of 01.12.2015:</b> Front passenger seat partially electric seat adjustment switch	2
404	<b>Valid up to 30.11.2015:</b> Driver seat partially electric seat adjustment switch	3
	<b>Valid as of 01.12.2015:</b> Driver seat partially electric seat adjustment switch	2
405	Spare	-
406	Left front door control unit	3
407	Spare	-
408	<b>W205, S205, V205:</b> Right rear door control unit	3
	<b>A205, C205:</b> Rear control unit	
409	Spare	-
410	Stationary heater radio remote control receiver	5
	Antenna changeover switch for telephone and stationary heater	
411	Left front reversible emergency tensioning retractor	3
412	<b>Hybrid:</b> Battery management system control unit	7
413	Trunk lid control control unit	5
414	Tuner unit	5
415	Camera cover control unit	5
	Perfume atomizer generator	
416	Cellular telephone system antenna amplifier/compensator	7
	Mobile phone contact plate	
417	360° camera control unit	5
	Reversing camera	
418	Rear seat heater control unit	5
	AIRSCARF control unit	
419	Front passenger seat lumbar support adjustment control unit	5
420	Driver seat lumbar support adjustment control unit	5
421	Spare	-

422	Spare	-
423	Sound system amplifier control unit	5
424	AIR BODY CONTROL Plus control unit <b>Valid for engine 276:</b> Engine sound control unit	1
425	Spare	-
426	Spare	-
427	Spare	-
428	Spare	-
429	Spare	-
430	Spare	-
431	Special-purpose vehicle multifunction control unit	2
432	Special-purpose vehicle multifunction control unit	2
433	Trailer recognition control unit	1
434	Trailer recognition control unit	1
	<b>AMG:</b> Electric parking brake control unit	3
435	Trailer recognition control unit	2
	<b>AMG:</b> Electronic differential control unit	2
436	Trailer recognition control unit	1
437	Trailer recognition control unit	2
438	DC/AC converter control unit	3
439	Taximeter	5
	Mirror taximeter	
	<b>A205:</b> Rear control unit	2
440	Rear seat heater control unit	3
	AIRSCARF control unit	
441	AIRSCARF control unit	3
442	Fuel system control unit	2
443	Right front reversible emergency tensioning retractor	3
444	Tablet PC electrical connector	1
445	<b>S205:</b> Luggage compartment socket	1
446	<b>Front cigarette lighter</b> with ashtray illumination	1
	Vehicle interior power outlet	
447	Right rear center console socket 12V	1
448	<b>Valid for transmission 722, 725:</b> Park pawl capacitor	1
449	<b>Valid for engine 626:</b> Fuel filter element with integrated heater	5
	<b>AMG:</b> Electric parking brake control unit	
450	Rear SAM control unit	5
451	Fuel system control unit	5
	<b>BlueTEC:</b> AdBlue® control unit	
452	Integrated outer right rear bumper radar sensor	
	Integrated outer left rear bumper radar sensor	
	Center rear bumper radar sensor	5
	Outer right rear bumper radar sensor	
	Outer left rear bumper radar sensor	

453	Left front bumper radar sensor Right front bumper radar sensor COLLISION PREVENTION ASSIST controller unit	5
	<b>Valid for transmission 722:</b> Fully integrated transmission control unit	7
454	<b>Driving school package:</b> Footwell illumination switch Pedal operation monitor switch <b>BlueTEC:</b> AdBlue® control unit	5
455	DC/AC converter control unit	5
456	Front long-range radar sensor DISTRONIC electric controller unit	5
457	<b>Hybrid:</b> Power electronics control unit Battery management system control unit <b>AMG:</b> Electronic differential control unit Active engine mounts control unit	5
458	Rear switching module	5
459	<b>Hybrid:</b> Charger <b>AMG:</b> AMG suspension control unit	5
460	KEYLESS-GO control unit	1
461	FM 1, AM, CL [ZV] and KEYLESS-GO antenna amplifier	5
462	Sound system amplifier control unit	4
463	<b>W205, S205, V205:</b> Rear window heater via rear window interference suppression capacitor <b>A205, C205:</b> Soft top/vehicle interior electrical connector	3
464	Trunk lid control control unit Liftgate control control unit	4
465	Rear SAM control unit	4
466	Rear SAM control unit	4
467	<b>Valid for engine 626:</b> Fuel filter element with integrated heater <b>A205:</b> Rear control unit	4
<b>Relay</b>		
S	Vehicle interior circuit 15 relay	
T	Rear window heater relay	
U	2nd seat row cup holder and sockets relay	
V	<b>BlueTEC:</b> AdBlue® relay	
X	1 st seat row/trunk refrigerator box and sockets relay	
Y	Spare relay	
ZR1	<b>Valid for engine 626:</b> Fuel filter heater relay	
ZR2	Reserve relay	
ZR3	Reserve relay	

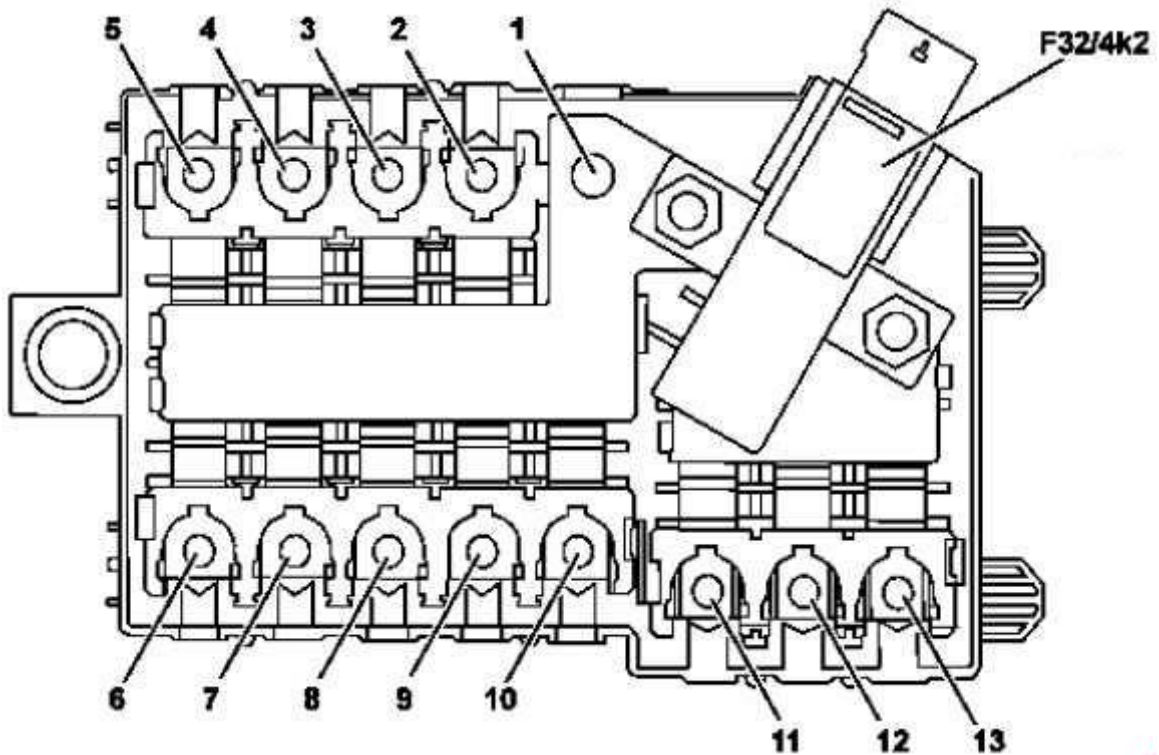
## Interior prefuse box



([http://fotohostingtv.ru/show.php/18816\\_knigaproavtoru05021525.jpg.html](http://fotohostingtv.ru/show.php/18816_knigaproavtoru05021525.jpg.html))

F96 - Additional battery circuit 30 fuses

F96/1 - Exhaust flaps circuit 87 fuses



([http://fotohostingtv.ru/show.php/18817\\_knigaproavtoru05021335.jpg.html](http://fotohostingtv.ru/show.php/18817_knigaproavtoru05021335.jpg.html))

F32/4k2 - Quiescent current cutout relay

No.	Fused component	A
1	Engine compartment prefuse box	-
2	<b>Hybrid:</b> Additional battery relay for ECO start/stop function	15
3	Blower regulator	4
4	Spare	-

5	<b>Valid for diesel engine:</b> PTC heater booster	15
6	Right A-pillar fuse box	8
7	Rear fuse and relay module	15
8	Spare	-
9	Spare	-
10	<b>Valid for transmission 722, 725:</b> Fully integrated transmission control unit	6
	<b>Hybrid:</b> Fully integrated transmission control unit	10
11	Spare	-
12	Rear fuse and relay module	4
13	Right A-pillar fuse box	5

Start Download - View PDF



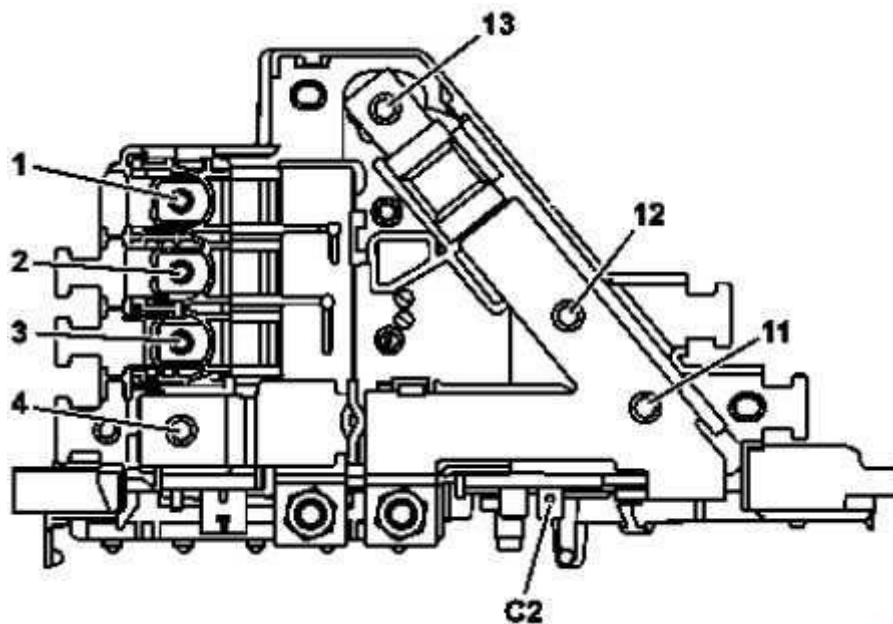
Ad Merge & Convert Files into PDFs w/ Eas

EasyPDFCombine

[Learn more](#)

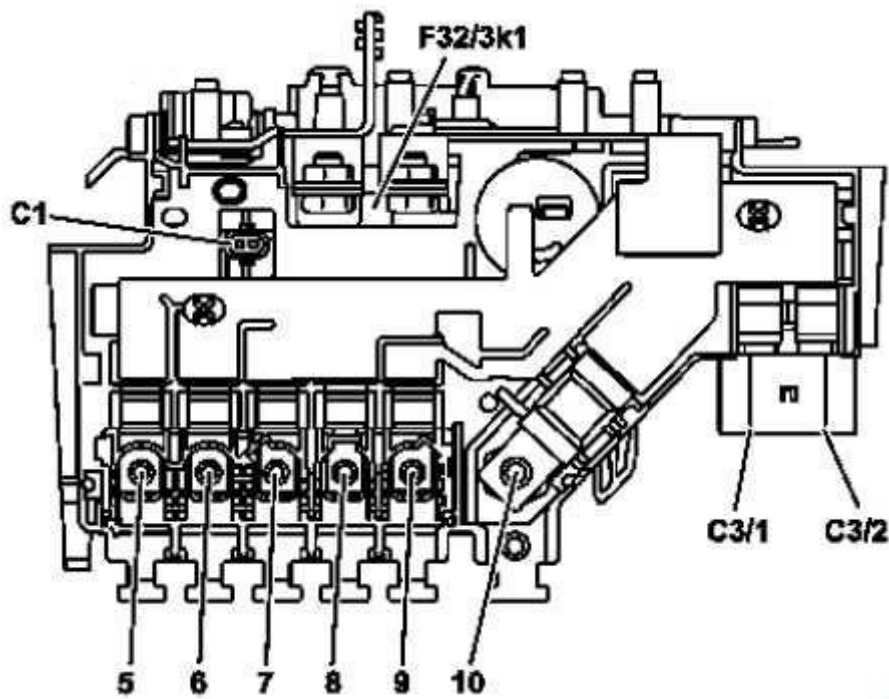
## Prefuse Box in Engine Compartment

Variant 1



([http://fotohostingtv.ru/show.php/18818\\_knigaproavtoru05021911.jpg.html](http://fotohostingtv.ru/show.php/18818_knigaproavtoru05021911.jpg.html))

Variant 2



([http://fotohostingtv.ru/show.php/18819\\_knigaproavtoru05021855.jpg.html](http://fotohostingtv.ru/show.php/18819_knigaproavtoru05021855.jpg.html))

F32/3k1 - Decoupling relay

No.	Fused component	A
1	Spare	-
2	<b>Valid for diesel engine:</b> Glow output stage	10
3	Engine fuse and relay module	6
4	On-board electrical system battery connection	-
5	Engine fuse and relay module	15
6	Left fuse and relay module	12
7	Fan motor (600 W / 850 W)	8
8	Electrical power steering control unit	12
9	Fan motor (1000 W)	15
10	Vehicle interior prefuse box	20
11	Spare	-
12	<b>Hybrid:</b> Power electronics control unit <b>With engine 651.9 and USA version:</b> Catalytic converter heater control unit	-
13	Alternator	40
C1	<b>Hybrid:</b> Decoupling relay	-
C2	<b>Hybrid:</b> Circuit 31	-
C3/1	<b>Valid except AMG:</b> Electronic Stability Program control unit	4
C3/2	Electronic Stability Program control unit	6





### Start Download - View PDF

Convert From Doc to PDF, PDF to Doc Simply With The Free Online App!

### Shop Related Products



Eppar New Steering Wheel Add-On 1PC for Mercedes Benz C-Class ... (http://aax-us-~~\$19.99~~amazon-adsystem.com/x/c/QsSPXh7rn... Steering-Mercedes-C-Class-2015-



class-w205-1800 diagram.html&slotNum=1&im... UAt18TZ79f8zGAnLu-Q&adType=smart&adMode=a...

\$41.93

(6)



CarsCover Custom Fit 2008-2014 Mercedes Benz C-Class C250 C300... (http://aax-us-~~\$159.95~~amazon-adsystem.com/x/c/QsSPXh7rn... 2008-2014-Mercedes-Weatherproof



Ultra... IV2... addl=... tive... 20&li... refUR... knig... class... benz- c-clas... diagram.html&slotNum=1&im... UAt18TZ79f8zGAnLu-Q&adType=smart&adMode=a...

\$11.98

(1)



4Pcs for Mercedes Benz After 2015 W205 C-Class C200 C250 C300 C35... (http://aax-~~\$29.99~~amazon-adsystem.com/x/c/QsSPXh7rn... After-C-Class-Stainless-Metal...



addl=... ive... 20&li... knig... benz- c-clas... diagram... UAt18TZ79f8zGAnLu-Q&adType=smart&adMode=a...

\$28.93 ~~\$32.99~~



ZXMOTO Console Gear Pane Cover Frame Trim For Mercedes Benz C C... (http://aax-us-east.amazon-adsystem.com/x/c/QsSPXh7rn... Console-Mercedes-2015-201



With... UAt18TZ79f8zGAnLu-Q&adType=smart&adMode=a...

\$32.99 ~~\$50.00~~

(4)

Ads by Amazon (http://aax-us-east.amazon-adsystem.com/x/c/QsSPXh7rnkYTzYk3WjDhREUAAAFknvLiMQEAAAFKAYFqOko/https://affiliate-program.amazon.com/home/ads/ref=sm\_n\_au\_dka\_CA\_logo?adId=logo&creativeASIN=logo&linkId=0df019cd3e692b428e9e0ef270454f1c&tag=148809-20&linkCode=w41&ref-refURL=http%3A%2F%2Fknigaproavto.ru%2Fshemy%2Ffen%2Fmercedes%2Fc-class%2F283-mercedes-benz-c-class-w205-fuse-diagram.html&slotNum=1&imprToken=RG-UAt18TZ79f8zGAnLu-Q&adType=smart&adMode=auto&adFormat=grid&impressionTimestamp=1531675401341&acms-src=nsa-ads&cid=nsa-ads)

(http://aax-us-east.amazon-adsystem.com/x/c/QsSPXh7rnkYTzYk3WjDhREUAAAFknvLiMQEAAAFKAYFqOko/https://www.amazon.com/adprefs/ref=sm\_n\_au\_dka\_CA\_ac?tag=148809-20&linkCode=w41)

Mercedes Benz C Class  
Sedan/Wagon (W203) Driver's  
Side Left Inner Do... (http://aax-  
us-east.amazon-  
adsystem.com/x/c/QsSPXh7rn...  
Benz-Class-Drivers-  
Handle/dp/B00LFSA86C/ref=...  
adId=B00LFSA86C&creativeA..  
20&linkCode=w41&ref-

2X LED Door Step Courtesy  
Laser Light Laser Shadow  
Logo Projector L... (http://aax-  
us-east.amazon-  
adsystem.com/x/c/QsSPXh7rn...  
Projector-Mercedes-Welcome-  
CNAutoLicht/dp/B0768WFWB...  
adId=B0768WFWBV&creative...  
20&linkCode=w41&ref-

Interior Front Reading Light  
Cover Trim For Mercedes Benz  
C Class W205 (14-17)  
(http://aax-us-east.amazon-  
adsystem.com/x/c/QsSPXh7rn...  
Front-Reading-Light-  
Mercedes/dp/B079QK8187/re...  
adId=B079QK8187&creativeA...  
20&linkCode=w41&ref-

Stainless Steel Pipe Tail Thro:  
Exhaust Black Cover Outputs  
Frame Cover... (http://aax-us-  
east.amazon-  
adsystem.com/x/c/QsSPXh7rn...  
Exhaust-Outputs-Mercedes-C-  
Class/dp/B075FMBFDC/ref=s...  
adId=B075FMBFDC&creative...  
20&linkCode=w41&ref-