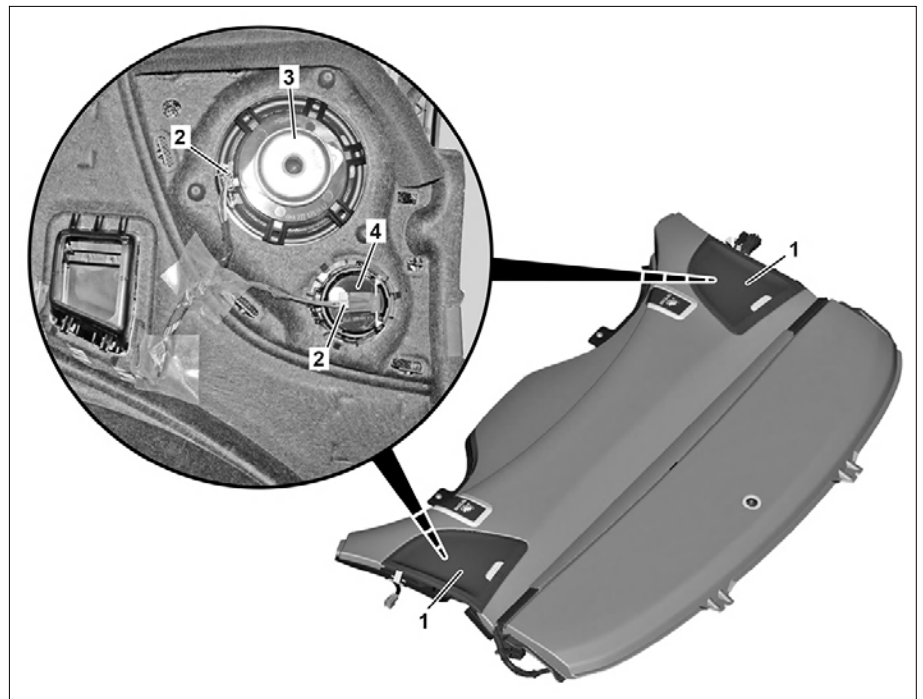


**Model 217.3**  
with code 810 (Sound system)

**Model 217.3**  
with code 811 (Advanced sound system)

- 1 Covers
- 2 Electrical connections
- 3 Rear midrange speaker
- 4 Rear tweeter



P82.62-4164-06

ⓘ	Information on preventing damage to electronic components due to electrostatic discharge		AH54.00-P-0001-01A
⊞ ⊞	<b>Remove/install</b>		
1	Remove front part of rear shelf	Model 217.3 with code 810 (Sound system) Model 217.3 with code 811 (Advanced sound system)	AR68.30-P-4581LC
2	Remove left or right covers (1)		
3	Disconnect electrical connector (2) at rear left or right midrange speaker (3) or rear left or right tweeter (4)		
4	Unclip rear left or right midrange speaker (3) or rear left or right tweeter (4) from above	When removing the rear left/right midrange speaker (3).	
5	Install in the reverse order		