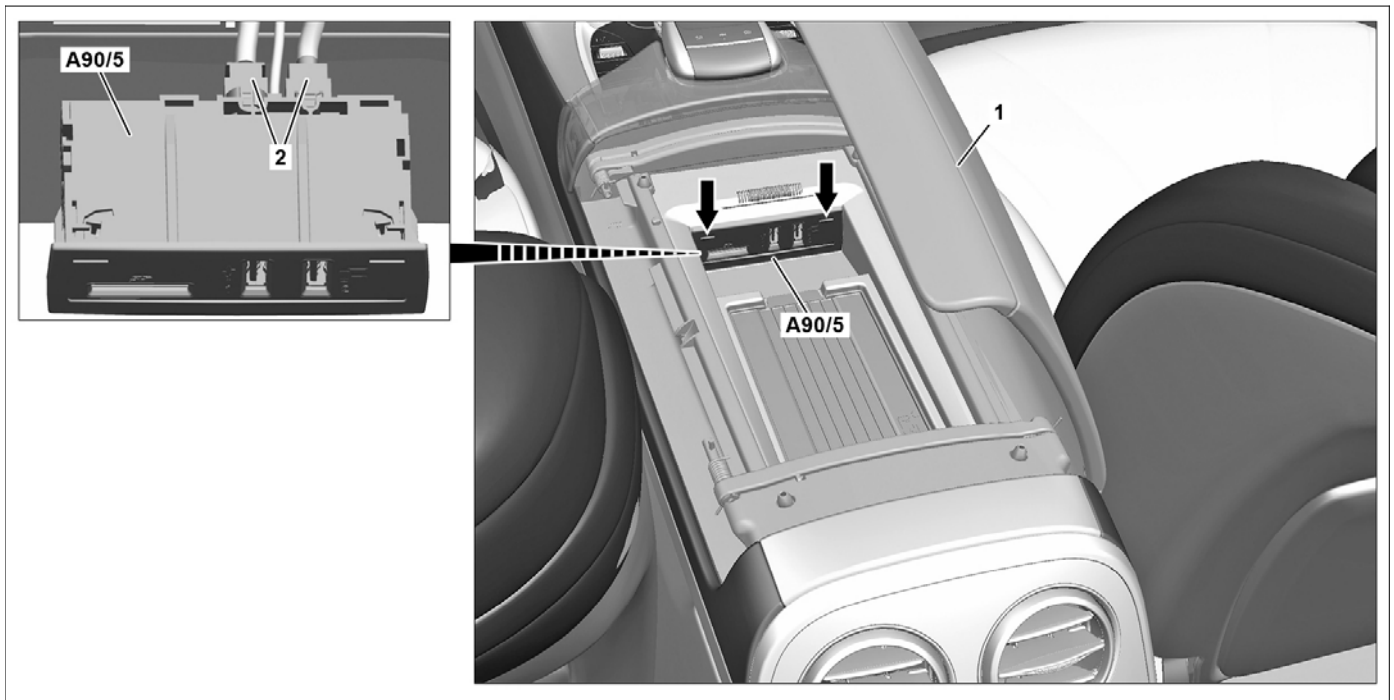


Model 217, 222
as of model year 2018



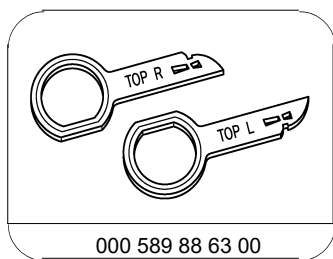
P82.60-A133-09

1 Armrest

2 Electrical connectors

A90/5 Multimedia connection unit

	Information on preventing damage to electronic components due to electrostatic discharge		AH54.00-P-0001-01A
	Remove/install		
1	Switch off ignition and store transmitter key outside of transmitter range (min. 2 m).		
2	Open armrest (1).		
3	Insert removal fixtures into openings (arrows) and unclip multimedia connection unit (A90/5).	Removal assembly	*000589886300
4	Pull out multimedia connection unit (A90/5) until electrical connectors (2) are accessible.		
5	Release and disconnect electrical connectors (2) then remove multimedia connection unit (A90/5).		
6	Install in the reverse order.		



000 589 88 63 00

Removal assembly