

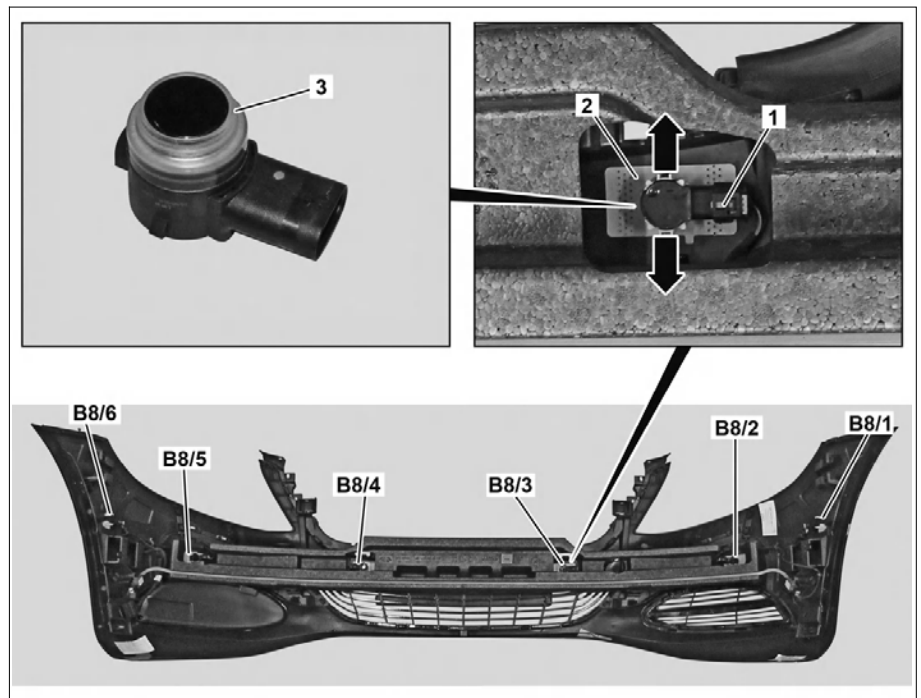
Model 217

Model 222

with code 235 (Active Parking Assist with PARKTRONIC)

Shown on model 222

- 1 Electrical connector
 2 Bracket
 3 Seal
- B8/1 Outer left front parking system distance sensor
 B8/2 Center left front parking system distance sensor
 B8/3 Inner left front parking system distance sensor
 B8/4 Inner right front parking system distance sensor
 B8/5 Center right front parking system distance sensor
 B8/6 Outer right front parking system distance sensor



P54.65-4978-06

☒ ☒	Remove/install		
1	Remove front bumper	MODEL 217 MODEL 222	AR88.20-P-2000LC AR88.20-P-2000LF
2	Unlock electrical connection (1) at front parking system distance sensors (B8/1-6) and pull off		
3	Release retaining lugs (arrows) and remove front parking system distance sensors (B8/1-6) from corresponding brackets (2)	<p>i Check seal (3).</p> <p>i Installation: Pay attention to installation position.</p>	
4	Install in the reverse order		
☐	Check		
5	Perform function test		