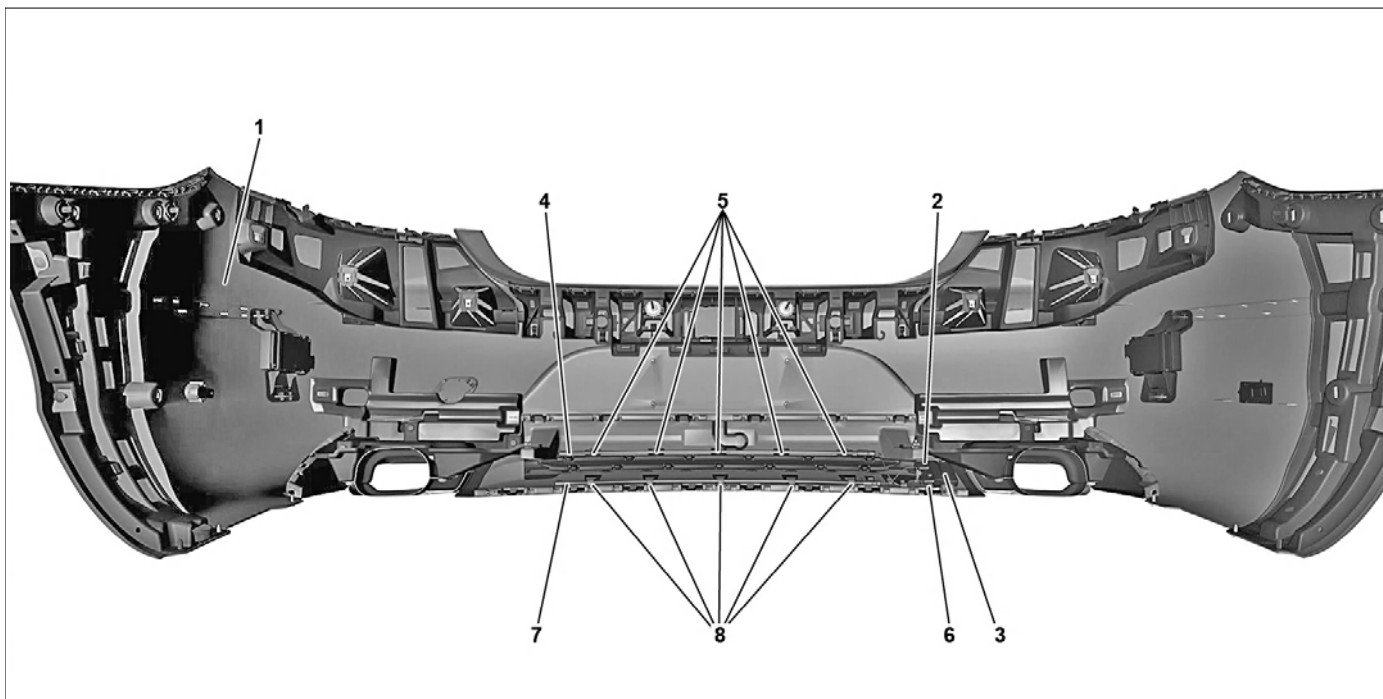






MODEL 217
with CODE P17 (KEYLESS-GO package)



P80.61-2749-09

- | | |
|--------------------------------------|--------------------------------------|
| 1 Rear bumper | 5 Bracket |
| 2 Electrical connector | 6 Electrical connector |
| 3 Rear switching module | 7 Rear switching module lower sensor |
| 4 Rear switching module upper sensor | 8 Bracket |

 	Remove/install		
1	Remove rear bumper (1)		AR88.20-P-2200LC
2	Disconnect electrical connector (2) from rear switching module (3)	When removing upper rear switching module sensor (4).	
3	Expose electrical lines on upper rear switching module sensor (4)	When removing upper rear switching module sensor (4).  Ensure that electrical lines of upper rear switching module sensor (4) are routed and fastened correctly.	
4.1	Unclip upper rear switching module sensor (4) from bracket (5) and remove	When removing upper rear switching module sensor (4).	
4.2	Disconnect electrical connector (6) from rear switching module (3)	When removing lower rear switching module sensor (7).	
5	Expose electrical lines on lower rear switching module sensor (7)	When removing lower rear switching module sensor (7).  Ensure that electrical lines of lower rear switching module sensor (7) are routed and fastened correctly.	
6	Unclip lower rear switching module sensor (7) from bracket (8) and remove	When removing lower rear switching module sensor (7).	
7	Install in the reverse order		