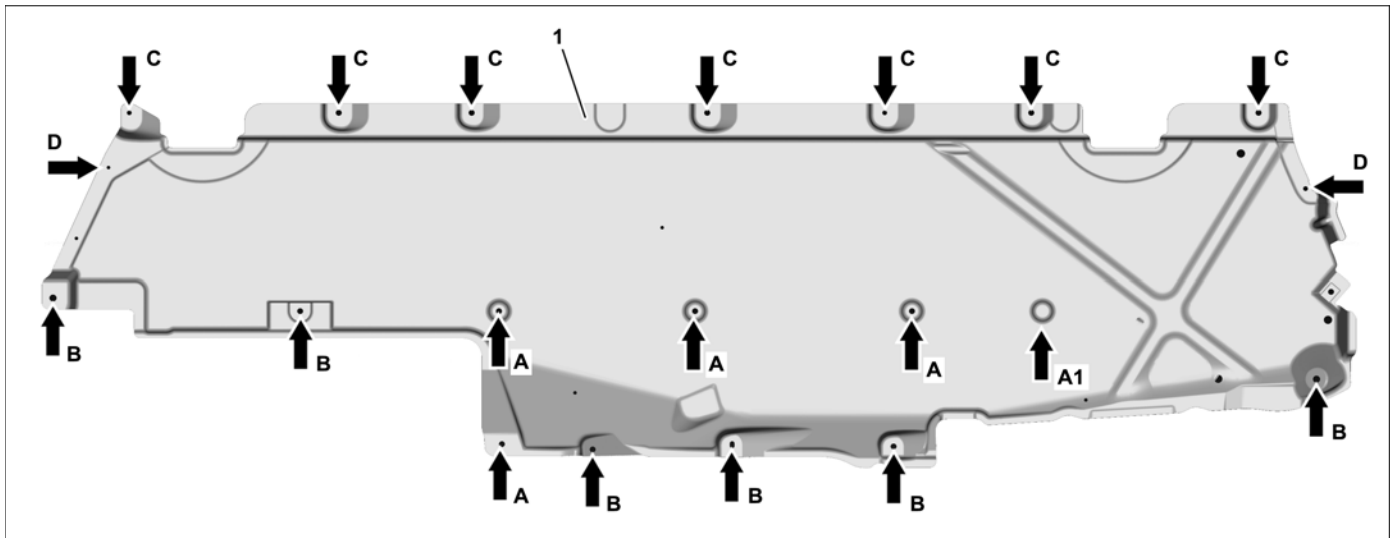


Model 217, 222



P61.30-2040-08

Shown on model 222.0

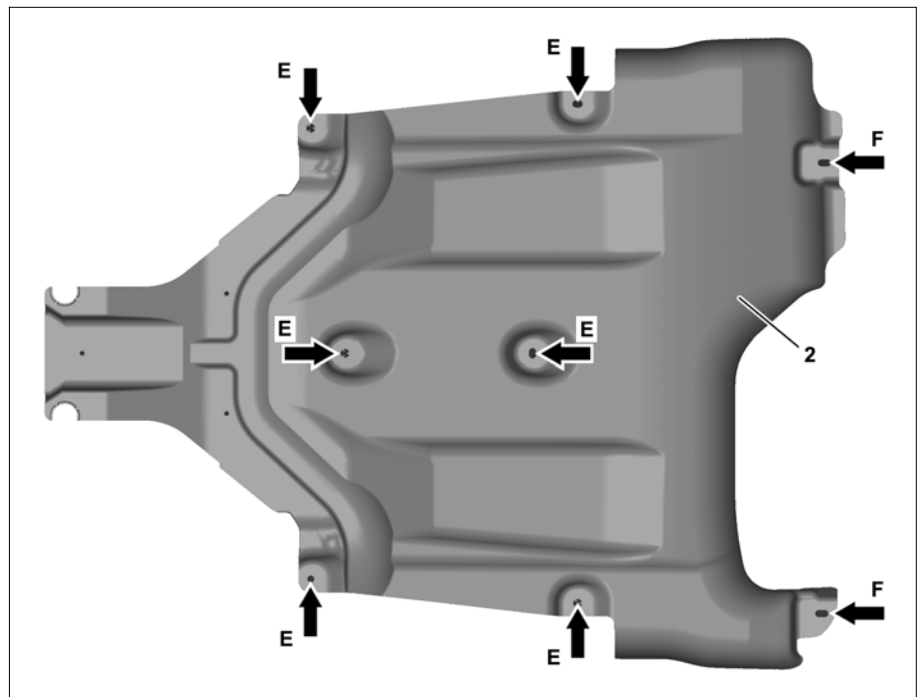
- 1 Side underfloor paneling
- A Expansion clips

- A1 Expansion clips
- B Bolts

- C Nuts

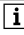
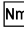

Shown on MODEL 222.0 with CODE 413 (Panoramic sliding roof)

- 2 Rear section of undercarriage paneling
- E Nuts (position and number of nuts can vary)
- F Nuts (position and number of nuts can vary)



P61.30-2041-06

	<b>Risk of death</b> caused by vehicle slipping or toppling off of the lifting platform.	Align vehicle between vehicle lift columns and position the four support plates at the vehicle lift support points specified by the vehicle manufacturer.	AS00.00-Z-0010-01A
	<b>Remove/install</b>		
1	Raise vehicle with vehicle lift		
	<b>Remove side underfloor paneling (1)</b>		
2	Unscrew nuts (C)		
3	Unscrew bolts (B and D)		

4	Detach engine compartment paneling until side underfloor paneling (1) can be removed		
5	Remove expansion rivets (A and A1) and remove side underfloor paneling (1)	 Model 222.1 The expansion rivet (arrow A1) is only installed on MODEL 222.1##.	
	<b>Remove rear underfloor paneling (2)</b>		
6	Unscrew bolts on cross strut and detach cross strut	Model 222 with code 413 (Automatic panoramic sliding sunroof) Model 222 with code 419 (Solar module for interior ventilation)  Screw/bolt, rear diagonal strut to bracket/spare wheel well	*BA61.10-P-1009-01K
7	Unscrew nuts (E and F) and remove rear underfloor paneling (2)	 The number of nuts (E and F) can vary.	
8	Install in the reverse order		

 **Frame floor assembly**

Number	Designation		Model 222.0/1/9
BA61.10-P-1009-01K	Screw/bolt, rear diagonal strut to bracket/spare wheel well	Nm	50