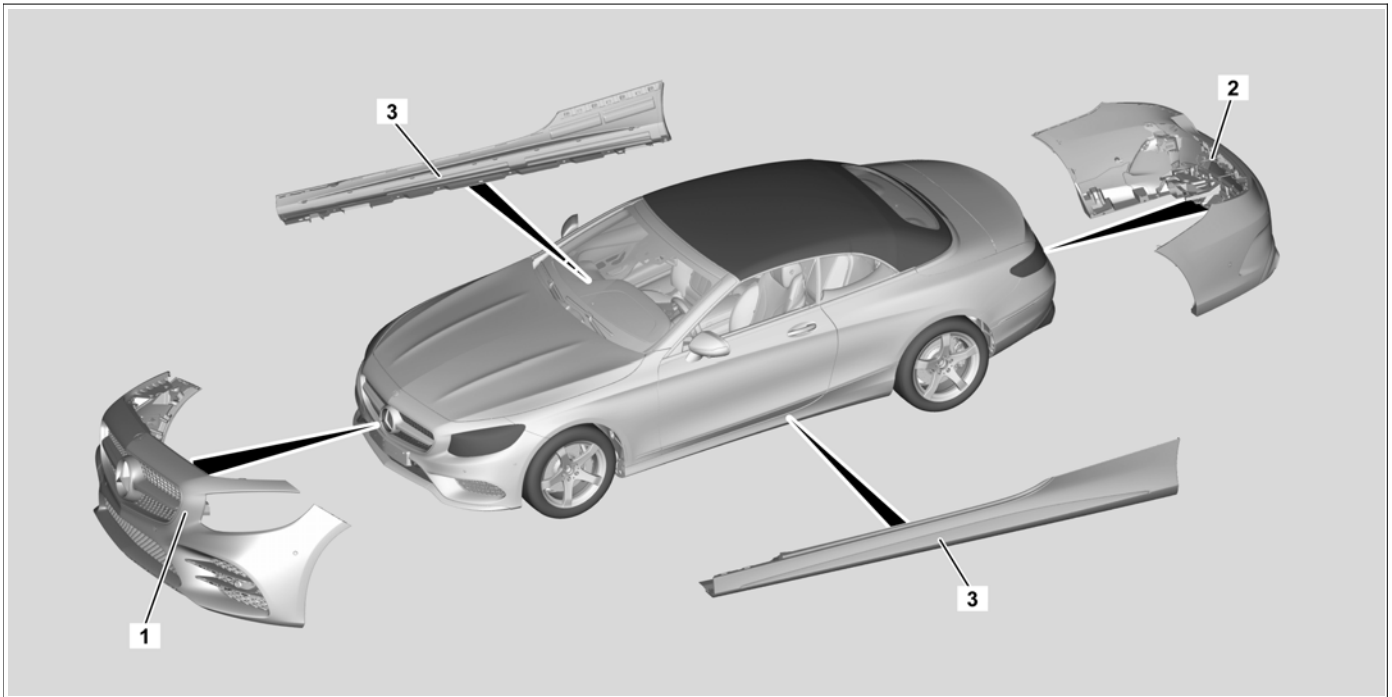


Model 217.3 (except 217.377/378/379/387/388), 217.4 (except 217.477/478/479/487/488)
as of model year 2018
with code 772 (AMG styling - Front spoiler, side skirts)



P88.00-2655-09

1 Front bumper
2 Rear bumper

3 Left and right longitudinal member panels

	Risk of death caused by vehicle slipping or toppling off of the lifting platform.	Align vehicle between vehicle lift columns and position the four support plates at the vehicle lift support points specified by the vehicle manufacturer.	AS00.00-Z-0010-01A
	Remove		
1 	Print and fill out form "Extract from EH type-approval certificate". AMG styling package, certificate	Only for Germany.	OF88.00-P-1000-02LCA
2 	Remove front bumper (1).	Remove the parts required for conversion from the standard bumper.	AR88.20-P-2000LC
3 	Remove rear bumper (2).	Remove the parts required for conversion from the standard bumper.	AR88.20-P-2200LC
4 	Remove left and right longitudinal member panels (3).	The left and right longitudinal member panels (3) are no longer required.	AR88.80-P-6000LC
5 	Remove front engine compartment lining.	The front engine compartment lining is no longer required.	AR61.20-P-1105LF
	Install		
6	Changing front bumper. Notes on pedestrian protection sensor	Mit Code U60 (Aktive Motorhaube (Fussgängerschutz))	AZ88.00-P-0001-02LCA AH91.60-P-0001-01A

		<p>i The trim parts in the accessories and replacement part scope of delivery are primed and should be painted to match the color of the car before installation.</p> <p>i The parts listed in the parts ordering note in addition to the bumper are not included and must be ordered separately according to the specific equipment variant or national version).</p>	
7 AR	Install front bumper (1).		AR88.20-P-2000LC
8 AR	Install top rear switch module sensor and bottom rear switch module sensor in the rear switch module bracket.	With CODE P17 (KEYLESS-GO package)	AR80.61-P-0012LC
9 AR	Install rear switch module in the rear switch module bracket.	With CODE P17 (KEYLESS-GO package)	AR80.61-P-0011LF
10	Changing rear bumper.	<p>i The parts listed in the parts ordering note in addition to the bumper are not included and must be ordered separately according to the specific equipment variant or national version).</p> <p>i The trim parts in the accessories and replacement part scope of delivery are primed and should be painted to match the color of the car before installation.</p>	AZ88.00-P-0001-03LCA
11 AR	Install rear bumper (2).		AR88.20-P-2200LC
12 AR	Install the AMG-specific front engine compartment lining.		AR61.20-P-1105LF
13 AR	Install the AMG-specific left and right longitudinal member panels (3).	<p>i The trim parts in the accessories and replacement part scope of delivery are primed and should be painted to match the color of the car before installation.</p> <p>i Transfer attachment parts from series production parts and check for damage, replace if necessary.</p>	AR88.80-P-6000LC
14.1	Install bumper area camera cover.	Model 217.3/4 except for code 501 (360° camera)	
14.2 AR	Install 360° camera with bracket.	Model 217.3/4 with code 501 (360° camera)	AR54.30-P-3001LC
	Update Vehicle Documentation (VeDoc)		
15	Document retrofitted equipment via the vehicle documentation (VeDoc).	i Attach note "AMG trim parts retrofitted according to AZ88.00-P-0001LCA" under field organization texts to design group 88.	

Parts ordering note

Part no.	Designation	Quantity
A 217 885 33 00	Front bumper paneling	1
A 217 885 34 00	Towing eye cover	1
A 217 885 35 00	Center front bumper basic carrier	1
A 217 885 36 00	Left front bumper basic carrier	1
A 217 885 37 00	Right front bumper basic carrier	1
A 217 885 06 15	Camera bracket (with code 501 (360° camera))	1
A 217 885 54 01	Bumper area camera cover except for code 501 (360° camera))	1
A 217 885 71 01	Front spoiler	1
A 217 885 38 00	Front center vent grille	1
A 217 885 39 00	Front left vent grille	1
A 217 885 40 00	Front right vent grille	1
A 217 885 27 01	Front left PTS bracket	1
A 217 885 28 01	Front right PTS bracket	1
A 217 885 41 00	Upper left trim strip	1
A 217 885 42 00	Lower left trim strip	1
A 217 885 43 00	Upper right trim strip	1

A 217 885 44 00	Lower right trim strip	1
A 217 885 45 00	Front left bumper area cover	1
A 217 885 46 00	Front right bumper area cover	1
A 217 885 48 00	Front center trim strip	1
A 217 880 72 00	Impact absorber (ECE)	1
A 217 880 73 00	Impact absorber (USA)	1
A 217 880 50 00	License plate holder (ECE)	1
A 217 880 51 00	License plate holder (Italy)	1
A 217 880 52 00	License plate holder (Switzerland)	1
A 217 880 53 00	License plate holder (Japan)	1
A 217 880 54 00	License plate holder (China)	1
A 217 880 55 00	Bracket for the license plate holder (Italy, Japan, China, USA)	1
A 217 885 02 25	Rear bumper paneling	1
A 217 885 04 25	Rear bumper trim (USA except for code 235 (Active Parking Assist with PARKTRONIC))	1
A 217 885 05 25	Rear bumper trim (USA with code 235 (Active Parking Assist with PARKTRONIC))	1
A 217 885 07 24	Rear towing eye cover	1
A 217 885 98 00	Rear left bracket (with code 233 (DISTRONIC PLUS) or with code 234 (Blind Spot Assist))	1
A 217 885 99 00	Rear right bracket (with code 233 (DISTRONIC PLUS) or with code 234 (Blind Spot Assist))	1
A 217 885 11 24	Left rear bumper area cover (USA)	1
A 217 885 12 24	Right rear bumper area cover (USA)	1
A 217 885 12 37	Left rear absorber (USA)	1
A 217 885 13 37	Right rear absorber (USA)	1
A 217 885 69 01	Inner left rear absorber (USA)	1
A 217 885 70 01	Inner right rear absorber (USA)	1
A 217 690 19 00	Left rear wheel arch cover (ECE)	1
A 217 690 20 00	Right rear wheel arch cover (ECE)	1
A 217 690 21 00	Lower left rear wheel arch cover (Japan)	1
A 217 690 22 00	Lower right rear wheel arch cover (Japan)	1
A 217 885 11 65	Left frame segment	1
A 217 885 12 65	Right frame segment	1
A 217 885 04 01	Rear switching module bracket	1
A 217 885 06 01	Left exhaust tip bracket	1
A 217 885 07 01	Right exhaust tip bracket	1
A 217 885 10 01	Lower rear trim	1
A 222 820 07 74	Left reflector lens	1
A 222 820 08 74	Right reflector lens	1
A 217 885 14 01	Rear trim strip (high-gloss chrome)	1
A 217 888 04 23	All-around visibility trim grille (with code 501 (360° camera))	1
A 217 888 05 23	All-around visibility trim grille (with code 501 (360° camera) and code 610 (Night View Assist))	1
A 217 690 23 01	Longitudinal member panel (set)	1
A 217 524 01 00	Front engine compartment lining	1