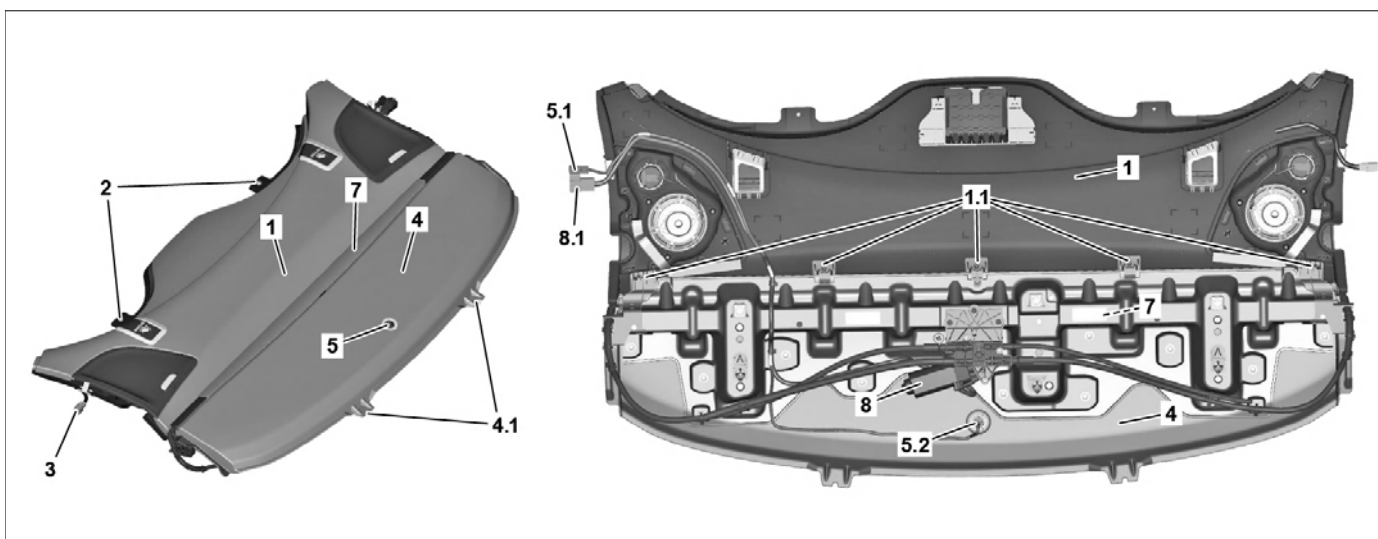


MODEL 217.3



P68.30-3773-08

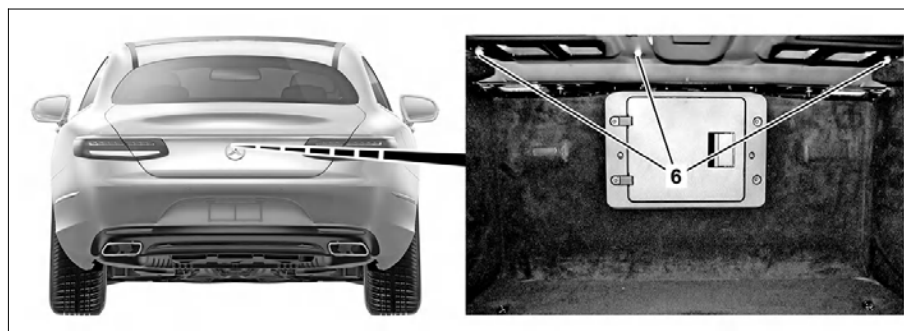
Shown vehicle with CODE 540 (Electric roller sun blind for rear window)

- 1 Front of rear shelf
- 1.1 Lugs
- 2 Bolts

- 3 Electrical connector
- 4 Rear of rear shelf
- 4.1 Guides

- 5.1 Electrical connector
- 8.1 Electrical connector

- 6 Bolts



P68.30-3774-04

	Risk of injury caused by fingers being jammed or pinched when removing, installing or aligning hoods, doors, trunk lid/rear-end door or sliding roof.	No parts of the body or limbs should be within the operating area when the components are moving.	AS00.00-Z-0011-01A
i	Notes on sensor system for trunk lid opening/closing		AH80.61-P-0001-01A
↔ ↔	Remove/install		
1	Remove upper paneling from C-pillars		AR68.30-P-4490LC
2	Remove backrest in rear		AR91.12-P-1620LF
3	Unscrew bolts (2) from front of rear shelf (1)		
4	Lift front of rear shelf (1) and disconnect electrical connector (3) from speakers		
5	Remove front of rear shelf (1) toward front	i Installation: Ensure that lugs (1.1) are seated correctly.	
6	Unscrew bolts (6) in trunk	When removing rear of rear shelf (4)	
7	Disconnect electrical connectors (5.1, 8.1)	When removing rear of rear shelf (4)	
		i MODEL 217.3 with CODE 540 (Electric sunblind for rear window) Electrical connector (8.1) only on vehicles with CODE 540 (Electric roller sun blind for rear window).	
8	Remove rear of rear shelf (4) toward front	When removing rear of rear shelf (4)	

		i Installation: Ensure that guides (4.1) are seated correctly.	
9	Install in the reverse order		