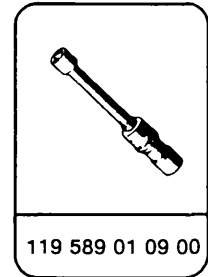
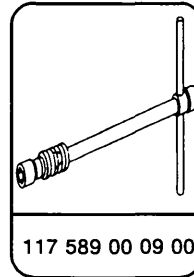
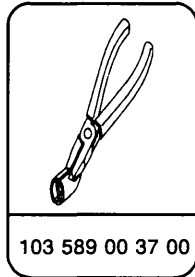
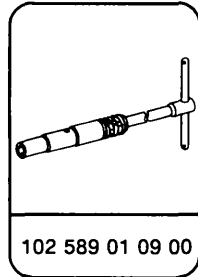
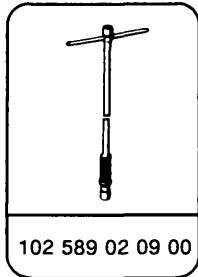


## Gasoline engines

### Torque specifications

	Nm
Spark plugs with taper seat	10-20
Spark plugs with gasket	25-30

### Special tools

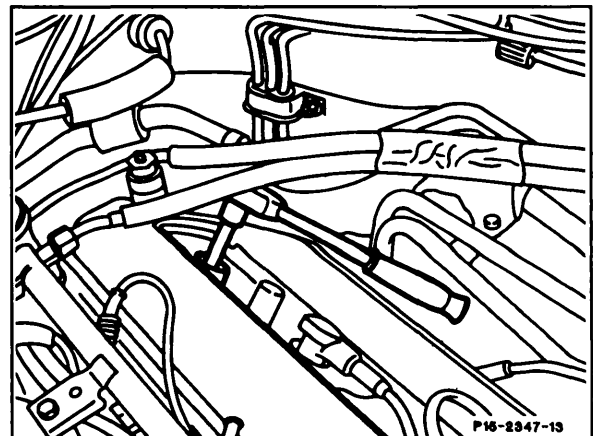
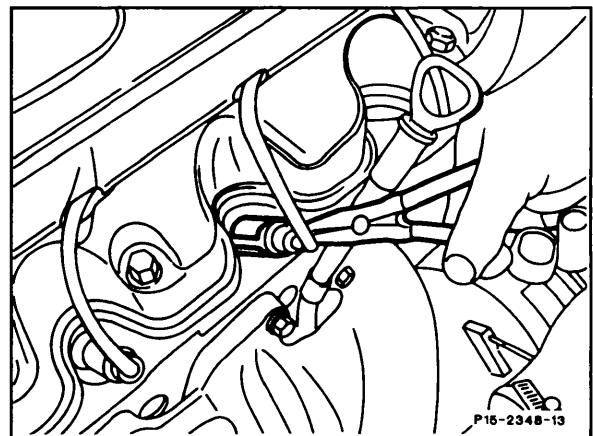


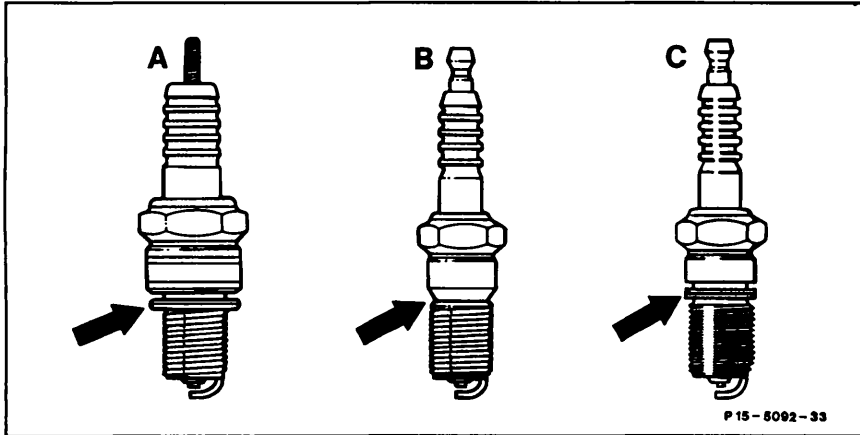
### Engines 102.983, 104, 119

- Remove spark plug valley cover.

### All engines

- Twist spark plug connector slightly and pull off using special tool 103 589 00 37 00.
- Blow out recesses with compressed air.





- A flat seat (A)
- B tapered seat (B)
- C flat seat (C)

**CFI fuel injection**

Motor	Spark plug seal	Spark plug wrench
102, 103	Tapered seat (B)	102 589 01 09 00
104, 119	Flat seat (C)	120 589 02 09 00 1)
116, 117	Flat seat (A)	117 589 00 09 00

1) Insert commercially available torque wrench

**LH-SFI fuel injection**

Motor	Spark plug seal	Cylinder	Spark plug wrench
104	Flat seat (C)	all	119 589 01 09 00
119	Flat seat (C)	1-3 and 5-7	120 589 02 09 00 1)
		4 and 8	119 589 01 09 00
120	Flat seat (C)	1-5 and 7-12	120 589 02 09 00 1)
		6	119 589 01 09 00

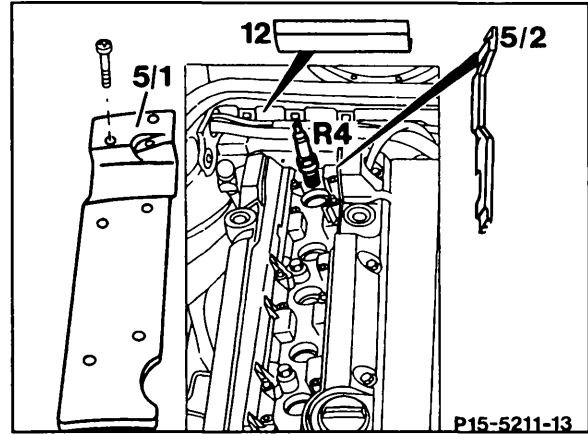
1) Insert commercially available torque wrench

## Spark plug cover, removal and installation

### Engine 104 HFM-SFI

Remove air cleaner crossover duct, wiring cover, ignition cable cover (5/1), and guide rail (5/2).

Installation is in the reverse order of removal.

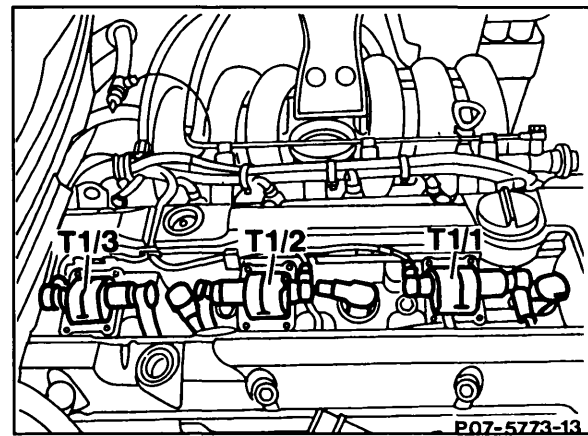


## Ignition coils, removal and installation

### Engine 104 HFM-SFI

Remove ignition coils and cables with associated wiring.

Installation is in the reverse order of removal.



## Partial removal of wiring conduit

### Engine 120

Pull weatherstripping off partially. Remove covers for ignition control module (A) and for wiring harness (B).

Remove screws for wiring conduit. Disengage wiring conduit and push forwards.

