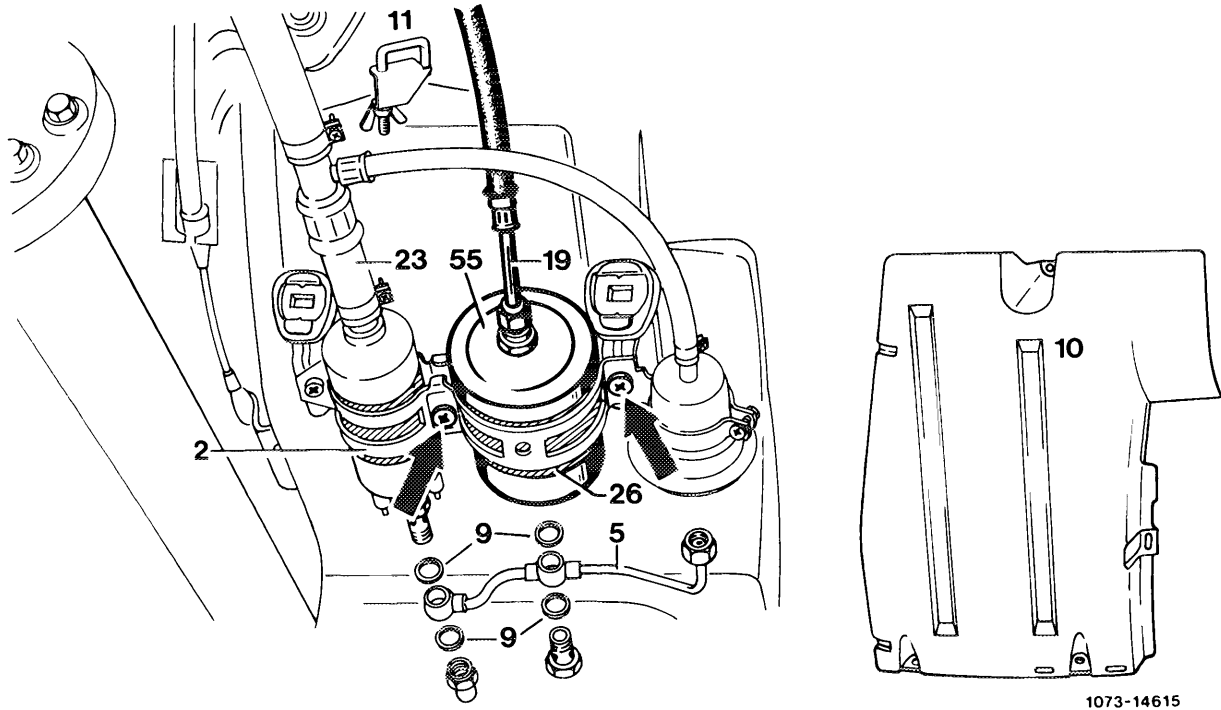


07.3-275 Removal and installation of fuel filter

Job No. of work unit or standard texts and flat rates data 07-5563

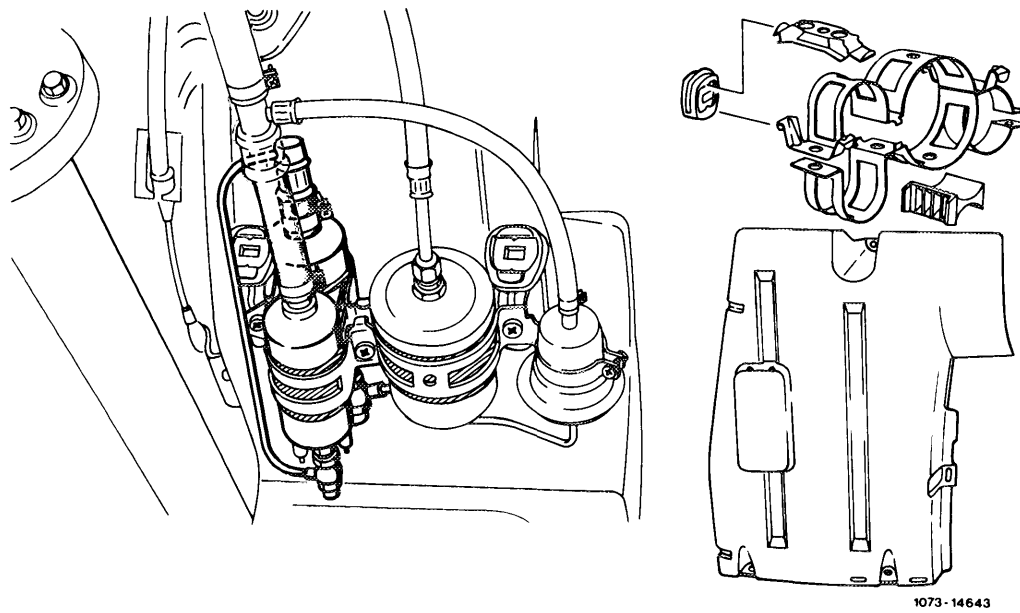
Model 124

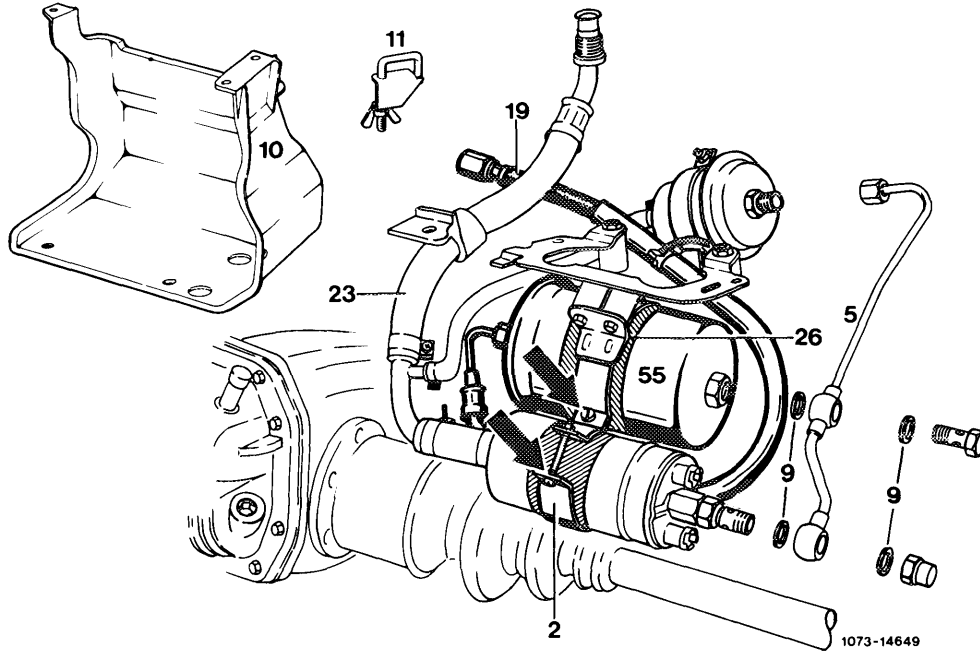
Fuel pump package with 1 fuel pump



Model 124

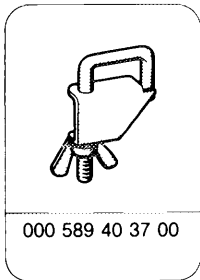
Fuel pump package with 2 fuel pumps





- | | |
|---|---|
| Gauge pressure in fuel tank | Reduce gauge pressure, open closing cap for this purpose |
| Battery | Disconnect and connect |
| Protective box (10). | Screw off and on |
| Fuel suction (23) and pressure hose (19). | Pinch with clamp (11) and remove
Special tool 000 589 40 37 00
Attention!
On model 124.090 pay attention to Note (07.3—280) |
| Fuel line (5) | On fuel accumulator, fuel pump and fuel filter, screw off and on |
| Fuel pressure hose (19) | Screw off and on |
| Fastening screws (arrows) | Loosen on holder (2) and remove fuel filter (55) |
| Plastic sleeve (26). | Mount. (Pay attention to Note) |
| Sealing rings (9) | Replace |
| Run engine | Check for leaks |

Special tool



Note

To avoid contact corrosion the fuel filter is provided with a plastic jacket or a plastic sleeve.

When replacing fuel filter, make sure that the plastic sleeve is mounted between fuel filter (55) and holder (2). The sleeve should project on both sides of holder, since direct contact of fuel filter with holder may lead to contact corrosion.