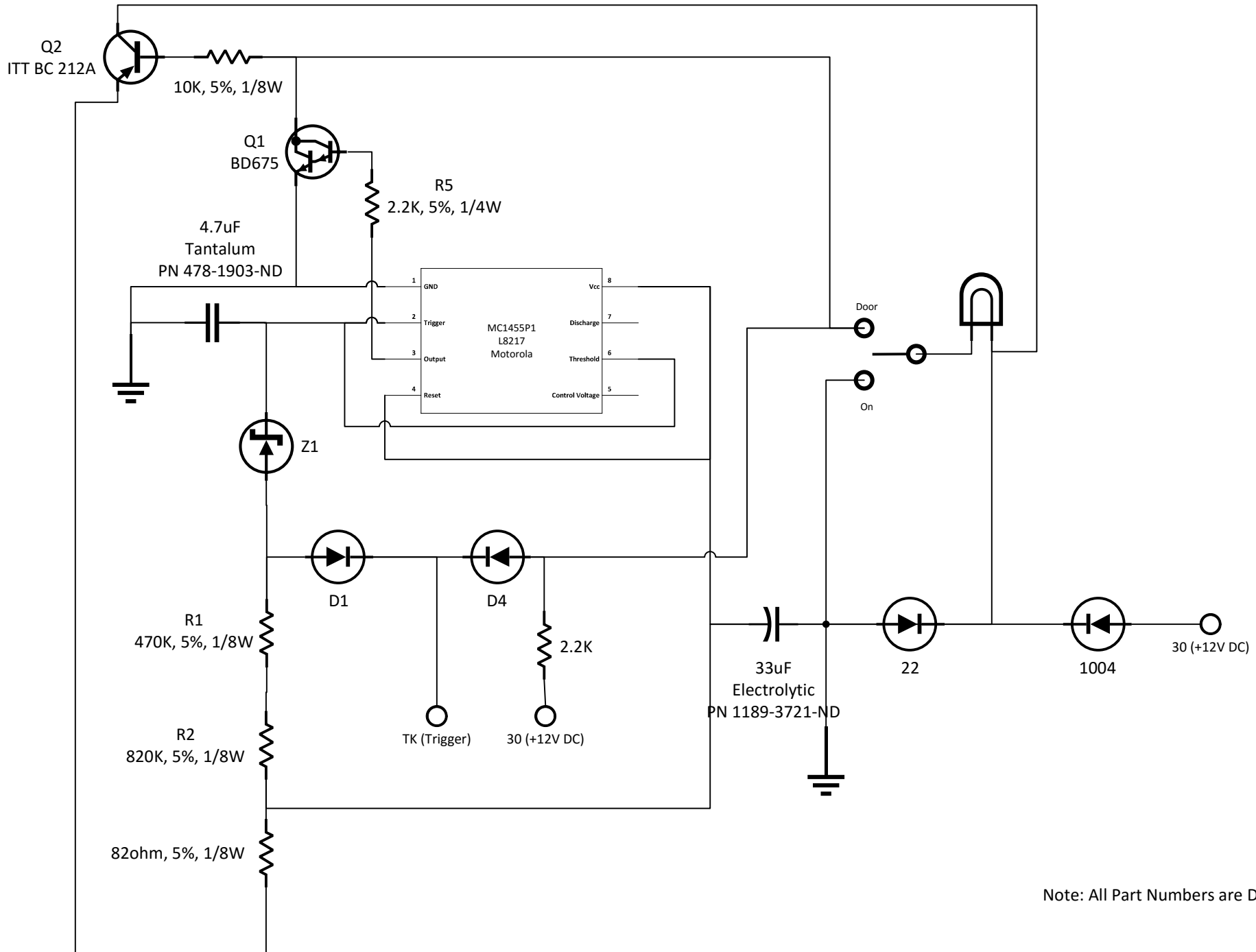


Time Delay Relay for 1983 Mercedes 380SEC



Note: All Part Numbers are Digi-Key