

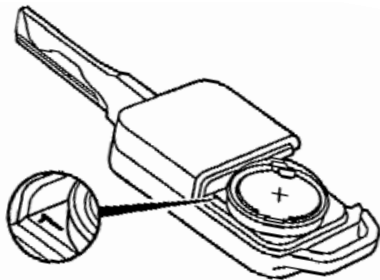
FACTORY SERVICE BULLETINS

Infrared Remote Central Locking System

All Models beginning in 1996

On each of these systems, it is critical to let your dealer have accurate information about the specific vehicle in question, not only its model year but any other information you may gather. Parts must follow the correct parts number, or the remote locking system will not function properly.

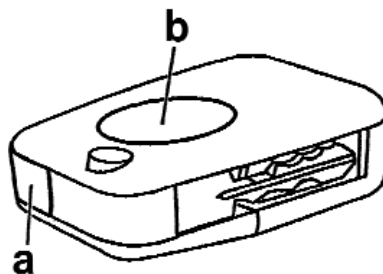
IR transmitters have an engraved numeral in the transmitter housing battery compartment. The transmitters that came with the car have numerals 1 and 2. Up to five additional IR transmitter ID's are available for each vehicle, numbered 4 through 8.



The remote locking system control module retains a memory for each individual transmitter used. This means that if a replacement transmitter had the same identification number as an existing one, the existing one would be automatically desynchronized from the control unit as soon as you synchronize the new one.

Here's how you synchronize a

new one:



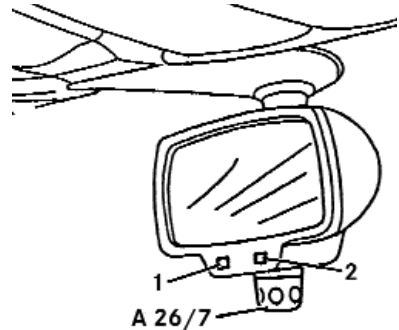
For 129's and 140's up to a build date of November 1993, point the transmitter window (a) toward an IR receiver and press the IR transmitter button (b). Then within 30 seconds, lock or unlock the vehicle using the mechanical key. Now the vehicle is synchronized to that transmitter.

For 129 and 140 from December 1993 to the beginning of 1995, point the IR transmitter window (a) at a receiver and press the button (b). Now within 30 seconds, switch on the ignition. Now that vehicle is synchronized to that transmitter.

As of model year 1996 for all models, point the transmitter window (a) toward the receiver (A26/7) at the bottom of the interior rearview mirror. Press the button twice. Then using the mechanical key, switch the ignition on within 30 seconds. Now that vehicle and transmitter are synchronized.

What can go wrong? Well, for one, the batteries in the transmitter may be dead or the contacts too resistant. Here's how to check that: Press and hold the transmitter

button (b) for more than one second. An LED in the transmitter window (a) should light to show the batteries are functional. If not, replace the battery or clean the contacts.



That's not all, folks. You can also check to see whether the transmitter sends a signal using an IR Signal Indicator Card (like Radio Shack 276-0099). Follow the instructions that come with the card. The Mercedes-Benz Diagnostic Manual outlines the procedure to determine whether the vehicle then correctly reads the signal.

How can you determine the IR signal code? You can't, of course! That's the whole point of a central LOCKING system.

What if a transmitter is lost or stolen? Using the Mercedes-Benz Hand-Held Tester, you can irrevocably block a specific transmitter through the available menus. Do so only with the consent of the owner, obviously, and check all the transmitters he or she wants to retain, noting the numerals 1, 2 or 4 through 8 in those still on hand. Process of elimination tells you the numeral of the transmitter lost or stolen.