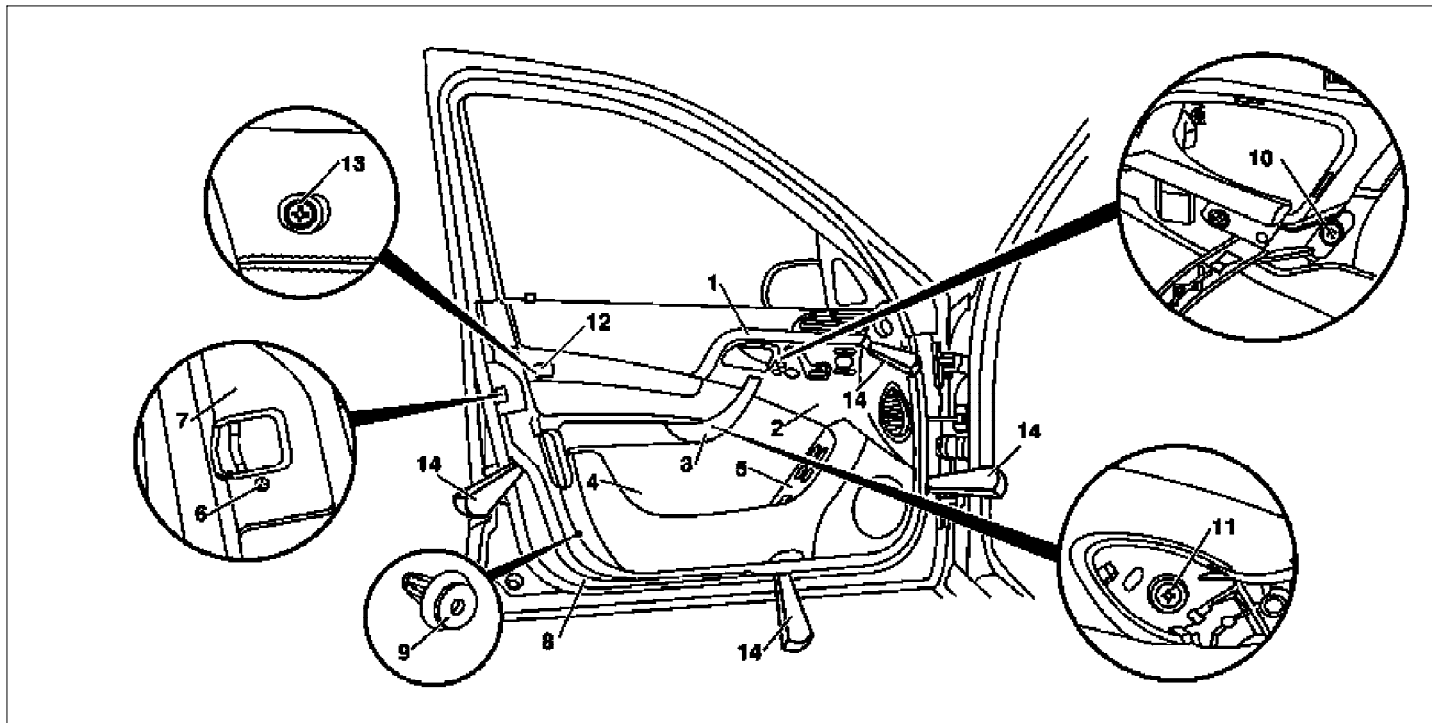


MODEL 220

except CODE (Z07) Top protection

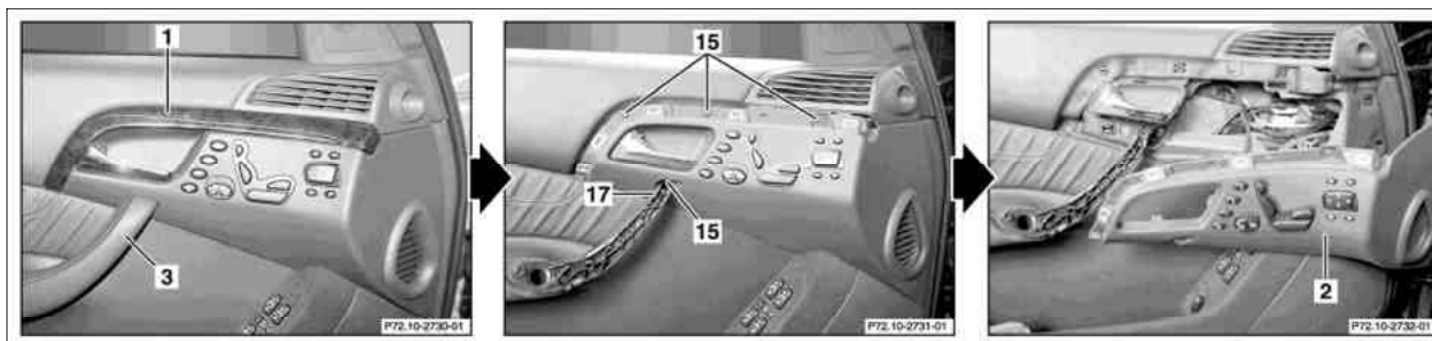
except CODE (Z04) Light armoring



P72.10-0579-09

Shown on model 220 up to VIN: 316716

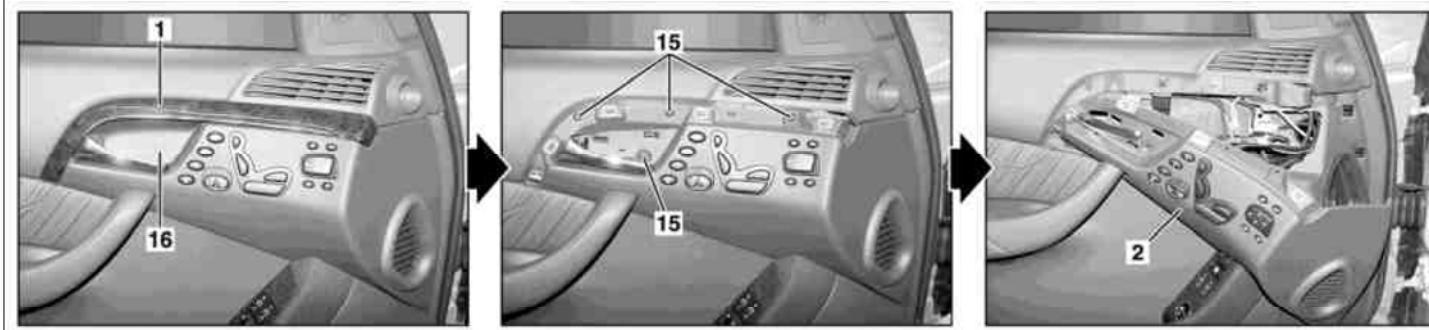
- | | | | | | |
|---|-------------------|---|-----------------------|----|-----------------|
| 1 | Trim strip | 5 | Cover on switch group | 9 | Fastening clips |
| 2 | Covering | 6 | Screw | 10 | Screw |
| 3 | Door handle cover | 7 | Lock rosette | 11 | Screw |
| 4 | Door lining | 8 | Inner door panel | 12 | Cover |
| | | | | 13 | Screw |



P72.10-2733-07

Shown on model 220 up to VIN: 316716

- | | | | | | |
|---|------------|---|-------------------|----|-------|
| 1 | Trim strip | 2 | Covering | 15 | Bolts |
| | | 3 | Door handle cover | 17 | Cap |



P72.10-2729-07

Shown on model 220 As of VIN: 316717

1 Trim strip

2 Covering

15 Bolts

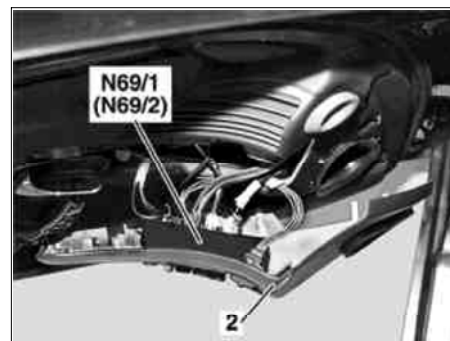
16 Door opener cover

Shown on model 220 up to VIN: 316716

2 Covering

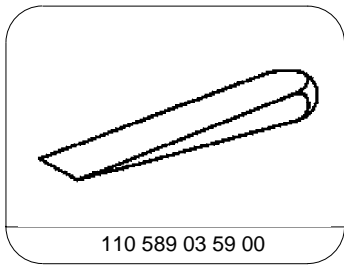
N69/1 Left front door control unit

N69/2 Right front door control unit



P72.10-0581-01

	Remove/Install		
1	Press trim strip (1) out of covering (2)		*110589035900
2.1	Remove door handle cover (3) from door handle		Up to VIN :316716
2.2	Remove door opener cover (16)		As of VIN: 316717
3.1	Unclip cap (17)		Up to VIN :316716
4	Remove screws (15)		
5	Press covering (2) off of door lining (2)		*110589035900
6	Disconnect electrical connector from left front door control unit (N69/1) and right front door control unit (N69/2)		For this purpose, remove covering (2)
7	Unclip cover on switch group (5) with switch group from door lining (4)		For this purpose, pull cover on switch group (5) downward at bottom edge until cover on switch group (5) can be removed
8	Unscrew bolt (6) from round cover plate (7)		For this purpose, remove round cover plate (7)
9	Unscrew bolts (10, 11) from inner door handle		
10	Remove screw (13)		For this purpose, remove cover (12)
11	Press door lining (4) off of inner door panel (8)		Move mounting wedge (14) directly to fastening clips (9) and ensure that the retainer tabs on the fastening clip (9) do not tear out of the door lining (4)
			*110589035900
12	Lift door lining (4) at top on sealing rail out of retaining clips and simultaneously pull away from inner door panel (8)		Installation: Remove fastening clips remaining on inner door panel (8) and install at corresponding point on door lining (4)
			*110589035900
13	Unhook Bowden cable from inside door opener		
14	Disconnect electrical connectors from door lining (4) and lay down door lining (4)		
15	Check door foil and fastening clips (9)		Installation: Replace damaged door foil and fastening clips (9)
16	Install in the reverse order		



110 589 03 59 00

Mounting wedge