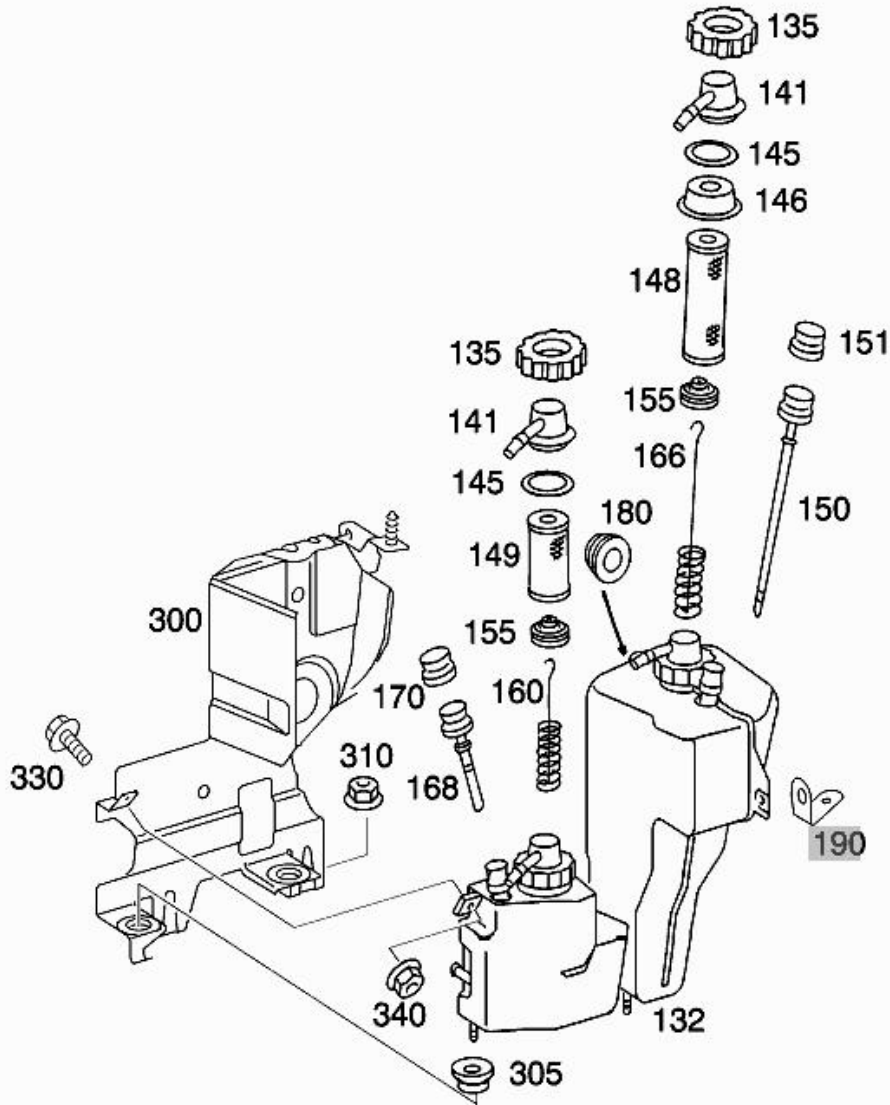


- Picture -

Mode	MD mode	Mod. des. overview	S-SEDAN LONG WHEELBASE
FIN/MD	WDB 2201761A360601	Catalog	66T
VIN	WDBNG76J53A360601	Major assembly:	
Sales designation	S 600	Major assembly	MD
Assortment class	Car	Group	46 - STEERING
Market	North America	Subgroup	062 - LINE SCOPE WITH ACTIVE BODY CONTROL
Picture number	B46062000008.030319		



- Parts list -

Mode	MD mode	Mod. des. overview	S-SEDAN LONG WHEELBASE
FIN/MD	WDB 2201761A360601	Catalog	66T
VIN	WDBNG76J53A360601	Major assembly:	
Sales designation	S 600	Major assembly	MD
Assortment class	Car	Group	46 - STEERING
Market	North America	Subgroup	062 - LINE SCOPE WITH ACTIVE BODY CONTROL

Item no.	Part number	Designation/description	Quantity	Version
2	A 220 460 16 24	LINE (PRESSURE LINE), PUMP TO SEP. POINT Code: 487 [017] To Chassis: A 483288 To Date: 30/06/2005	001	
2	A 220 466 27 81	HOSE (PRESSURE LINE), SEPARATION POINT TO STEERING Code: 487 [017] To Chassis: A 483288 To Date: 30/06/2005	001	L
5	A 028 997 32 48	SEAL RING DELIVERY LINE TO PUMP 7.65 X 1.63 MM Code: 487	NB	
8	A 028 997 32 48	SEAL RING HIGH-PRESSURE HOSE ON STEERING 7.65 X 1.63 MM	NB	L
10	A 102 988 01 11	BUFFER (DELIVERY LINE), FROM PUMP TO STEERING Code: 487	002	
12	A 000 995 20 32	CLAMP HOSE FASTENING Code: 487	001	
15	A 220 466 01 77	MOUNTING PLATE HIGH PRESSURE HOSE TO AIR CLEANER SUPPORT Code: 487	002	
25	A 220 328 40 40	BRACKET LINE MOUNTING Code: 487	001	
26	A 166 990 07 22	BOLT LINE MOUNTING M6X10 Code: 487	002	
35	A 028 997 32 48	SEAL RING LOW-PRESSURE HOSE TO STEERING 7.65 X 1.63 MM	001	
40	A 220 997 19 52	HOSE FROM RADIATOR TO PUMP Code: 487	001	
50	A 620 995 00 65	CLAMP LINE MOUNTING 17 MM Code: 487	001	
70	A 000 995 30 05	CLAMP SUCTION HOSE TO OIL TANK 26 MM Code: 487	002	
85	A 001 994 98 45	CLIP-TYPE NUT HOSE TO SIDE MEMBER	001	
90	N 913023 006001	NUT LINE MOUNTING M6	001	

90	N 910112 006003	HEXAGON NUT LINE MOUNTING M6 Code: 487	002
100	A 004 997 74 90	CLAMP LOW PRESSURE HOSE 18.5 MM Code: 487	002
112	A 001 990 25 63	HOLLOW SCREW PUMP TO PULSATION DAMPER Code: 487	001
125	A 028 997 66 48	O-RING PUMP TO PULSATION DAMPER Code: 487	002
130	A 166 990 07 22	BOLT HOSE TO ENGINE SUPPORT M6X10 Code: 487	001
132	A 220 320 09 14	DASHPOT OIL RESERVOIR Code: 487	001
135	A 210 327 00 72	NUT OIL RESERVOIR Code: 487	002
141	A 210 327 00 21	COVER OIL RESERVOIR Code: 487	002
145	A 210 327 00 60	SEAL RING COVER Code: 487	002
146	A 210 997 35 81	GROMMET OIL RESERVOIR Code: 487	001
148	A 003 184 61 01	OIL FILTER ABC SUSPENSION Code: 487	001
149	A 002 184 55 01	OIL FILTER Code: 487	001
150	A 220 320 02 59	OIL DIPSTICK Code: 487	001
151	A 123 327 00 59	PROTECTIVE CAP Code: 487	001
155	A 123 327 01 60	SEAL RING OIL FILTER Code: 487	002
160	A 123 993 11 01	SPRING Code: 487	001
166	A 220 993 04 01	SPRING OIL DIPSTICK Code: 487	001
168	A 220 320 01 59	OIL DIPSTICK POWER STEERING RESERVOIR Code: 487	001
170	A 123 327 00 59	PROTECTIVE CAP Code: 487	001
180	A 201 504 01 12	RUBBER MOUNT RESERVOIR TO COVER PLATE Code: 487	001
203	A 220 320 51 72	LINE PUMP TO SEPARATION POINT Code: 487	001
205	A 001 990 28 63	HOLLOW SCREW ON HIGH PRESSURE EXPANSION HOSE Code: 487	001
210	A 028 997 65 48	O-RING ON HIGH PRESSURE EXPANSION HOSE Code: 487	003
215	A 220 320 52 72	LINE PUMP TO SEPARATION POINT Code: 487	001

220	A 220 320 53 72	LINE PUMP TO SEPARATION POINT Code: 487	001	
225	A 220 320 38 43	BRACKET HIGH-PRESSURE EXPANSION HOSE HOLDER Code: 487	001	
230	A 000 995 27 32	CLAMP HIGH-PRESSURE EXPANSION HOSE HOLDER Code: 487	001	
235	A 000 995 28 32	CLAMP HIGH-PRESSURE EXPANSION HOSE HOLDER Code: 487	001	
240	N 910142 006001	HEXALOBULAR BOLT HIGH-PRESSURE EXPANSION HOSE HOLDER M6X16 Code: 487	001	
245	N 913023 006001	NUT HIGH-PRESSURE EXPANSION HOSE HOLDER M6 Code: 487	001	
260	A 220 320 54 72	LINE PULSATION DAMPER SEPARATION POINT Code: 487	001	L
265	A 001 990 25 63	HOLLOW SCREW ON HIGH PRESSURE EXPANSION HOSE Code: 487	001	
270	A 028 997 66 48	O-RING ON HIGH PRESSURE EXPANSION HOSE Code: 487	002	
275	A 000 995 20 32	CLAMP HIGH-PRESSURE EXPANSION HOSE HOLDER Code: 487	001	L
280	A 220 997 11 52	HOSE FROM OIL TANK TO PUMP Code: 487	001	
300	A 220 320 01 86	SCREENING OIL RESERVOIR TO SIDE MEMBER Code: 487	001	
305	A 129 997 16 81	GROMMET OIL RESERVOIR TO SIDE MEMBER Code: 487	002	
310	N 913023 006001	NUT OIL RESERVOIR TO SIDE MEMBER M6 Code: 487	001	
330	N 910105 005000	HEXAGON HEAD BOLT RESERVOIR TO COVER PLATE M5X12 Code: 487	001	
332	N 910143 006000	HEXALOBULAR BOLT SHIELD TO CONSOLE WHEELHOUSE LINER M6X12 Code: 487	001	
334	N 913023 006001	NUT SHIELD TO CONSOLE WHEELHOUSE LINER M6 Code: 487	001	
340	N 910112 005000	HEXAGON NUT RESERVOIR TO COVER PLATE M5 Code: 487	001	
600	A 220 466 17 24	COOLING PIPE PACKAGE TO COOLING MODULE Code: 494	001	
710	A 002 990 42 22	BOLT BRACKET TO ENGINE M7X16 Code: 487/Z04/Z07	001	

