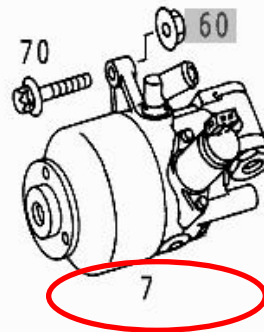
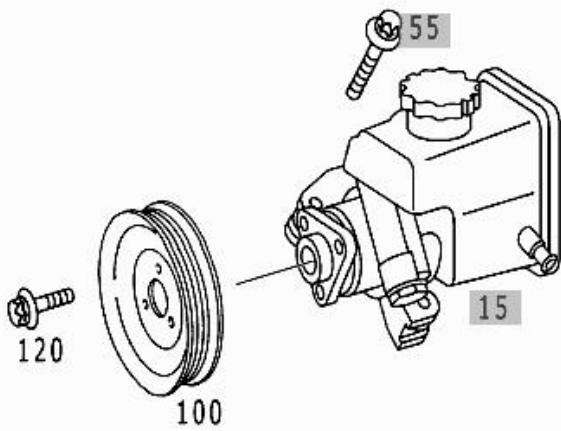
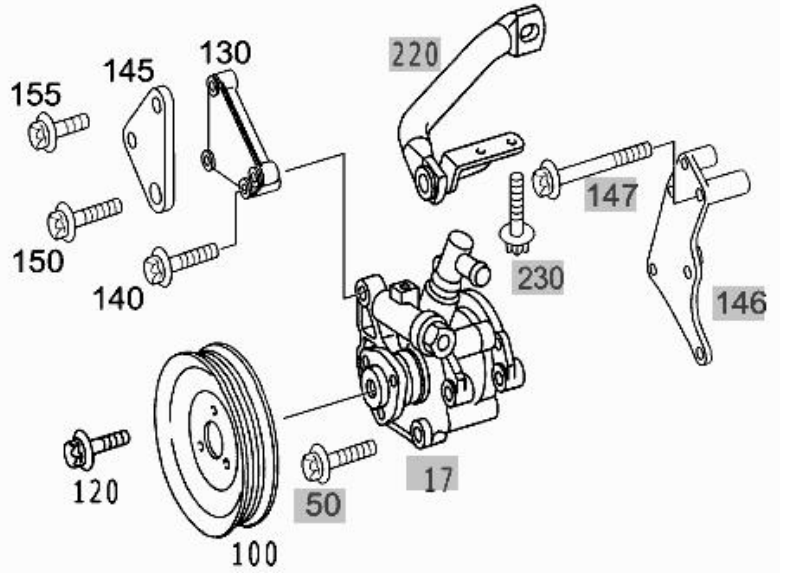
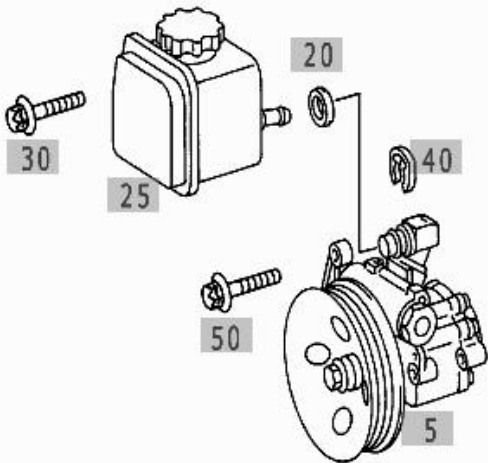


- Picture -

Mode	MD mode	Mod. des. overview	S-SEDAN LONG WHEELBASE
FIN/MD	WDB 2201761A340514	Catalog	66T
VIN	WDBNG76J93A340514	Major assembly:	
Sales designation	S 600	Major assembly	MD
Assortment class	Car	Group	46 - STEERING
Market	North America	Subgroup	070 - POWER STEERING PUMP
Picture number	B46070000044.110524		



## - Parts list -

Mode	MD mode	Mod. des. overview	S-SEDAN LONG WHEELBASE
FIN/MD	WDB 2201761A340514	Catalog	66T
VIN	WDBNG76J93A340514	Major assembly:	
Sales designation	S 600	Major assembly	MD
Assortment class	Car	Group	46 - STEERING
Market	North America	Subgroup	070 - POWER STEERING PUMP

Item no.	Part number	Designation/description	Quantity	Version
7	A 003 466 52 01	HYDRAULIC PUMP LUK Code: 487	001	
70	N 910105 008014	HEXAGON HEAD BOLT TANDEM PUMP TO CRANKCASE UPPER PART FRONT M8X35	001	
100	A 000 466 10 15	PULLEY	001	
120	N 000000 000436	HEXAGON HEAD BOLT PULLEY TO POWER STEERING PUMP M8X12	003	
130	A 000 466 23 40	BRACKET POWER STEERING PUMP	001	
140	N 910105 008014	HEXAGON HEAD BOLT BRACKET TO TIMING CASE AND POWER STEERING PUMP M8X35	001	
140	N 910105 008014	HEXAGON HEAD BOLT BRACKET TO THERMOSTAT HOUSING M8X35	001	
145	A 000 466 15 40	BRACKET POWER STEERING PUMP	001	
150	N 910105 008014	HEXAGON HEAD BOLT BRACKET TO TIMING CASE AND POWER STEERING PUMP M8X35	001	
155	N 910143 006001	HEXALOBULAR BOLT BRACKET TO CYLINDER CRANKCASE M6X16	002	