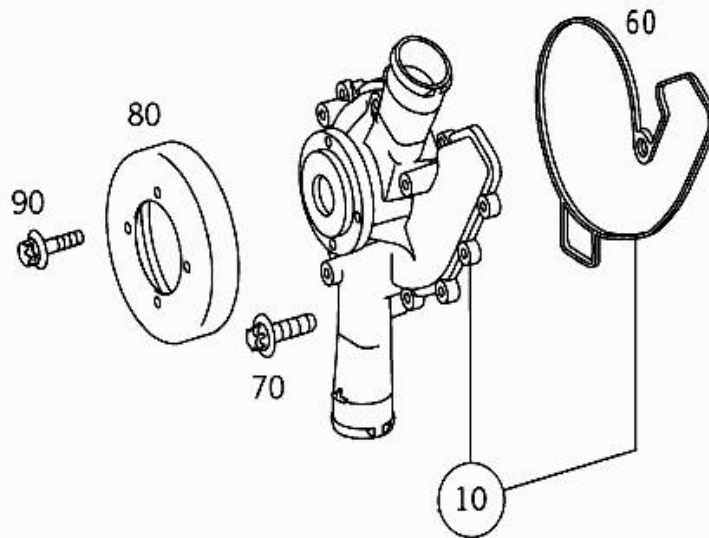


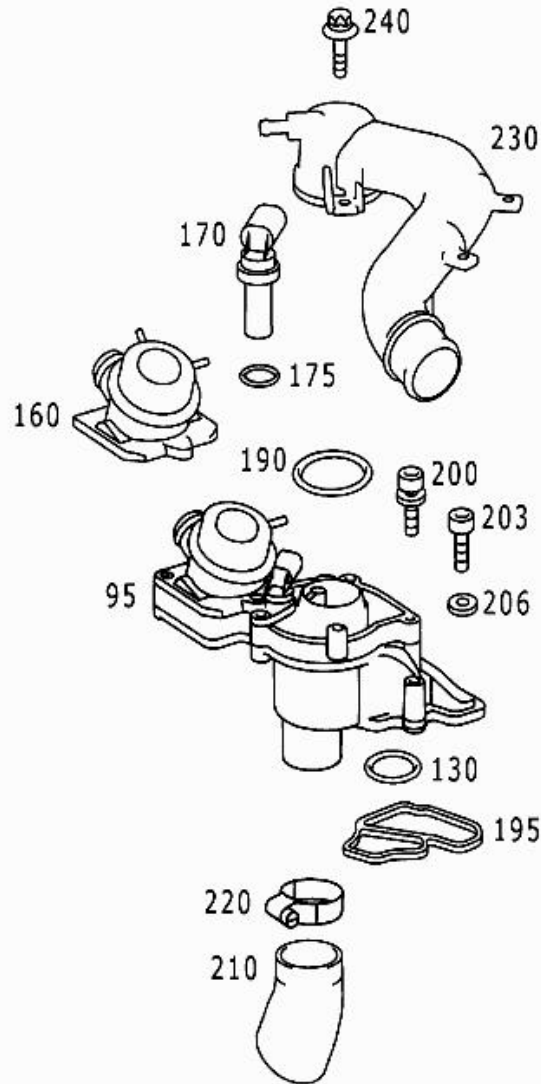
- Picture -

Mode	MD mode	Mod. des. overview	S-SEDAN LONG WHEELBASE USA
FIN/MD	WDB 2201781A189200	Catalog	65D
VIN	WDBNG78J51A189200	Major assembly:	M - Engine
Sales designation	S 600	Major assembly MD	137970 40 009047
Assortment class	Car	Group	20 - ENGINE COOLING
Market	North America	Subgroup	015 - WATER PUMP
Picture number	B20015000364.020917		



- Picture -

Mode	MD mode	Mod. des. overview	S-SEDAN LONG WHEELBASE USA
FIN/MD	WDB 2201781A189200	Catalog	65D
VIN	WDBNG78J51A189200	Major assembly:	M - Engine
Sales designation	S 600	Major assembly MD	137970 40 009047
Assortment class	Car	Group	20 - ENGINE COOLING
Market	North America	Subgroup	015 - WATER PUMP
Picture number	B20015000365.060301		



- Parts list -

Mode	MD mode	Mod. des. overview	S-SEDAN LONG WHEELBASE USA
FIN/MD	WDB 2201781A189200	Catalog	65D
VIN	WDBNG78J51A189200	Major assembly:	M - Engine
Sales designation	S 600	Major assembly MD	137970 40 009047
Assortment class	Car	Group	20 - ENGINE COOLING
Market	North America	Subgroup	015 - WATER PUMP

Item no.	Part number	Designation/description	Quantity	Version
10	A 275 200 01 01	WATER PUMP PARTS KIT  [697] PART IS ONLY OR ALSO SUPPLIED AS RECONDITIONED PART	001	
60	A 137 201 00 80	. GASKET	001	
70	A 002 990 01 22	BOLT	002	
80	A 137 202 01 11	PULLEY	001	
90	N 000000 001144	HEXALOBULAR BOLT PULLEY TO WATER PUMP M6X10	004	
95	A 137 200 02 15	THERMOSTAT	001	
130	A 606 997 10 45	. SEAL RING PIPE SOCKET TO THERMOSTAT HOUSING	001	
160	A 002 140 52 60	. VALVE COMBINATION VALVE, LEFT	001	
170	A 000 542 51 18	. SENDER UNIT	001	
175	A 022 997 98 48	. . SEAL RING	001	
190	A 026 997 17 48	SEAL RING AT THERMOSTAT 45X4 MM	001	
195	A 137 203 01 80	. GASKET THERMOSTAT TO CYLINDER HEAD	001	
200	N 007984 006036	SCREW THERMOSTAT TO CYLINDER HEAD M6X20-8.8;M 6X20	001	
203	N 000000 002598	HEXALOBULAR BOLT THERMOSTAT TO CYLINDER HEAD M 6X40	001	
206	N 000125 006449	WASHER THERMOSTAT TO CYLINDER HEAD	001	
210	A 137 203 00 82	HOSE BETWEEN THERMOSTAT AND WATER PUMP	001	
220	A 006 997 05 90	HOSE CLAMP BETWEEN THERMOSTAT AND WATER PUMP 36-46 MM	001	
220	A 006 997 06 90	HOSE CLAMP BETWEEN THERMOSTAT AND WATER PUMP 45-55 MM	001	
230	A 137 200 01 52	LINE AT THERMOSTAT	001	
240	N 910143 006001	HEXALOBULAR BOLT COOLANT LINE TO COOLANT REGULATOR M6X16	002	
240	N 910143 006001	HEXALOBULAR BOLT COOLANT LINE TO SECONDARY OIL PUMP M6X16	001	