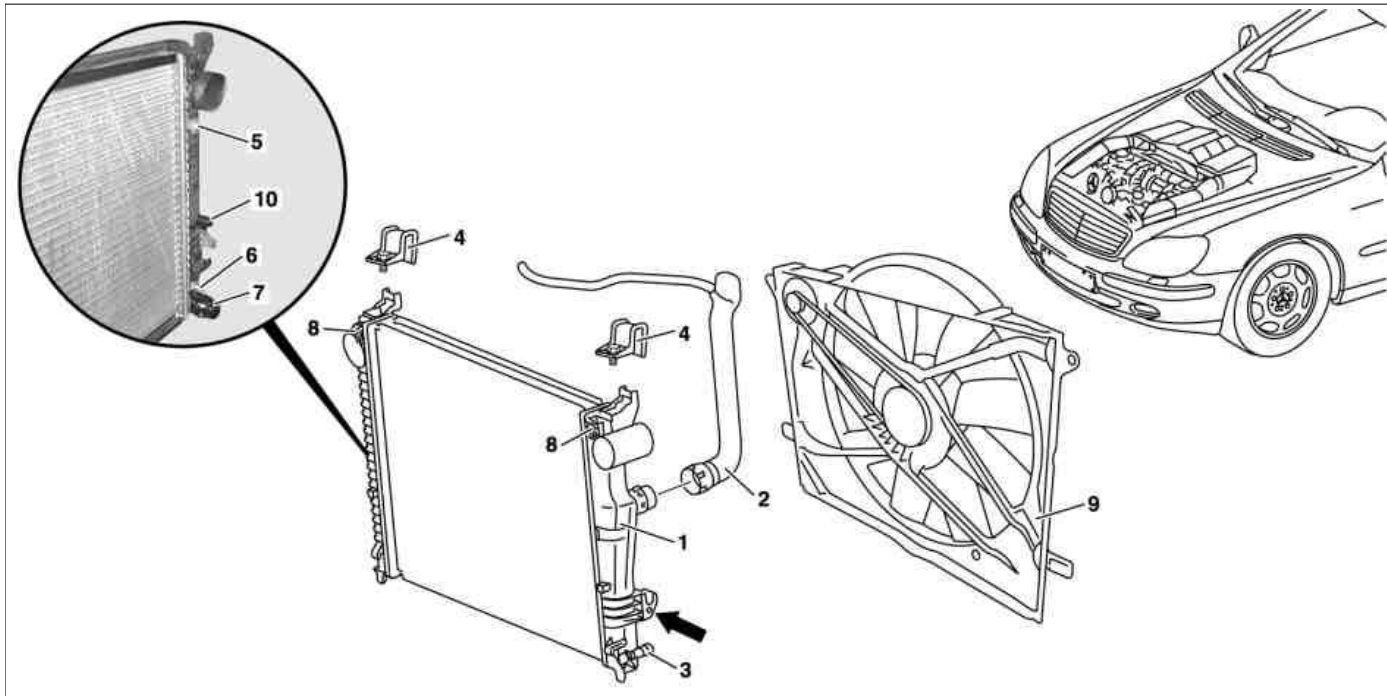


- ENGINE 112.922 in MODEL 220.063
- ENGINE 112.944 in MODEL 220.065 /165
- ENGINE 113.941 in MODEL 220.070 /170
- ENGINE 113.960 in MODEL 215.375, 220.075 /175 /875
- ENGINE 113.991 in MODEL 215.374, 220.074 /174
- ENGINE 112.972 in MODEL 220.067 /167
- ENGINE 112.975 in MODEL 220.087 /187
- ENGINE 113.948 in MODEL 220.083 /183
- ENGINE 113.966 in MODEL 220.084 /184



P20.20-2100-09

- | | |
|--|---|
| <ul style="list-style-type: none"> 1 Radiator 2 Coolant line (radiator-thermostat housing) 3 Drain plug on radiator 4 Bracket (radiator) | <ul style="list-style-type: none"> 5 Connection of automatic oil line 6 Connection of automatic oil line 7 Connection of coolant line (radiator coolant pump) 8 Retaining nuts for condenser 9 Fan shroud 10 Connection for coolant line (radiator expansion reservoir) |
|--|---|

		Remove/install	
☒ ☒			
1		Remove lower engine compartment paneling	AR61.20-P-1105M AS20.00-Z-0001-01A
⚠	Danger!	<p>Risk of injury to skin and eyes due to scalding caused by contact with hot coolant spray</p> <p>Risk of poisoning caused by swallowing coolant.</p>	<p>Do not open cooling system unless coolant temperature is below 90°C.</p> <p>Open cap slowly and release the pressure. Do not pour coolant into beverage containers.</p> <p>Wear protective gloves, protective clothing and safety glasses.</p>
ⓘ		Notes on coolant	AH20.00-N-2080-01A
2		Drain coolant at radiator (1)	AR20.00-P-1142HA AR20.00-P-1142RVK *BF20.00-P-1001-02K
3		Disconnect automatic oil lines at connection (5, 6) at radiator (1)	<p>ⓘ Seal off oil lines.</p> <p>☒</p> <p>Nm</p> <p>Nm</p> <p>*129589009100 *BA20.20-P-1003-01A *BA20.20-P-1001-01A</p>
4		Disconnect coolant line (radiator-thermostat housing) (2) at radiator (1)	
5		Disconnect connection of coolant line (radiator-coolant pump) (7), connection of coolant line (radiator-expansion reservoir) (10) at radiator (1)	
6		Remove fan shroud (9)	AR20.40-P-6800AB

7	Detach condenser at nuts (8) at radiator	Detach AC line at radiator (arrow).	
8	Detach bracket of radiator (4).		
9	Take out radiator (1)	Installation: the studs on the radiator must be located at the bottom in the rubber mounts on the crossmember.	
10	Install in the reverse order		
11	Pour in coolant	All engines except engine 113.991 Engine 113.991 	AR20.00-P-1142HA AR20.00-P-1142RVK *BF20.00-P-1001-02K
Danger!	Risk of accident due to vehicle starting off when engine is running Risk of injury caused by contusions and burns during starting procedure or when working near the engine as it is running Check oil level in automatic transmission, correct if necessary	Secure vehicle to prevent it from moving by itself. Wear closed and snug-fitting work clothes. Do not touch hot or rotating parts.	AS00.00-Z-0005-01A
12			AR27.00-P-0100AC
13	Inspect cooling system for leaks	All engines except engine 113.991 Engine 113.991	AR20.00-P-1010HA AR20.00-P-1010RVK

Radiator, coolant hoses

Number	Designation		Engine 112 except 112.942/970, engine 113.940/941/943/944/945/946/948/960/961/962/963/966/967/968/969/980/982/984/986/992/993/995	Engine 113.987/988/990/991
BA20.20-P-1001-01A	Union nut, automatic transmission oil line to radiator	Nm	20	18
BA20.20-P-1003-01A	Banjo bolt	M12×1.5 Nm	30	30

Cooling system

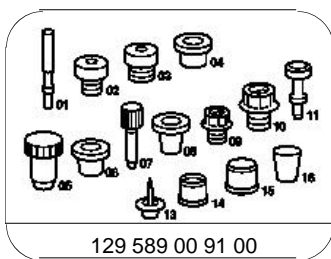
Number	Designation		Engine 112.922/944/972 in model 220	Engine 112.975 in model 220	Engine 113.941/960 in model 220	
BF20.00-P-1001-02K	Cooling system	Total filling capacity	Liters	≈10.5	≈10.4	≈11.5
		Capacity of anticorrosion/antifreeze agent down to -37°C	Liters	≈5.0	≈5.2	≈5.75
		Filling capacity of anticorrosion/antifreeze down to -45°C	Liters	≈5.5	≈5.7	≈6.25
	Specifications for Operating Fluids	Sheet		BB00.40-P-0310-01A	BB00.40-P-0310-01A	BB00.40-P-0310-01A
		Sheet		BB00.40-P-0325-00A	BB00.40-P-0310-01A	BB00.40-P-0325-00A

Cooling system

Number	Designation	Engine 113.948/966 in model 220	Engine 113.960/ 986 in model 215		
BF20.00-P-1001-02K	Cooling system	Total filling capacity	Liters	≈11.6	≈11.5
		Capacity of anticorrosion/ antifreeze agent down to -37°C	Liters	≈5.8	≈5.75
		Filling capacity of anticorrosion/ antifreeze down to -45°C	Liters	≈6.4	≈6.25
		Specifications for Operating Fluids	Sheet	BB00.40-P-0310-01A	BB00.40-P-0310-01A
			Sheet	BB00.40-P-0325-00A	BB00.40-P-0325-00A

Cooling system

Number	Designation	Engine 113.991 in model 215	Engine 113.986/991 in Model 220		
BF20.00-P-1001-02K	Cooling system	Total filling capacity	Liters	≈14.5	≈13.5
		Capacity of anticorrosion/ antifreeze agent down to -37°C	Liters	≈7.3	≈6.8
		Filling capacity of anticorrosion/ antifreeze down to -45°C	Liters	≈8	≈7.4
		Specifications for Operating Fluids	Sheet	BB00.40-P-0310-01A	BB00.40-P-0310-01A
			Sheet	BB00.40-P-0325-00A	BB00.40-P-0325-00A



Set of stop plugs