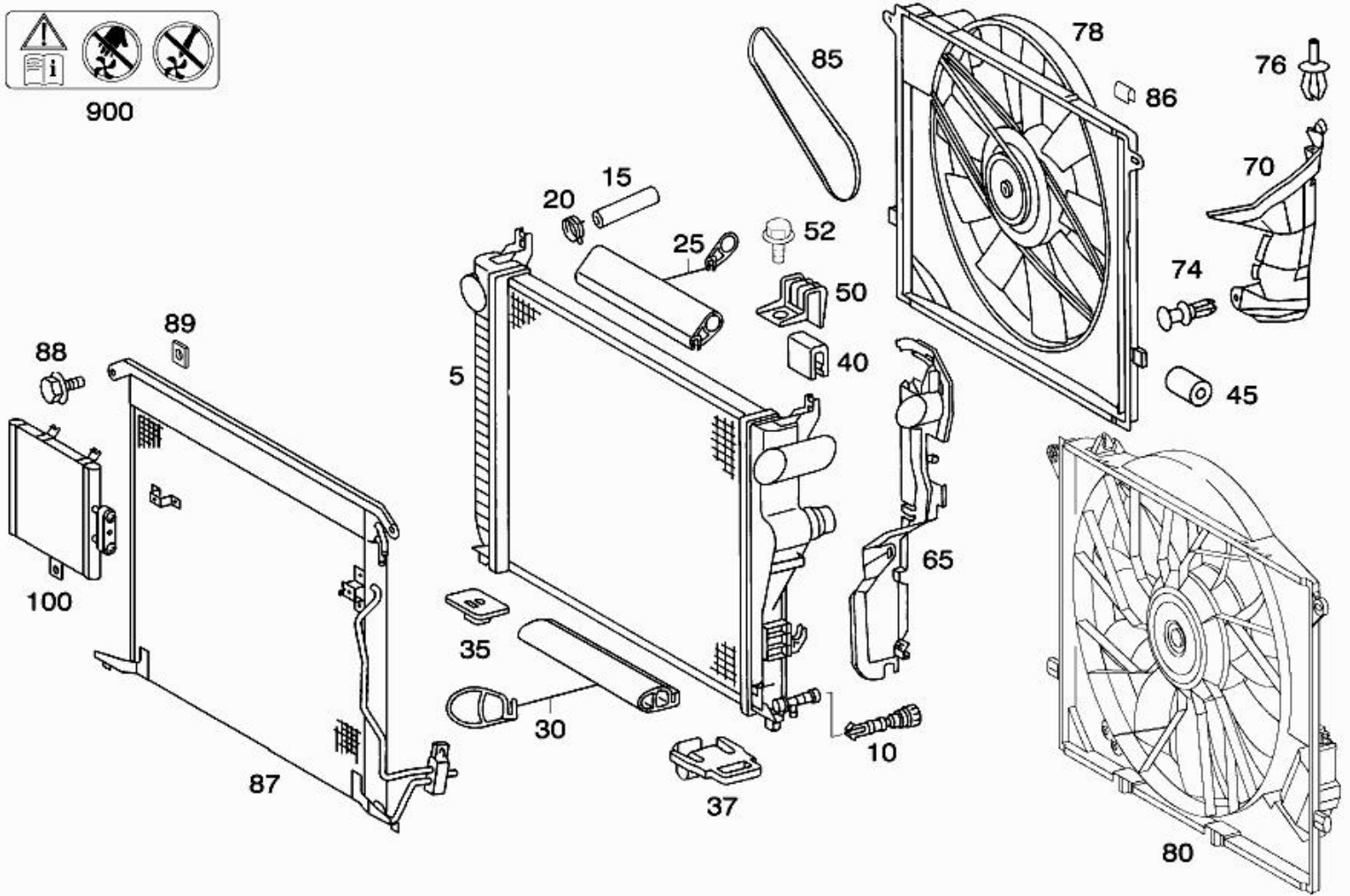


- Picture -

Mode	MD mode	Mod. des. overview	S-SEDAN LONG WHEELBASE USA
FIN/MD	WDB 2201751A115999	Catalog	65T
VIN	WDBNG75J7YA115999	Major assembly	
Sales designation	S 500	Major assembly	MD
Assortment class	Car	Group	50 - RADIATOR
Market	North America	Subgroup	015 - RADIATOR,MOUNTING,AND COVERING
Picture number	B50015000215.040524		




900



- Parts list -

Mode	MD mode	Mod. des. overview	S-SEDAN LONG WHEELBASE USA
FIN/MD	WDB 2201751A115999	Catalog	65T
VIN	WDBNG75J7YA115999	Major assembly	
Sales designation	S 500	Major assembly MD	
Assortment class	Car	Group	50 - RADIATOR
Market	North America	Subgroup	015 - RADIATOR,MOUNTING,AND COVERING

Item no.	Part number	Designation/description	Quantity	Version
5	A 220 500 09 03	RADIATOR [003] From Chassis: A 071148 From Date: 30/10/1999	001	
10	A 000 500 01 85	. BOLT WATER DRAIN	001	
15	N 000000 000734	HOSE ON RADIATOR, TOP 8 X 15 MM [404] ORDER BY THE METER	001	
20	A 140 995 04 05	CLAMP DE-AERATION LINE TO RADIATOR 14/12 MM	001	
25	A 220 505 01 86	SEALING STRIP ON RADIATOR, TOP	001	
30	A 220 505 03 86	BOOT RADIATOR BOTTOM	001	
35	A 220 504 00 12	RUBBER MOUNT RADIATOR BOTTOM	002	
37	A 220 504 02 40	BRACKET RADIATOR BOTTOM	002	
40	A 220 504 01 12	RUBBER MOUNT ON RADIATOR, TOP	002	
45	A 220 504 02 12	RUBBER MOUNT AT BLOWER	002	
50	A 220 504 01 46	CLAMP RADIATOR TO SUPPORT	002	
52	N 910143 006000	HEXALOBULAR BOLT RADIATOR TO SUPPORT M6X12	002	
65	A 220 505 11 88	COVER TO LEFT RADIATOR	001	
65	A 220 505 12 88	COVER TO RIGHT RADIATOR	001	
65	A 220 505 00 88	COVER TO OIL COOLER LEFT	001	
65	A 220 505 02 88	COVER TO OIL COOLER RIGHT	001	
70	A 220 505 09 88	COVER LATERAL LEFT	001	
70	A 220 505 10 88	COVER LATERAL RIGHT	001	
74	A 123 990 00 92	RIVET MOUNTING, COVER	002	
76	A 000 990 34 92	EXPANSION RIVET MOUNTING, COVER 5 MM	002	
78	A 220 500 00 93	BLOWER 600 W [004] To Chassis: A 234389 To Date: 30/06/2001 Excep...	001	
85	A 013 997 58 92	. V-BELT	001	
86	A 001 994 29 45	PLUG-IN CLIPS BLOWER ON RADIATOR TOP	002	

87	A 220 500 00 54	CONDENSER Replaced by: A 220 500 04 54 +001 A 220 466 17 24 Code: 494  [006] To Chassis: A 372602 To Date: 01/09/2002 Excep...	001
88	N 000000 003765	HEXALOBULAR BOLT CONDENSER AND BLOWER TO RADIATOR M6X20	002
89	A 140 990 00 52	NUT CONDENSER AND BLOWER TO RADIATOR	002
900	A 000 584 04 26	GUIDE SIGN IMPELLER	001