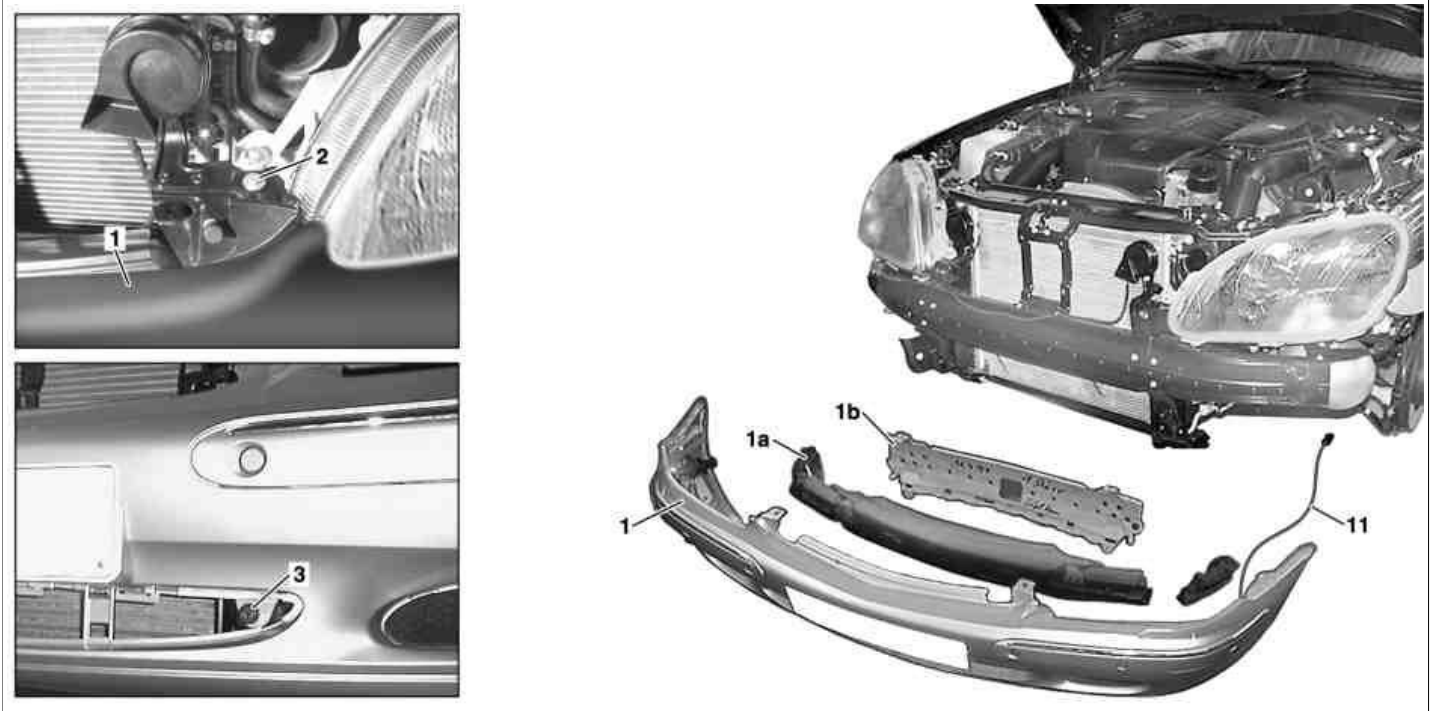


MODEL 215.373 /374 /375 /376 /378 /379

MODEL 220.025 /026 /028 /063 /065 /070 /073 /075 /125 /128 /165 /170 /173 /175 /176 /178 /179 /875 /878



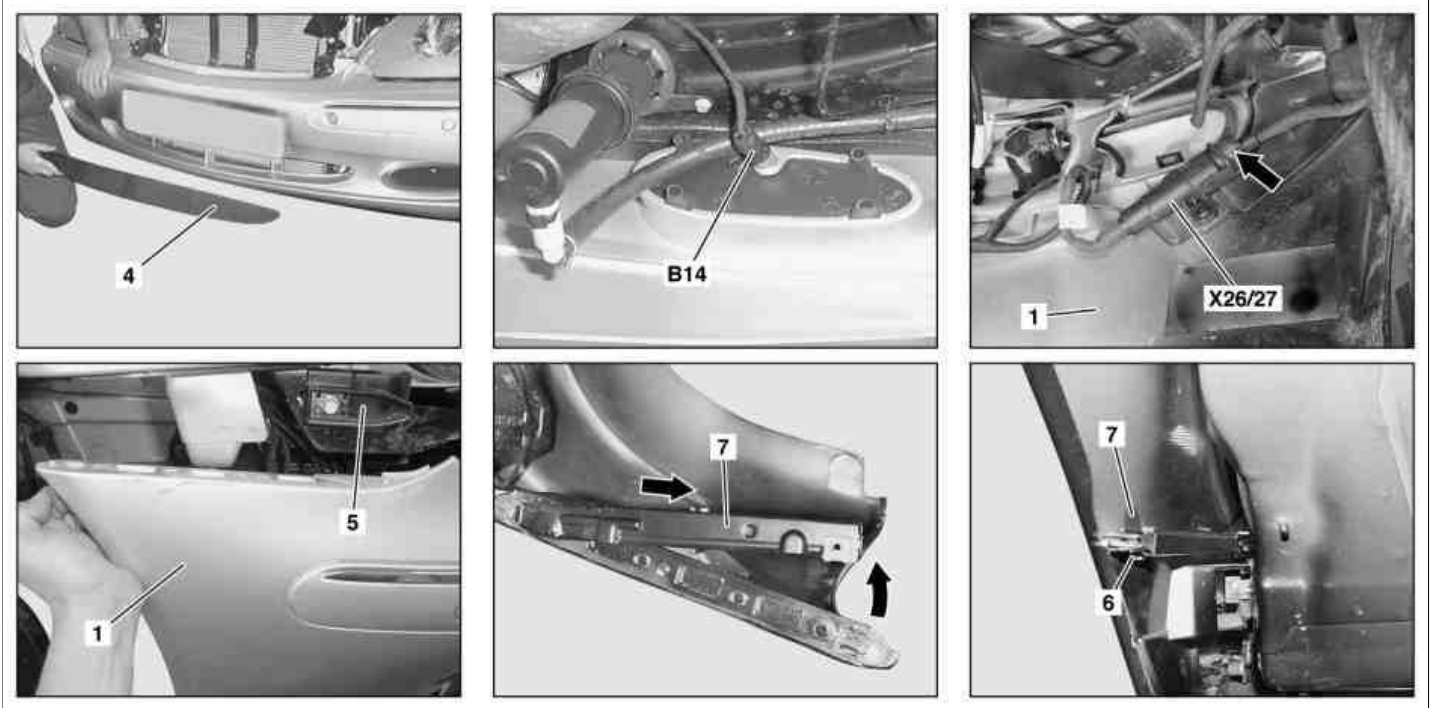
P88.20-2248-09

Model 220

- 1 Bumper
- 1 A Foam insert

- 1 B Retaining plate
- 2 Bolt

- 3 Nut
- 11 Antenna line



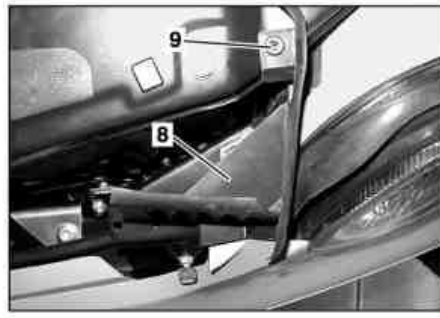
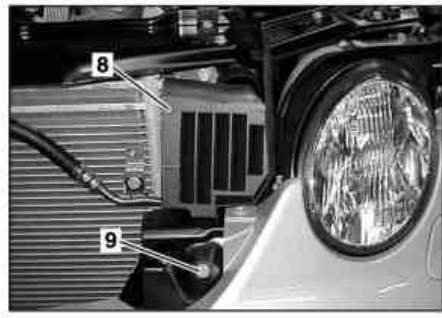
P88.20-2020-09

Model 220

- 4 Air inlet grille
- 5 Bracket

- 6 Bolt
- 7 Retaining bracket

- B14 Outside temperature display temperature sensor
- X26/27 Front bumper PTS connector



P88.20-2079-07

Model 215

8 Cover

9 Expansion rivets

10 Bolt

	Remove/Install		
Danger!	Risk of death caused by vehicle slipping or toppling off of the lifting platform.	Align vehicle between the columns of the hydraulic hoist and position the four support plates below the hoist support points specified by the vehicle manufacturer.	AS00.00-Z-0010-01A
1	Expose antenna line (11) for TV antenna	Electrical plug socket in left fuse box. Installation: Install new tie straps.	
2.1	Remove bottom engine compartment paneling	Engine 112, 113, 137, 275 Only remove front part	AR61.20-P-1105M
3.1	Remove bottom part of noise encapsulation	Engine 613, 628, 648 Only remove front part	AR94.30-P-5300M
4	Pull outside temperature display temperature sensor (B14) out of bumper		
5	Unlock and separate front bumper PTS connector (X26/27)	To unlock, pivot lock flap in direction of arrow.	
6	Remove fender liner from front fender	Remove only front section of fender liner.	AR88.10-P-1300M
7	Unscrew bolt (6)		
8	Pivot retaining bracket (7) toward center of vehicle, pull out to rear and remove		
9.1	Remove expansion rivets (9) and cover (8)	Model 215	
10.1	Remove bolt (10)	Model 215	
11	Unscrew bolt (2)		
12	Unclip air inlet grate (4)	Do not damage paint.	
13	Unscrew nuts (3).		
14	Remove bumper (1) toward front	Installation: Ensure that retainer tabs on rear bumper (1) are pushed behind bracket (5)	
15.1 AZ AZ	Modify AMG bumper	See installation instructions for accessories: ↓ Model 215 Retrofit AMG trims Model 220 Retrofit AMG trims	AZ88.00-P-0001K AZ88.00-P-0001F
16	Install in the reverse order		