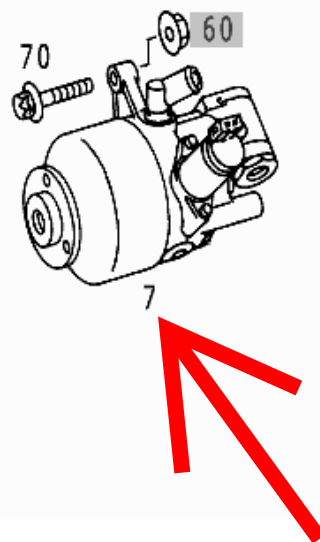
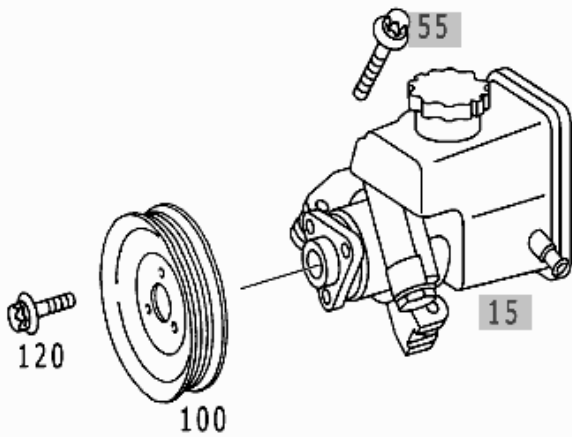
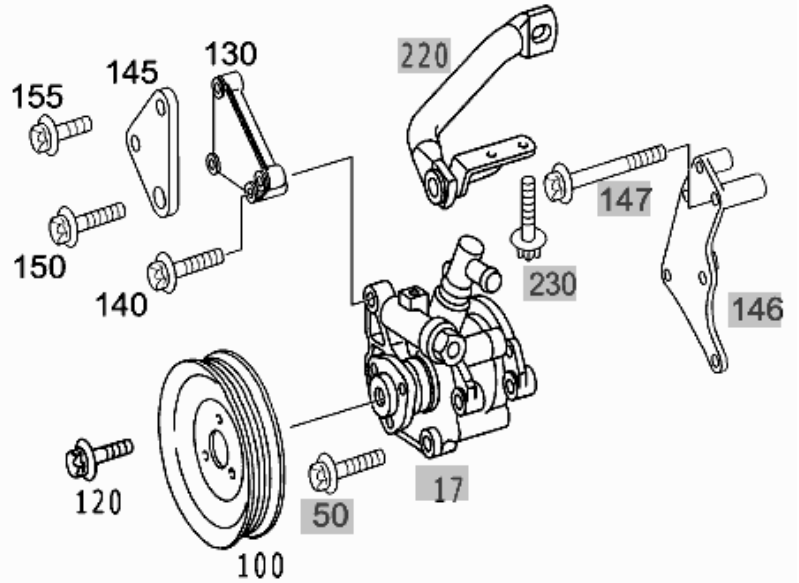
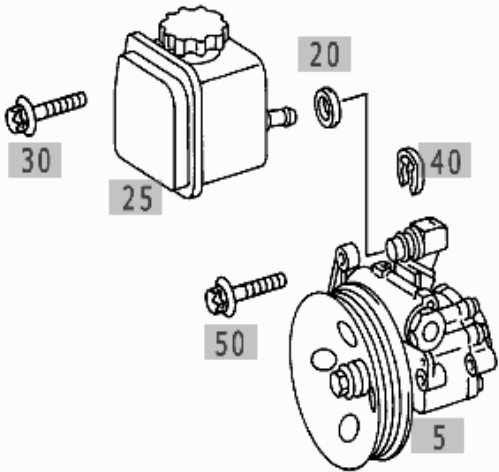


- Picture -

Mode	MD mode	Mod. des. overview	S-SEDAN LONG WHEELBASE
FIN/MD	WDB 2201761A453195	Catalog	66T
VIN	WDBNG76JX5A453195	Major assembly:	
Sales designation	S 600	Major assembly	MD
Assortment class	Car	Group	46 - STEERING
Market	North America	Subgroup	070 - POWER STEERING PUMP
Picture number	B46070000044.110524		



- Parts list -

Mode	MD mode	Mod. des. overview	S-SEDAN LONG WHEELBASE
FIN/MD	WDB 2201761A453195	Catalog	66T
VIN	WDBNG76JX5A453195	Major assembly:	
Sales designation	S 600	Major assembly MD	
Assortment class	Car	Group	46 - STEERING
Market	North America	Subgroup	070 - POWER STEERING PUMP

Item no.	Part number	Designation/description	Quantity	Version
7	A 003 466 52 01	HYDRAULIC PUMP LUK Code: 487	001	
70	N 910105 008014	HEXAGON HEAD BOLT TANDEM PUMP TO CRANKCASE UPPER PART FRONT M8X35	001	
100	A 000 466 10 15	PULLEY	001	
120	N 000000 000436	HEXAGON HEAD BOLT PULLEY TO POWER STEERING PUMP M8X12	003	
130	A 000 466 23 40	BRACKET POWER STEERING PUMP	001	
140	N 910105 008014	HEXAGON HEAD BOLT BRACKET TO TIMING CASE AND POWER STEERING PUMP M8X35	001	
140	N 910105 008014	HEXAGON HEAD BOLT BRACKET TO THERMOSTAT HOUSING M8X35	001	
145	A 000 466 15 40	BRACKET POWER STEERING PUMP	001	
150	N 910105 008014	HEXAGON HEAD BOLT BRACKET TO TIMING CASE AND POWER STEERING PUMP M8X35	001	
155	N 910143 006001	HEXALOBULAR BOLT BRACKET TO CYLINDER CRANKCASE M6X16	002	

Hit list - Search for part without vehicle data

Part number::

A 0034665201

Designation: :

HYDRAULIC PUMP

Market	Assortment class	Catalog type	Model/SA number	Mod. des. (digits 4-6)/SA change seq. no.
Standard	Car	FG	215	376 379
Standard	Car	FG	220	176 179
North America	Car	FG	220	176 179
Japan	Car	FG	220	176 179
Japan	Car	FG	215	376 379
North America	Car	FG	215	376 379