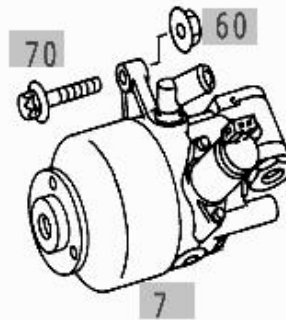
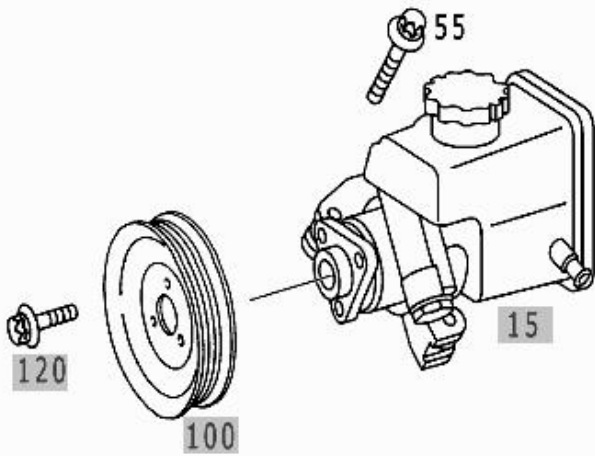
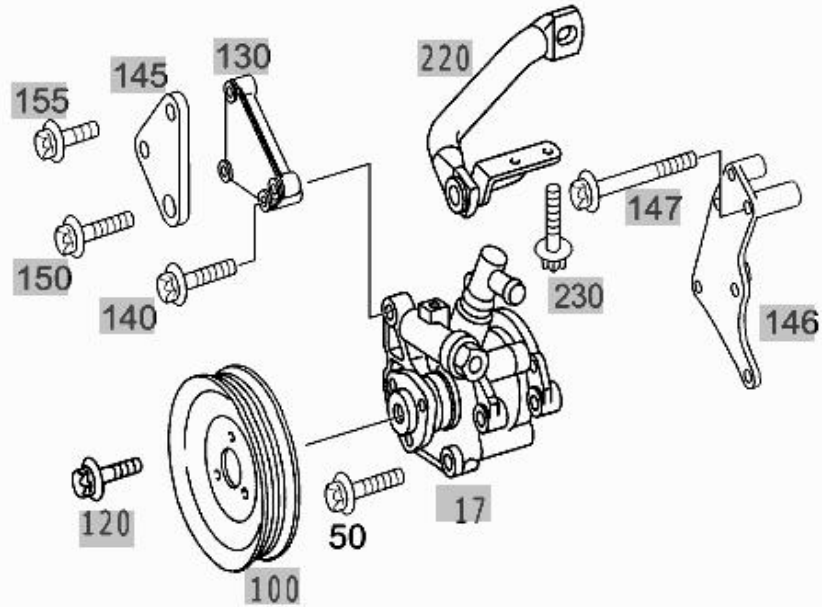
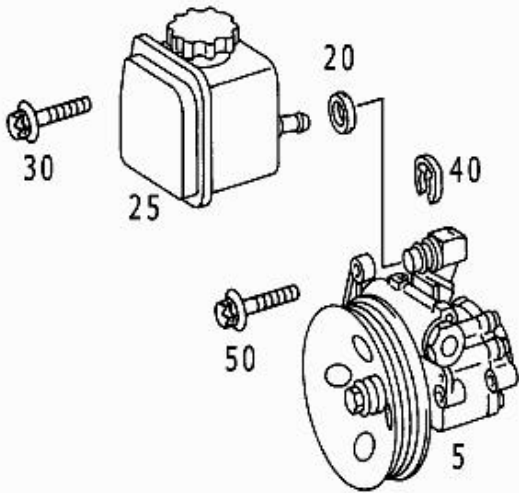




- Picture -

Mode	MD mode	Mod. des. overview	S-SEDAN LONG WHEELBASE
FIN/MD	WDB 2201841A352518	Catalog	66T
VIN	WDBNG84JX3A352518	Major assembly:	
Sales designation	S 500 4MATIC	Major assembly MD	
Assortment class	Car	Group	46 - STEERING
Market	North America	Subgroup	070 - POWER STEERING PUMP
Picture number	B46070000044.110524		



- Parts list -

Mode	MD mode	Mod. des. overview	S-SEDAN LONG WHEELBASE
FIN/MD	WDB 2201841A352518	Catalog	66T
VIN	WDBNG84JX3A352518	Major assembly:	
Sales designation	S 500 4MATIC	Major assembly MD	
Assortment class	Car	Group	46 - STEERING
Market	North America	Subgroup	070 - POWER STEERING PUMP

Item no.	Part number	Designation/description	Quantity	Version
5	A 002 466 86 01	HYDRAULIC PUMP LUK Optional with: A 002 466 87 01 Code: -487  [022] ALSO REPLACE RESERVOIR	001	
5	A 002 466 87 01	HYDRAULIC PUMP ZF Optional with: A 002 466 86 01 Code: -487  [022] ALSO REPLACE RESERVOIR	001	
20	A 000 466 18 80	GASKET SUSTION FITTING,POWER STEERING PUMP	001	
25	A 000 460 01 83	OIL TANK OIL RESERVOIR ON POWER STEERING PUMP	001	
30	N 000000 001117	HEXALOBULAR BOLT OIL RESERVOIR ON TIMING CASE M6X23	001	
40	A 003 994 54 45	FUSE TO OIL RESERVOIR FEED FITTING	001	
50	N 910143 008003	HEXALOBULAR BOLT POWER STEERING PUMP ON TIMING CASE M8X30 Code: -487	002	
55	N 000000 001141	HEXALOBULAR BOLT POWER STEERING PUMP ON TIMING CASE M8X34	002	