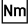
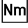


ENGINE 137.970, 275.950/951/953/954/980/981/982/983, 277, 279, 285

 Coolant pump, coolant thermostat

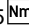
Number	Designation		ENGINE 277	ENGINE 279
BA20.10-P-1001-01H	Screw/bolt, coolant pump to timing case cover/crankcase	Nm	14	14


 Coolant pump, coolant thermostat

Number	Designation		ENGINE 137, 275	ENGINE 285
BA20.10-P-1004-01AE	Coolant pump to timing case	M7 Nm	14	14

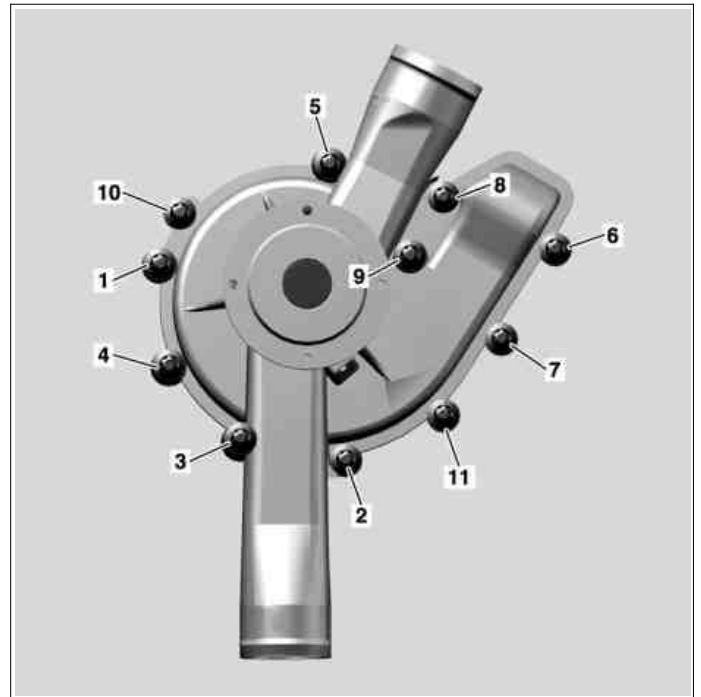
1 Item numbers 1 to 9: screw/bolts for fastening coolant pump at timing case cover and simultaneously fastening timing case cover to crankcase. Item numbers 10 and 11: screw/bolts for fastening coolant pump to timing case cover.

1 Screw in screw/bolts in numerical sequence and tighten with torque.

ENGINE 137.970,
275.950/951/953/954/980/981/982/983, 285 

ENGINE 277, 279 

- 1 M7x65
- 2 M7x40
- 3 M7x80
- 4 M7x65
- 5 M7x65
- 6 M7x40
- 7 M7x40
- 8 M7x40
- 9 M7x65
- 10 M7x25
- 11 M7x25



P20.10-2049-12