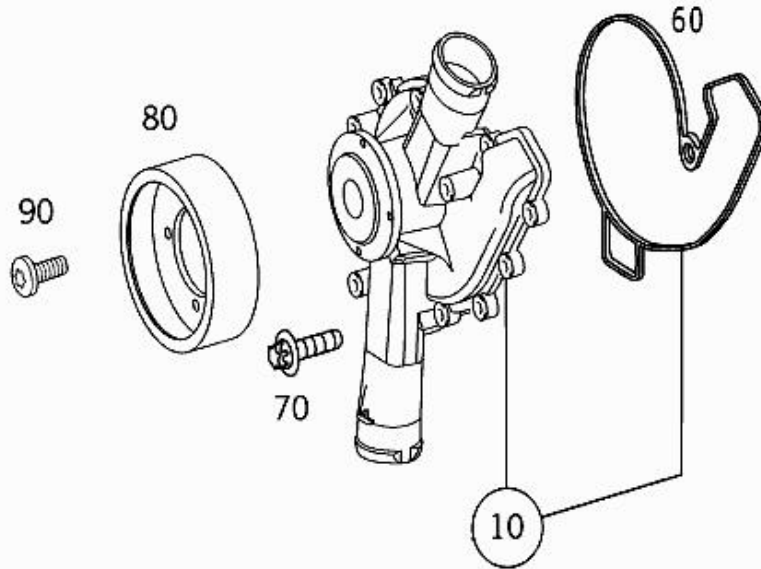



# - Picture -

<b>Mode</b>	MD mode	<b>Mod. des. overview</b>	COUPE CLUSA
<b>FIN/MD</b>	WDB 2153761A038596	<b>Catalog</b>	63C
<b>VIN</b>	WDBPJ76J14A038596	<b>Major assembly:</b>	M - Engine
<b>Sales designation</b>	CL 600	<b>Major assembly MD</b>	275950 40 005093
<b>Assortment class</b>	Car	<b>Group</b>	20 - ENGINE COOLING
<b>Market</b>	North America	<b>Subgroup</b>	015 - WATER PUMP
<b>Picture number</b>	B20015000417.020925		



## - Parts list -

<b>Mode</b>	MD mode	<b>Mod. des. overview</b>	COUPE CLUSA
<b>FIN/MD</b>	WDB 2153761A038596	<b>Catalog</b>	63C
<b>VIN</b>	WDBPJ76J14A038596	<b>Major assembly:</b>	M - Engine
<b>Sales designation</b>	CL 600	<b>Major assembly MD</b>	275950 40 005093
<b>Assortment class</b>	Car	<b>Group</b>	20 - ENGINE COOLING
<b>Market</b>	North America	<b>Subgroup</b>	015 - WATER PUMP

Item no.	Part number	Designation/description	Quantity	Version
10	A 275 200 01 01	<b>WATER PUMP</b> (PARTS KIT)  [697] PART IS ONLY OR ALSO SUPPLIED AS RECONDITIONED PART	001	
60	A 137 201 00 80	. <b>GASKET</b> WATER PUMP TO TIMING CASE	001	
70	A 002 990 01 22	<b>BOLT</b> WATER PUMP TO TIMING CASE	002	
80	A 137 202 01 11	<b>PULLEY</b>	001	
90	N 000000 001145	<b>HEXALOBULAR BOLT</b> PULLEY TO WATER PUMP M6X12	004	
100	A 275 200 04 15	<b>THERMOSTAT</b> AT CYLINDER HEAD	001	
130	A 606 997 10 45	. <b>SEAL RING</b> PIPE SOCKET TO THERMOSTAT HOUSING	001	
160	A 002 140 77 60	. . <b>COMBINATION VALVE</b>	001	
170	A 099 905 38 00	. <b>TEMPERATURE SENSOR</b> (TEMPERATURE SENSOR)	001	
175	A 022 997 98 48	. . <b>SEAL RING</b>	001	
180	N 910143 006005	. <b>HEXALOBULAR BOLT</b> THERMOSTAT AT COOLANT HOUSING M6X35	003	
185	A 137 203 01 80	. <b>GASKET</b> THERMOSTAT TO CYLINDER HEAD	001	
190	A 026 997 17 48	<b>SEAL RING</b> AT THERMOSTAT 45X4 MM	001	
200	N 910143 006002	<b>HEXALOBULAR BOLT</b> THERMOSTAT TO CYLINDER HEAD M6X20	001	
200	N 910143 006006	<b>HEXALOBULAR BOLT</b> THERMOSTAT TO CYLINDER HEAD M6X40	001	
210	A 137 203 00 82	<b>HOSE</b> BETWEEN THERMOSTAT AND WATER PUMP	001	
220	A 006 997 05 90	<b>HOSE CLAMP</b> BETWEEN THERMOSTAT AND WATER PUMP 36-46 MM	001	
220	A 006 997 06 90	<b>HOSE CLAMP</b> BETWEEN THERMOSTAT AND WATER PUMP 45-55 MM	001	
230	A 275 200 05 52	<b>COOLANT LINE</b> AT THERMOSTAT	001	
240	N 910143 006001	<b>HEXALOBULAR BOLT</b> COOLANT LINE TO COOLANT REGULATOR M6X16	002	
240	N 910143 006001	<b>HEXALOBULAR BOLT</b> COOLANT LINE TO SECONDARY OIL PUMP M6X16	001	
900	A 210 540 20 81	<b>PIN BUSHING HOUSING</b> REFRIGERANT TEMPERATURE SENSOR 2-PIN MQS;B11/4	001	
901	A 008 545 63 26	<b>FEMALE CONTACT</b> 0.5-0.75 MM2 MQS	NB	