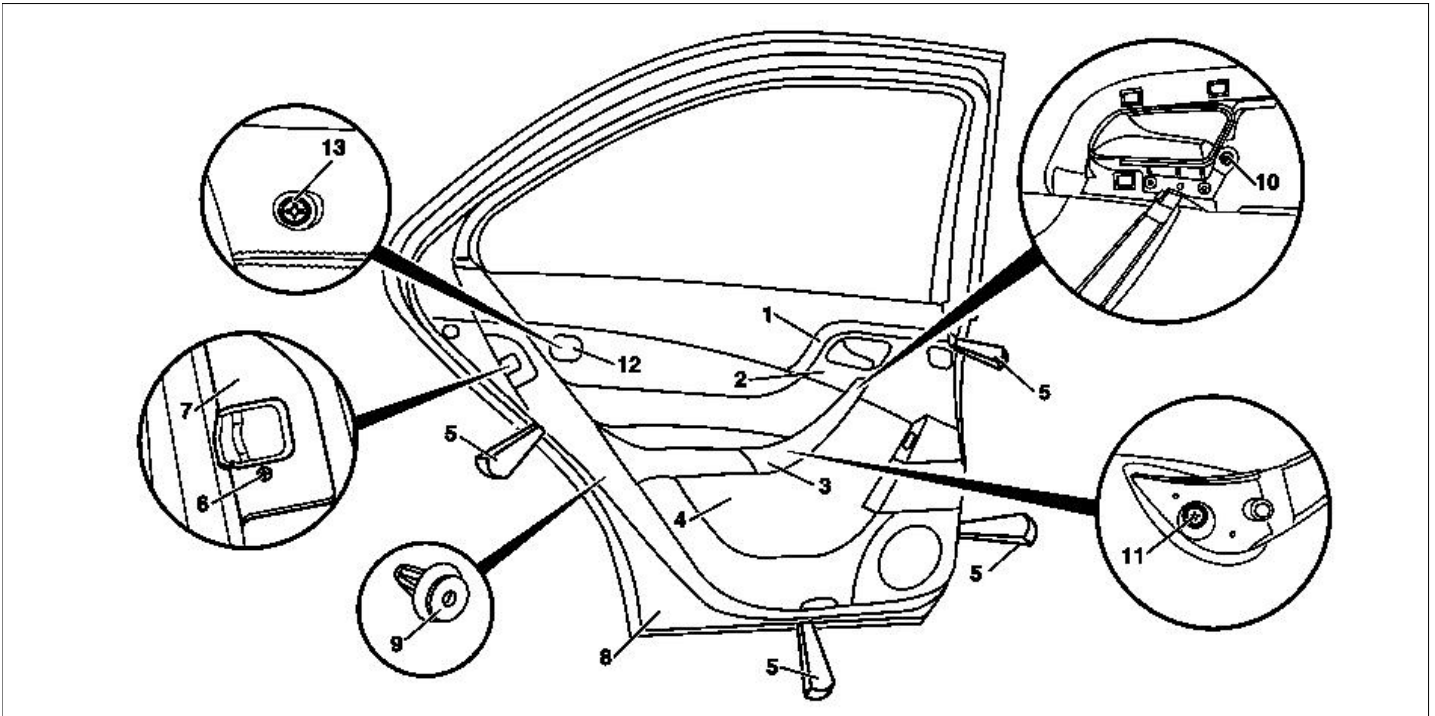
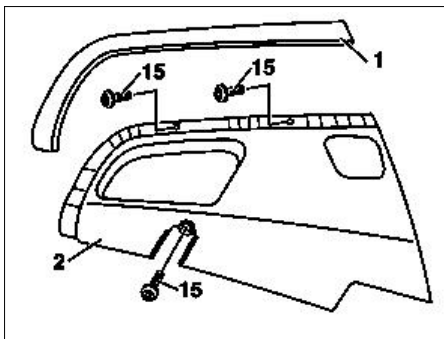


MODEL 220.026 /028 /063 /065 /070 /073 /074 /075 /128 /165 /170 /173 /174 /176 /179  
 MODEL 220.175 /178  
 except CODE (Z04) Light armoring  
 except CODE (979) Special protection version  
 MODEL 220.875 /878  
 except CODE (P082) Electrically adjustable curtains



P72.12-2024-09

- |                              |                      |          |
|------------------------------|----------------------|----------|
| 1 Trim strip                 | 6 Bolt               | 10 Bolt  |
| 2 Door control unit covering | 7 Lock trim surround | 11 Bolt  |
| 3 Door handle cover          | 8 Inner door panel   | 12 Cover |
| 4 Door lining                | 9 Clip retainer      | 13 Bolt  |
| 5 Mounting wedge             |                      |          |



- |                                    |                              |
|------------------------------------|------------------------------|
| 1 Trim strip                       | 2 Door control unit covering |
| 15 Bolts                           |                              |
| 2 Door control unit covering       |                              |
| N69/3 Left rear door control unit  |                              |
| N69/4 Right rear door control unit |                              |

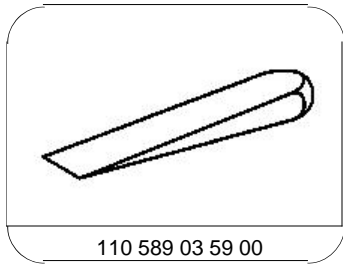


P72.12-2025-01

P72.12-2026-01

Remove/Install		
1 Press trim strip (1) off of door control module covering (2) with mounting wedges (5)	<input checked="" type="checkbox"/> Mounting wedge	*110589035900
2 Remove door handle cover (3) from door handle		
3 Unscrew bolts (15) and press door control module covering (2) out of door lining (4) with mounting wedges (5) and remove		
4 Disconnect connectors from left rear door control module (N69/3) and right door control module (N69/4) and remove door control module covering (2)		

5	Unscrew bolt (6) from lock cover plate (7) and remove lock trim surround (7)		
6	Remove cover (12) and unscrew bolt (13)		
7	Press door lining (4) off of inner door panel (8) with mounting wedges (5)	<b>i</b> Move mounting wedges (5) directly to clip retainer (9) so that the retainer tab of the clip retainer do not tear out off the door lining.	
8	Pry door lining (4) out of retaining clamps on at top of sealing rail with mounting wedges (5) and simultaneously remove from inner door panel.		
9	Unhook control cable from inside door opener		
10	Disconnect electrical connectors from door lining (4) and lay down door lining (4)		
<b>Check</b>	<b>Check</b>		
11	Check insulating mat and clip retainers (9)	<b>i</b> Replace damaged insulating mat and clip retainers.	
12	Install in the reverse order	<b>i</b> <b>Installation:</b> Remove clip retainers still on inner door panel (9) and install at corresponding point on door lining.	



110 589 03 59 00

Mounting wedge