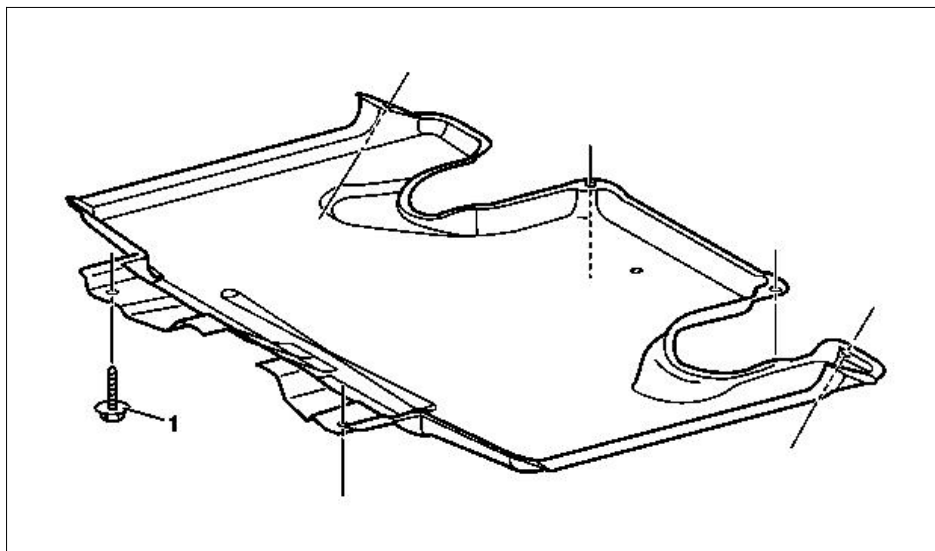


MODEL 215, 220

Vehicles with gasoline engine

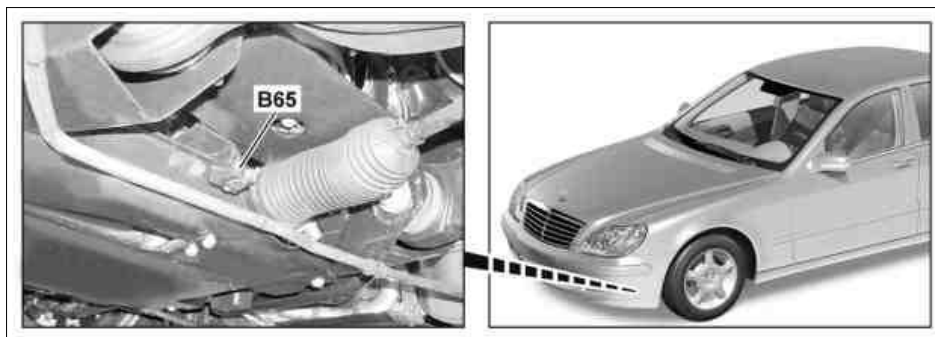
Rear engine compartment paneling

1 Screw



P61.20-2003-05

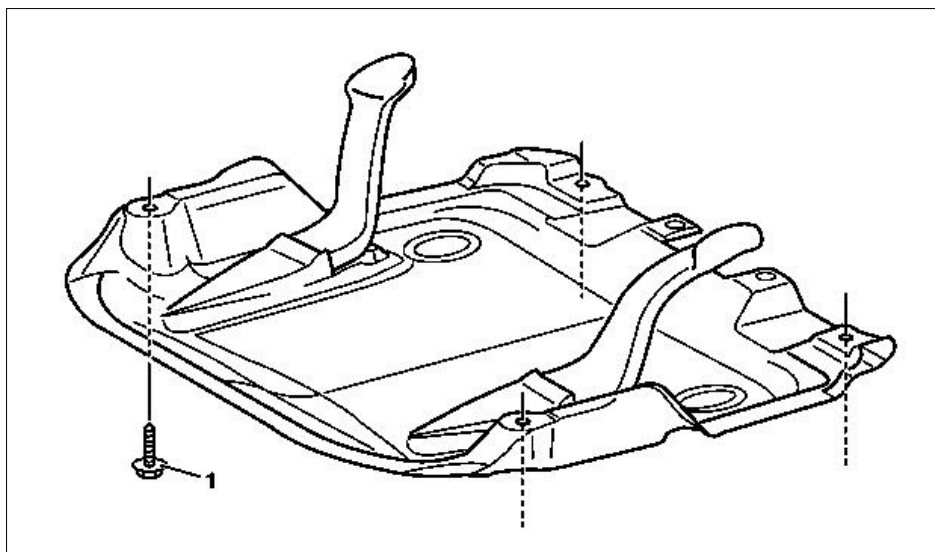
B65 Engine fire extinguishing system temperature sensor



P86.10-2250-04

Center engine compartment paneling

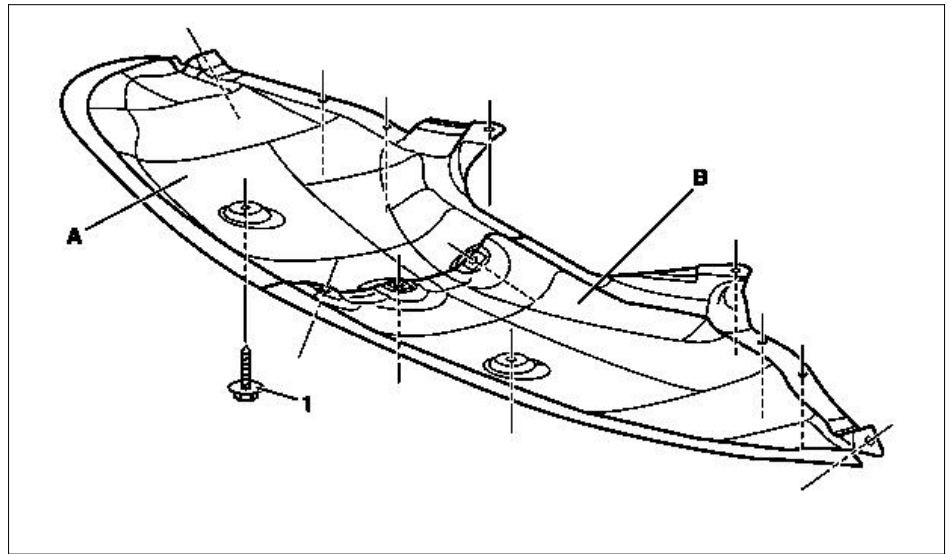
1 Screw



P61.20-2002-05

Front engine compartment paneling

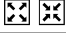


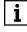
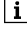
- 1 Screw
- A Front right engine compartment paneling
- B Front left engine compartment paneling



P61.20-2001-05

Modification notes

30.10.07	Remove fire extinguishing system motor temperature sensor from center engine compartment paneling, newly included	Step 2	
----------	---	--------	--

	Remove/install		
 Danger!	Risk of death caused by vehicle slipping or toppling off of the lifting platform.	Align vehicle between columns of vehicle lift and position four support plates at vehicle lift support points specified by vehicle manufacturer.	AS00.00-Z-0010-01A
1	Raise vehicle with vehicle lift		
2	Remove fire extinguisher system motor temperature sensor (B65) from center engine compartment paneling	Vehicles with fire extinguishing system  Failure to observe can lead to actuation of fire extinguishing system ! Model 220.1/8 up to 14.4.04 with fire extinguishing system Model 220.1/8 as of 15.4.04 with fire extinguishing system	AR86.10-P-0102MBA AR86.10-P-0102MBC
3	Remove bolts (1) and remove lower engine compartment paneling	 Removal sequence: <ul style="list-style-type: none"> ● rear engine compartment paneling ● center engine compartment paneling ● front right engine compartment paneling (A) ● front left engine compartment paneling (B).  Installation: Install front right and left engine compartment paneling (A, B) so that the rubber lips are covered by the bumper.	
4	Install in the reverse order		