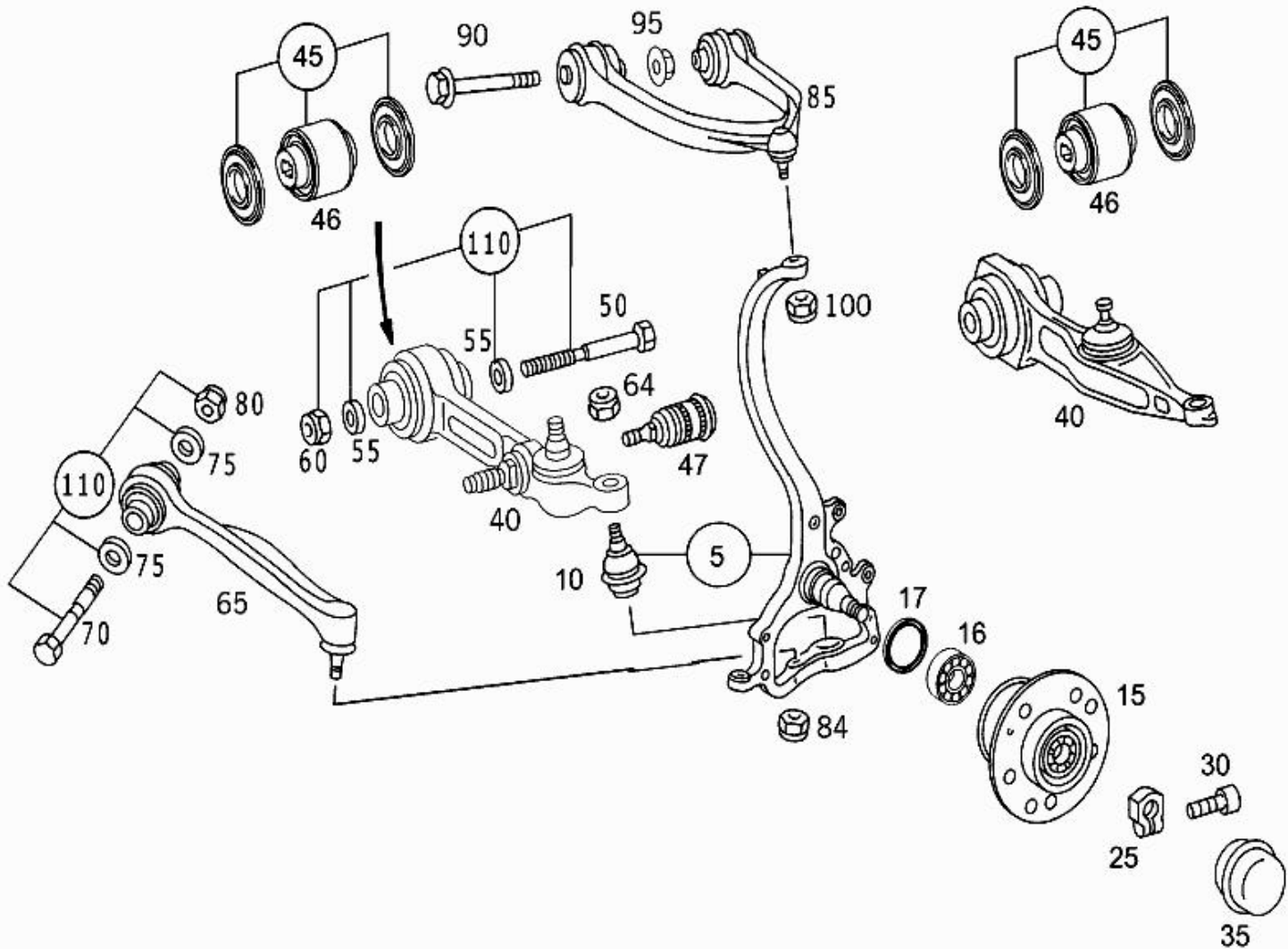



- Picture -

Mode	MD mode	Mod. des. overview	S-SEDAN LONG WHEELBASE USA
FIN/MD	WDB 2201701A187200	Catalog	65T
VIN	WDBNG70J11A187200	Major assembly:	
Sales designation	S 430	Major assembly MD	
Assortment class	Car	Group	33 - FRONT AXLE
Market	North America	Subgroup	030 - STEERING KNUCKLE AND CONTROL ARM
Picture number	B33030000051.100427		



- Parts list -

Mode	MD mode	Mod. des. overview	S-SEDAN LONG WHEELBASE USA
FIN/MD	WDB 2201701A187200	Catalog	65T
VIN	WDBNG70J11A187200	Major assembly:	
Sales designation	S 430	Major assembly MD	
Assortment class	Car	Group	33 - FRONT AXLE
Market	North America	Subgroup	030 - STEERING KNUCKLE AND CONTROL ARM

Item no.	Part number	Designation/description	Quantity	Version
5	A 220 330 37 20	STEERING KNUCKLE LEFT Code: -Z04	001	
5	A 220 330 38 20	STEERING KNUCKLE RIGHT Code: -Z04	001	
10	A 220 333 07 27	. SUPPORTING JOINT LEFT	001	
10	A 220 333 07 27	. SUPPORTING JOINT RIGHT	001	
15	A 220 330 07 25	FRONT WHEEL HUB WITH BEARING	002	
16	A 002 980 65 02	. TAPERED ROLLER BEARING WHEEL HUB, OUTSIDE Code: -Z07	002	
16	A 140 981 03 05	. TAPERED ROLLER BEARING WHEEL HUB, INSIDE Code: -Z07	002	
17	A 022 997 97 47	. SEAL RING WHEEL HUB Code: -Z07	002	
25	A 116 334 03 72	NUT FRONT WHEEL HUB TO STEERING KNUCKLE	002	
30	N 000000 003358	HEXALOBULAR BOLT FRONT WHEEL HUB TO STEERING KNUCKLE M6X25	002	
35	A 168 357 00 89	PLUG FRONT WHEEL HUB TO STEERING KNUCKLE	002	
40	A 220 330 89 07	TRANSVERSE CONTROL ARM BOTTOM LEFT Code: -487-Z07	001	
40	A 220 330 90 07	TRANSVERSE CONTROL ARM BOTTOM RIGHT Code: -487-Z07	001	
45	A 220 330 91 07	. TS SPRING LINK PARTS KIT LEFT AND RIGHT Code: -Z07  [408] ONLY REPLACEABLE BY PAIRS	002	
46	A 220 333 31 14	. BEARING SPRING CONTROL ARM Code: -Z07	002	
47	A 211 323 00 68	. JOINT LEFT	001	
47	A 211 323 00 68	. JOINT RIGHT	001	
50	A 220 333 00 71	BOLT SPRING CONTROL ARM AT FRAME M14X1.5	002	
50	A 220 333 01 71	FITTED BOLT FOR ADJUSTING WORK ONLY M14X1.5	002	
55	A 220 333 00 76	SPACER DISK SPRING CONTROL ARM AT FRAME	004	
60	N 000000 003281	HEXAGON NUT SPRING CONTROL ARM AT FRAME M14X1,5	002	

64	N 000000 003281	HEXAGON NUT SPRING LINK ON SUPPORTING JOINT M14X1,5	002
65	A 220 330 57 11	STRUT LEFT	001
65	A 220 330 58 11	STRUT RIGHT	001
70	A 220 333 00 71	BOLT STRUT AT FRAME M14X1.5	002
70	A 220 333 01 71	FITTED BOLT FOR ADJUSTING WORK ONLY M14X1.5	002
75	A 220 333 00 76	SPACER DISK STRUT AT FRAME	004
80	N 000000 003281	HEXAGON NUT STRUT AT FRAME M14X1,5	002
84	N 000000 003281	HEXAGON NUT STRUT TO STEERING KNUCKLE M14X1,5	002
85	A 220 330 93 07	TRANSVERSE CONTROL ARM TOP, LEFT	001
85	A 220 330 94 07	TRANSVERSE CONTROL ARM TOP, RIGHT	001
90	A 004 990 81 04	BOLT UPPER CONTROL ARM TO FRAME M10X95	004
95	N 913023 010002	NUT UPPER CONTROL ARM TO FRAME M10	004
100	N 910113 010000	HEXAGON NUT UPPER TRANSVERSE CONTROL ARM TO STEERING KNUCKLE M10	002
110	A 000 330 00 18	TS BOLT PARTS KIT FOR ADJUSTING WORK ONLY	004