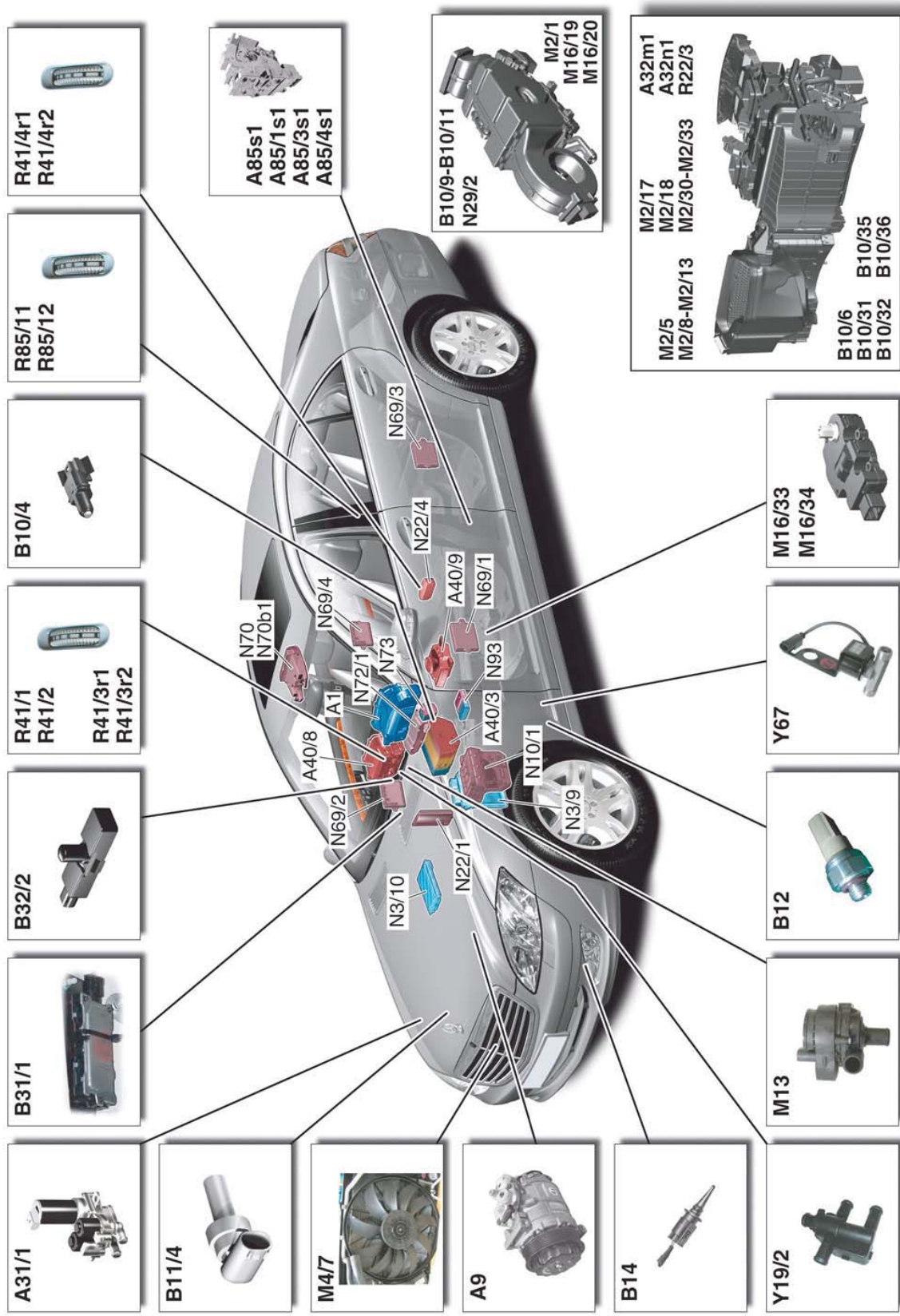


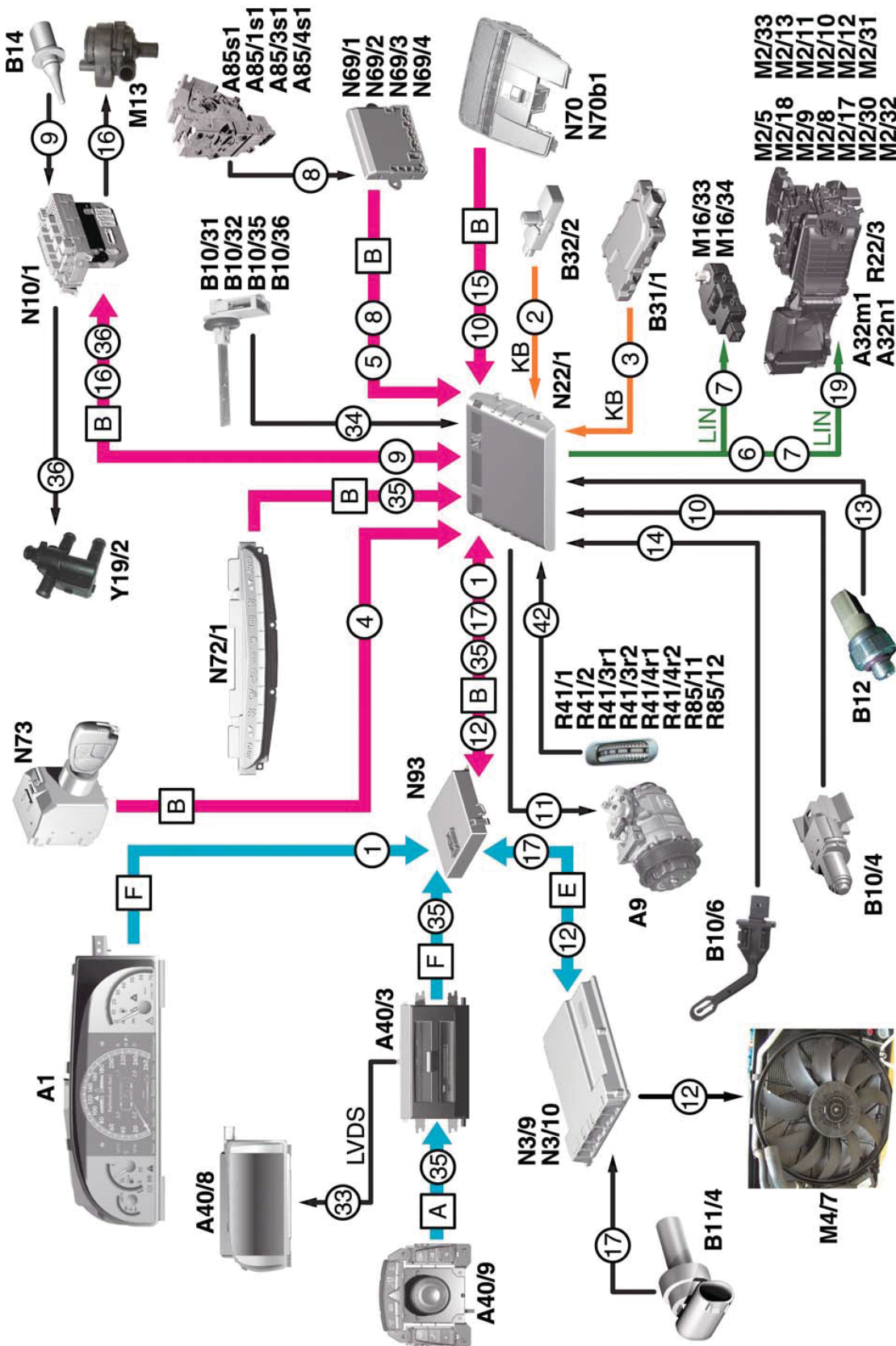
System overview



P83-40-3316-00

Shown with code 581 / Legend see page 12 onwards

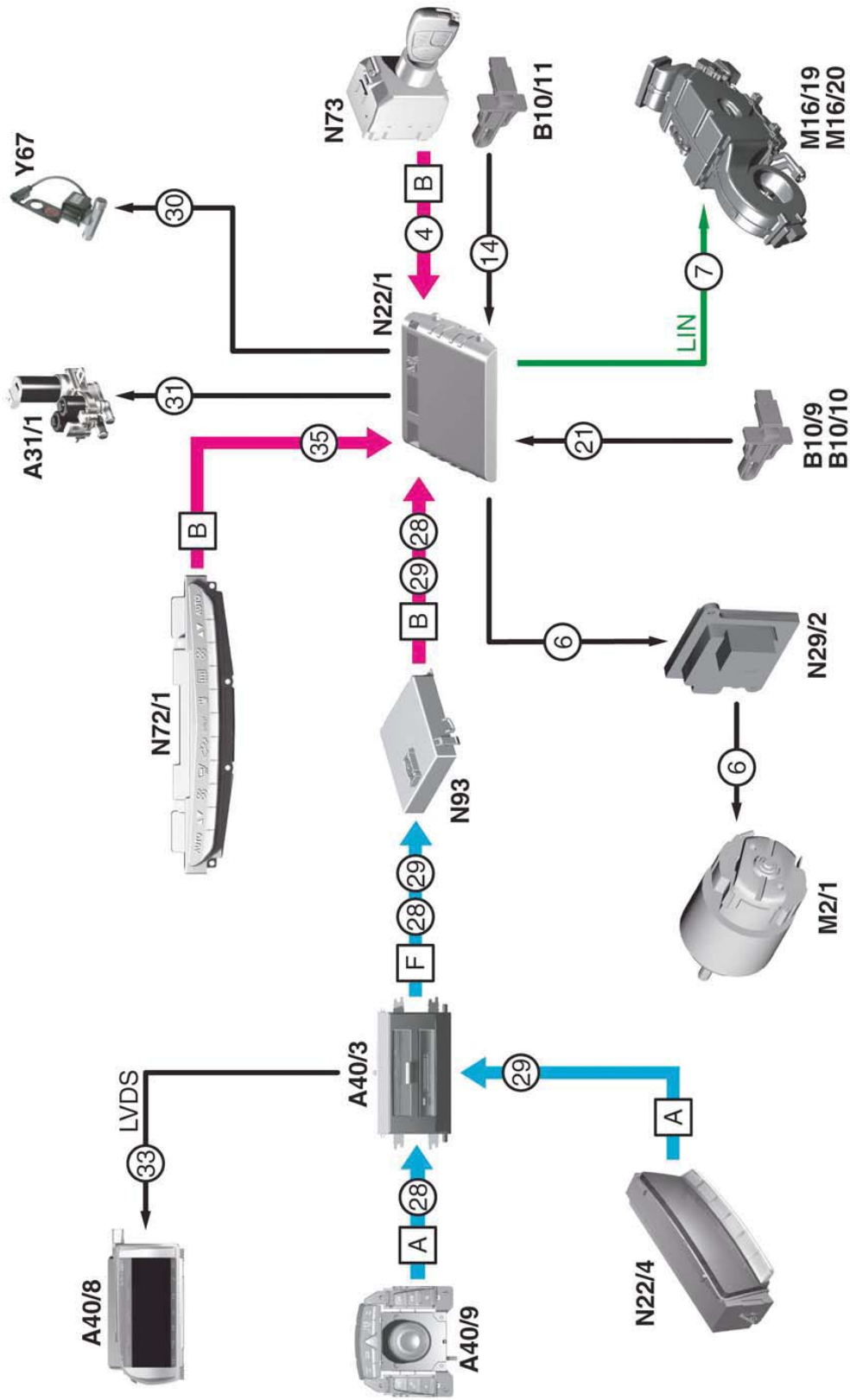
# System overview/front air conditioning



P83-40-3317-00

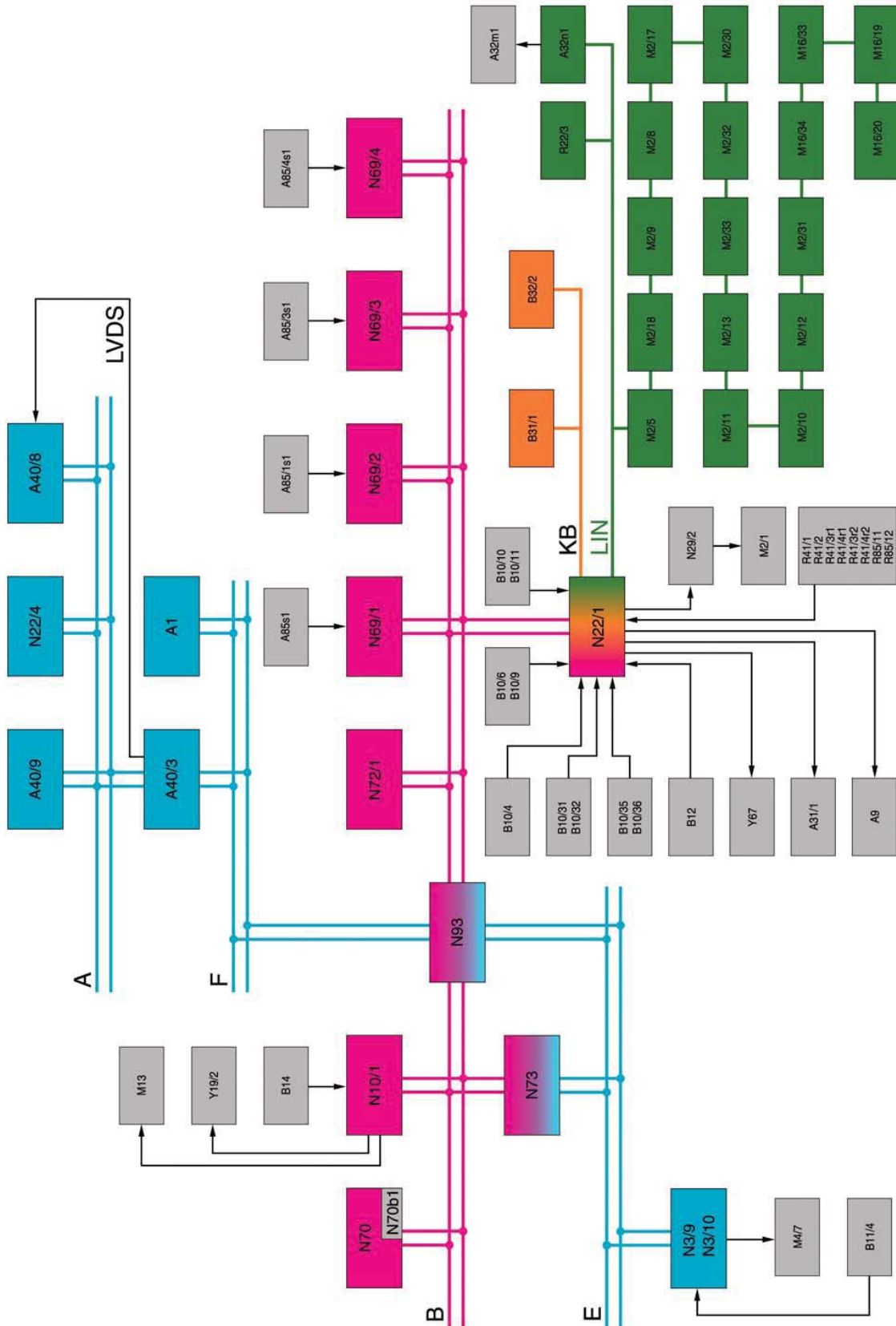
Shown with code 58 1 / Legend see page 12 onwards

# System overview/rear air conditioning



P83.40-3318-00

Shown with code 581 / Legend see page 12 onwards



P83.40-3325-00

Shown with code 58 1 / Legend see page 12 onwards

## System overview

1	Vehicle speed signal	A	Telematics CAN	B10/4	In-car temperature sensor
2	Solar radiation	B	Interior CAN	B10/6	Evaporator temperature sensor
3	Pollutants	E	Vehicle CAN	B10/9	Left rear ACC heater core temperature sensor
4	Battery voltage/circuit status	F	Central CAN	B10/10	Right rear ACC heater core temperature sensor
5	Window position	KB	HVAC bus		
6	Actuation of engine blower regulator	LIN	Local interconnect network		
7	Actuation of air flap actuator motors	LVDS	Low voltage differential signal		
8	Door status				
9	Outside temperature				
10	Interior temperature	A1	Instrument cluster		
11	Actuation of A/C compressor	A9	A/C compressor	B10/11	Rear ACC evaporator temperature sensor
12	Actuation of cooling fan	A31/1	Rear auxiliary heating system delivery unit	B10/31	Left side outlet temperature sensor
13	Refrigerant pressure	A32m1	Blower motor	B10/32	Right side outlet temperature sensor
14	Evaporator temperature	A32n1	Blower regulator	B10/35	Left footwell temperature sensor
15	Tilting/sliding roof position	A40/3	COMMAND control module	B10/36	Right footwell temperature sensor
16	Actuation of coolant circulation pump	A40/8	COMMAND display	B11/4	Engine coolant temperature sensor
17	Coolant temperature	A40/9	Front central operating unit	B12	Refrigerant pressure sensor
19	N/A	A85s1	Left front rotary tumbler switch	B14	Outside temperature display temperature sensor
21	Left and right heater core temperature	A85/1s1	Right front rotary tumbler switch		
28	Rear ACC remote control	A85/3s1	Left rear rotary tumbler switch	B31/1	ACC multifunction sensor
29	Rear ACC controls	A85/4s1	Right rear rotary tumbler switch	B32/2	ACC sun sensor (4 in total)
30	Actuation of refrigerant shutoff valve				
31	Actuation of rear water pump with pulsed valve				
33	Settings display				
34	Air outlets temperature				
35	Control command				
36	Actuation of ACC water valve				
42	Position of air outlets selector wheel				



M2/1	Rear blower motor	N3/9	Non-US component	R22/3	Non-US component
M2/5	Fresh air/air recirculation flaps actuator motor	N3/10 N10/1	ME-SFI control module Front SAM control module with fuse and relay module	R41/1 R41/2 R41/3r1 R41/3r2	Left side air outlet potentiometer Right side air outlet potentiometer Left front center air outlet potentiometer Right front center air outlet potentiometer
M2/8	Left defroster vent flap actuator motor	N22/1	ACC control module	R41/4r1	Left rear center air outlet potentiometer
M2/9	Right defroster vent flap actuator motor	N22/4	Rear ACC control panel control module	R41/4r2	Right rear center air outlet potentiometer
M2/10	Left footwell flap actuator motor	N29/2	Rear ACC electronic blower controller	R85/11	Left B-pillar air outlet potentiometer
M2/11	Right footwell flap actuator motor	N69/1	Left front door control module	R85/12	Right B-pillar air outlet potentiometer
M2/12	Left center air flap actuator motor	N69/2	Right front door control module	Y19/2	ACC water valve
M2/13	Right center air flap actuator motor	N69/3	Left rear door control module	Y67	Rear ACC refrigerant shutoff valve
M2/17	Left side outlet flap actuator motor	N69/4	Right rear door control module		
M2/18	Right side outlet flap actuator motor	N70	Overhead control panel control module		
M2/30	Upper left blending air flap actuator motor	N70b1	In-car temperature sensor		
M2/31	Lower left blending air flap actuator motor	N72/1	Upper/ACC control panel control module		
M2/32	Upper right blending air flap actuator motor	N73	EIS control module		
M2/33	Lower right blending air flap actuator motor	N93	Central gateway control module		
M4/7	Engine and air conditioning electric suction fan with integrated control				
M13	Coolant circulation pump				
M16/19	Left rear center air outlet actuator motor				
M16/20	Right rear center air outlet actuator motor				
M16/33	Left B-pillar air distribution actuator motor				
M16/34	Right B-pillar air distribution actuator motor				