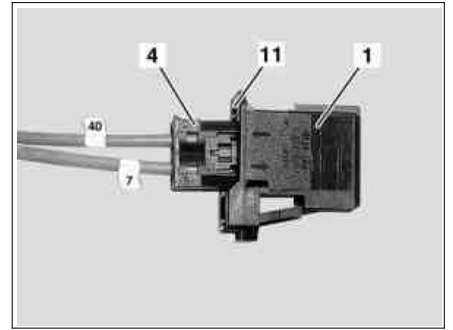


- 1 Push catch hook (11) at housing (1) outwards a little and unclip black 2-pin coupling (4) from housing (1).

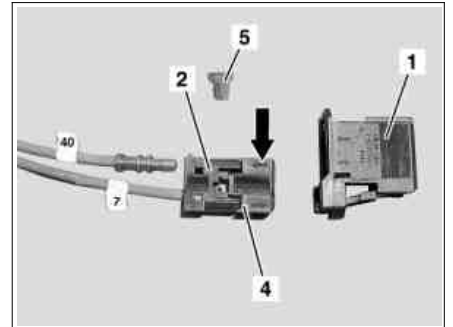
**i** Black 2-pin coupling (4) was connected to radio.



P82.70-4394-01

- 2 Remove blue retaining clip (5) from black 2-pin coupling (4) and remove fiber optic cable labeled 40 from output (arrow) of black 2-pin coupling (4).

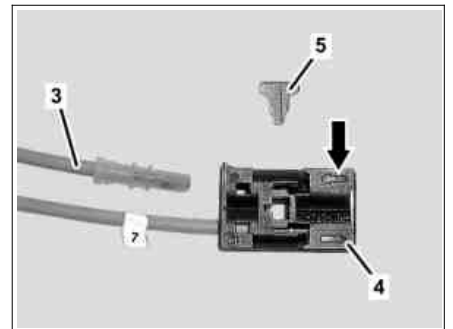
**i** The output and the input are each marked with an arrow on the black 2-pin coupling (4).



P82.70-4395-01

- 3 Insert new fiber optic cable (3) into output (arrow) of black 2-pin coupling (4) and secure with blue retaining clip (5).

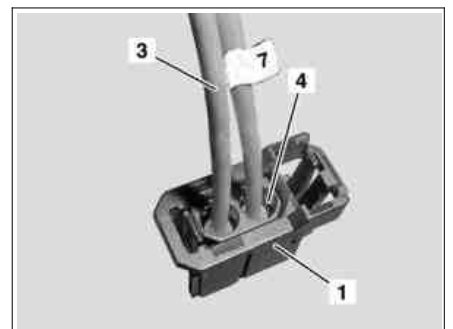
**i** The new fiber optic cable (3) must audibly engage in the black 2-pin coupling (4).



P82.64-2943-01

- 4 Clip black 2-pin coupling (4) into housing (1).

**i** Black 2-pin coupling must (4) audibly engage in housing (1).

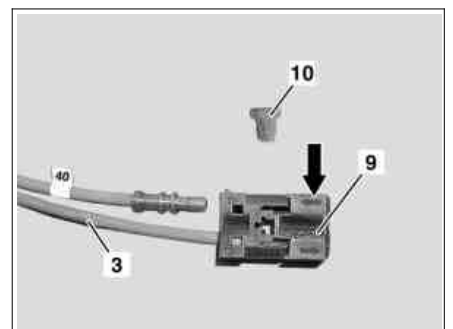


P82.70-4397-01

- 5 Remove blue retaining clip (10) from black 2-pin coupling (9) of new fiber optic cable (3).

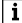
- 6 Insert fiber optic cable labeled 40 removed from black 2-pin coupling into output (arrow) of black 2-pin coupling (9) and secure with blue retaining clip (10).

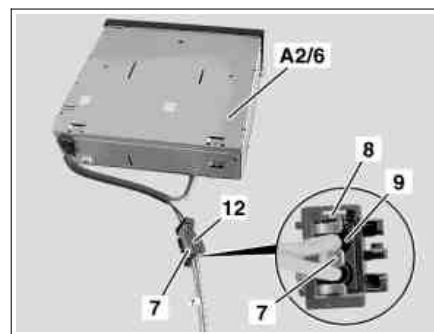
**i** The fiber optic cable labeled 40 must audibly engage.



P82.70-4398-01

- 7 Insert black 2-pin coupling (9) into fiber optic cable coupling (12) at CD changer (A2/6) and lock retaining bracket (7) as shown.

 The catch hook (8) must audibly engage.



P82.70-4399-01