

## Overview of fuses/relays

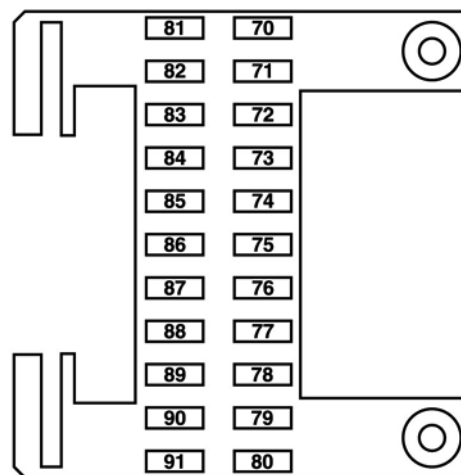
### Right instrument panel fuse box (F1/6)

#### Location

The right instrument panel fuse box (F1/6) is located in the dashboard on the passenger side.

#### Shutoff

The circuit 30g (switched) control modules are shut off via the vehicle power supply control module (N82/1)



### Circuit 30 fuse assignments

GF54.15-P-1256-12SX

Fuse	Designation	Amps
70	Right front door control module (N69/2)	40 A
71	Keyless Go control module (N69/5)	15 A
73	Not used	-
74	Not used	-
78	Not used	-
79	Alarm system horn with additional battery (H3/1)	7.5 A
80	Left front door control module (N69/1)	40 A
81	Left rear door control module (N69/3)	40 A
82	Right rear door control module (N69/4)	40 A
83	Intelligent servo module for direct select (N80)	30 A
90	Not used	-
91	Not used	-



## Overview of fuses/relays

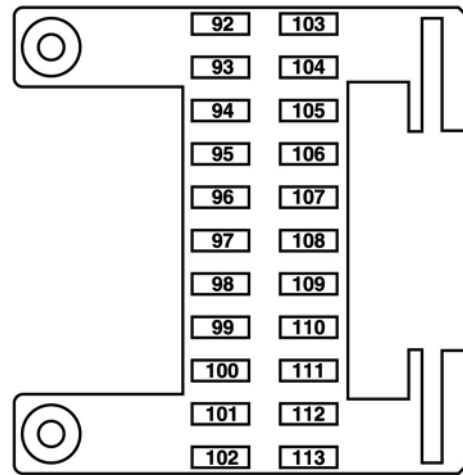
### Left instrument panel fuse box (F1/7)

#### Location

The right instrument panel fuse box (F1/7) is located in the dashboard on the passenger side.

#### Shutoff

The circuit 30g (switched) control modules are shut off via the vehicle power supply control module (N82/1)



### Circuit 30 fuse assignments

GF54.15-P-1256-13SX

Fuse	Designation	Amps
92	Left front seat control module (N32/1)	40 A
93	Weight sensing system control module (N2/13), restraint system control module (N2/7)	7.5 A
96	Tire pressure monitor control module (N88)	5 A
97	Not used	-
101	Not used	-
102	Right front seat control module (N32/2)	40 A
103	ESP control module (N47-5)	7.5 A
104	Audio tuner control module (N93/1)	40 A
106	Not used	-
107	SDAR control module (N87/5)	5 A
108	Rear ACC control module (N22/4)	5 A
109	Rear ACC electronic blower regulator (N29/2)	15 A
110	Left/right rear multicontour backrest control module (N32/20)/(N32/21)	7.5 A
111	Rear control panel control module (N72/2)	5 A
112	Left/right front door control module (N69/1)/(N69/2)	5 A